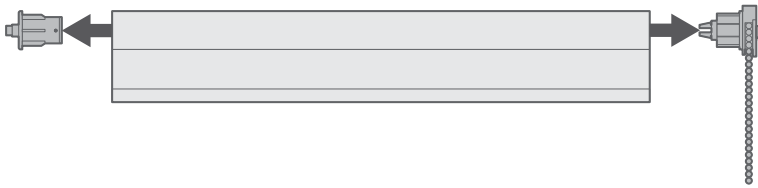




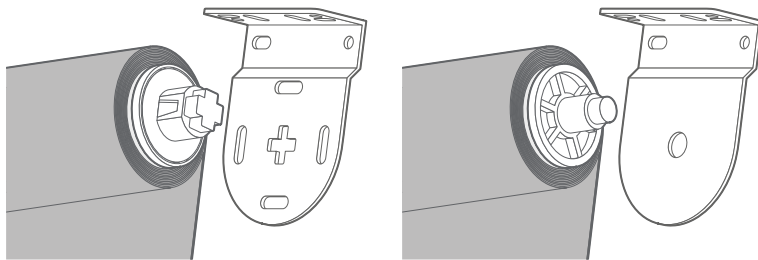
We've made a handy video version of this fitting guide, just click the play button to view it.

If you prefer to print the instructions or simply to follow step-by-step, just keep reading.

## Before you begin



We will have positioned the controls where you requested during the ordering process. However if you decide to swap the side that they are on, direction of the roll or need to trim the blind further, the controls can be removed by simply unplugging them from the tube. This should be done prior to fixing the brackets.

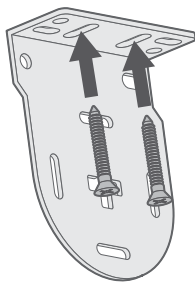


Note that the end opposite to the controls (the 'pin-end' or 'depression-end') can vary in style. As a general rule, smaller blinds will be sent with a cross-shaped pin-end, whilst wider blinds tend to come with a circular pin-end. The instructions below are the same for both designs.

## Fitting the brackets

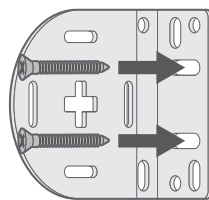
**1**

The brackets offer three methods of installation:



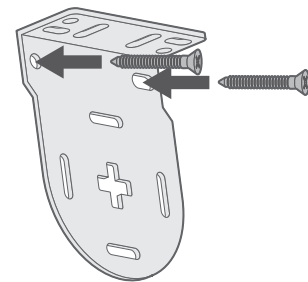
### Top-Fixing

Where the brackets are screwed into the lintel (or 'ceiling' of the recess)



### Face-Fixing

Where the brackets are screwed onto a facing surface (a wall or window frame)



### Side-Fixing

Where the brackets are screwed into the side walls of the recess

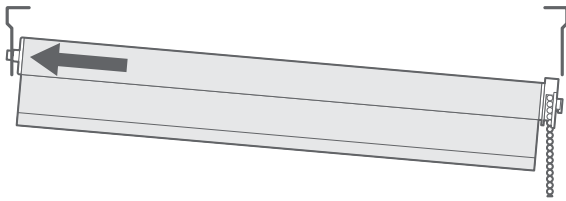
## Top Tip

Top-fixing or face-fixing are recommended for most installations, whereas **side-fixing is only recommended if the width you gave us was taken right at the top of the recess.**



**Fitting the blind**

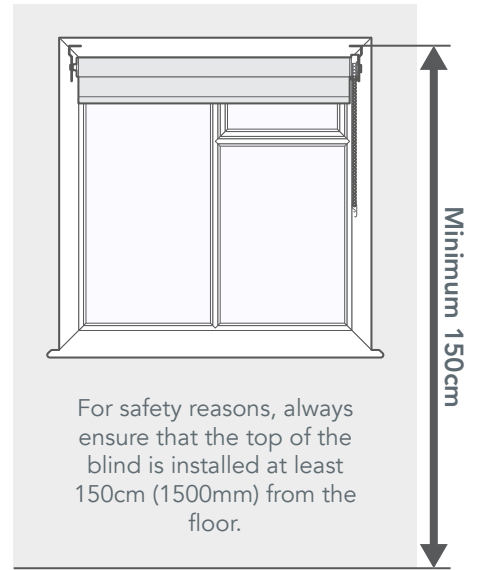
**2**



Locate the pin-end (the opposite end to the controls) of the blind into the central hole in the corresponding bracket.



Lift the control end of the blind and slot the rectangular 'lugs' into the corresponding slots on the bracket.

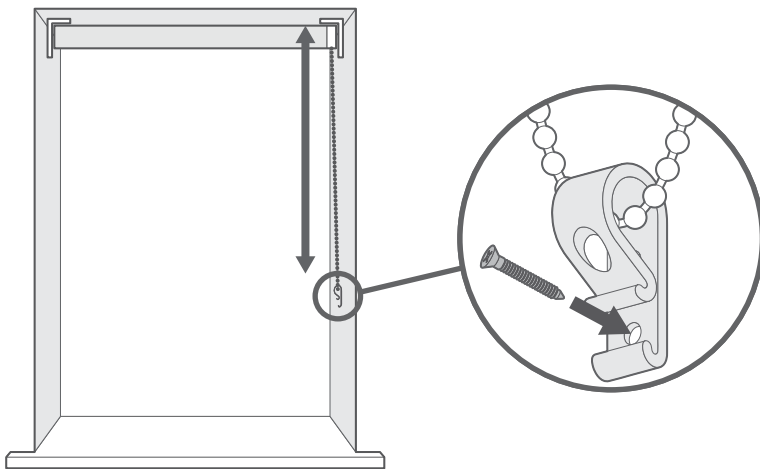


For safety reasons, always ensure that the top of the blind is installed at least 150cm (1500mm) from the floor.

**Cord Tensioner**

**Child Safety**

**3**



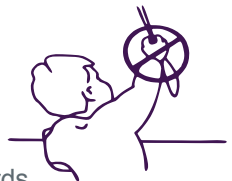
The cord retaining device must be installed at the maximum distance possible from the control mechanism to prevent looped cords from becoming slack.

Place the retaining device on the wall and mark the position of the screw hole(s) with a pencil.

Attach the retaining device to the wall using the fixings provided.



Young children can be strangled by loops in pull cords, chains, tapes and inner cords that operate the product.



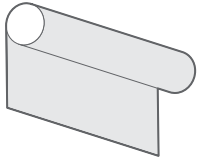
To avoid strangulation and entanglement, keep cords out of the reach of young children. Cords may become wrapped around a child's neck.

Move beds, cots and furniture away from window covering cords.

Do not tie cords together. Make sure cords do not twist and create a loop.

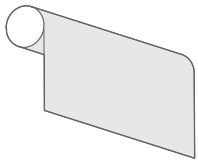
## Additional Information

### Reverse rolling the fabric



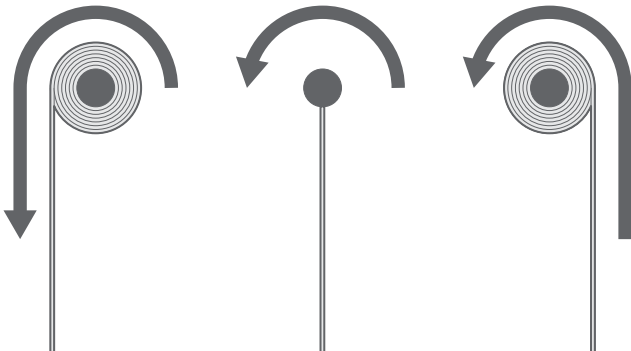
**Standard**

Roller blinds can have the fabric rolled onto the tube in two directions. The first is referred to as a 'standard' roll. This will place the fabric closest to the window or wall so that it comes down at the back of the tube. This is typically used with blackout blinds when they are mounted outside of a recess, the standard roll meaning that there is less light leakage.



**Reverse**

The second method is referred to as a 'reverse' roll, which places the fabric so that it comes down at the front of the tube, effectively hiding the roll. This method will allow clearance behind the fabric, for window handles and other obstructions, if you're mounting the blind inside a recess.



If you wish to change the roll method then it's easy; simply pull the back of the chain to lower the blind, and continue pulling until the metal tube is exposed. Keep going and the blind will begin to raise, with the fabric now rolling up over the front of the roller tube. Note that **this will reverse the direction you must pull the chain for raising and lowering the blind** (you'll now use the front of the chain to lower and the back of the chain to raise).