

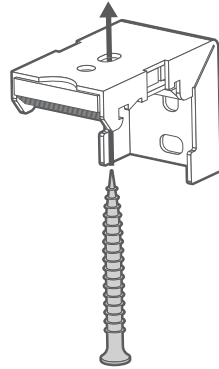
Fitting the brackets

1

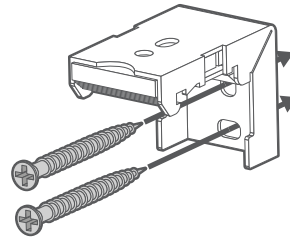
Standard finish

The brackets offer two methods of installation:

Top-Fixing



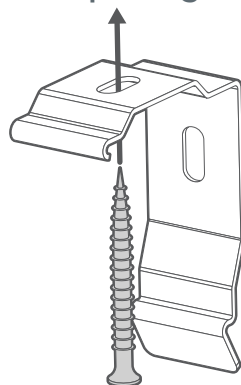
Face-Fixing



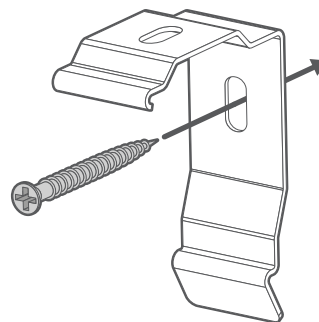
Cassette finish

These brackets also offer two methods of installation:

Top fixing



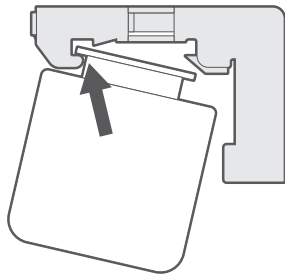
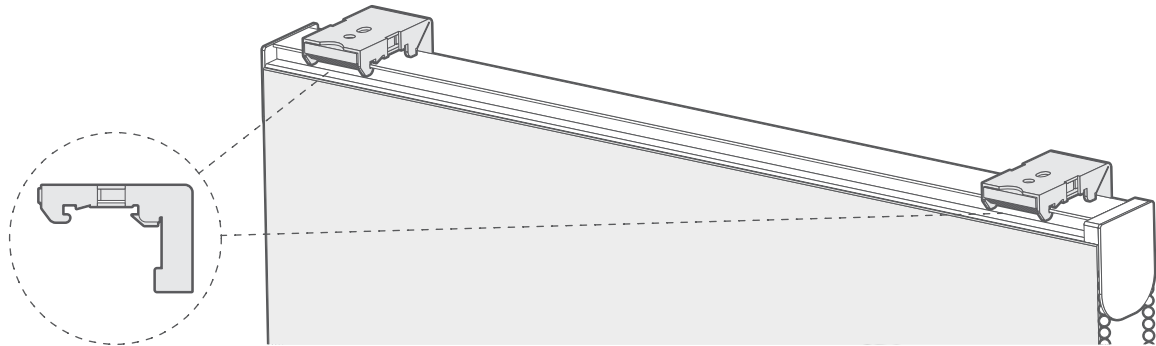
Face fixing



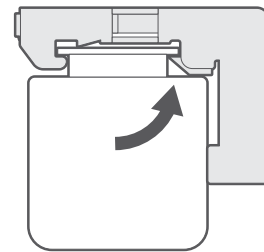
For both finishes, note that the position of the outermost brackets should be at least 5cm away from the ends of the rail, with any other brackets evenly distributed across the width.

Fitting the blind

Standard finish

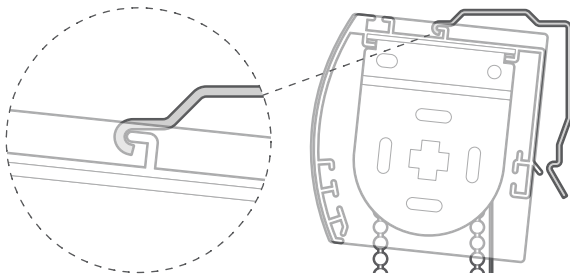
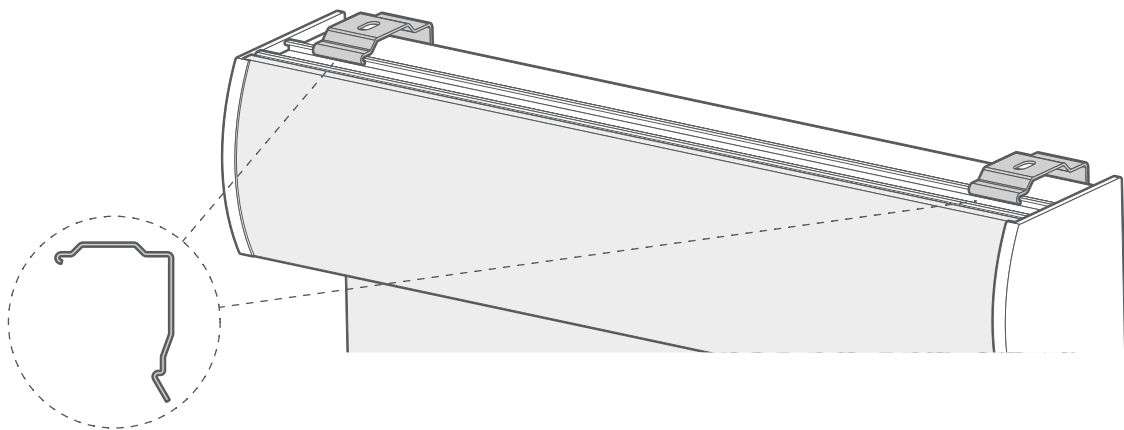


Situate the front lip of the headrail into the front of the bracket.

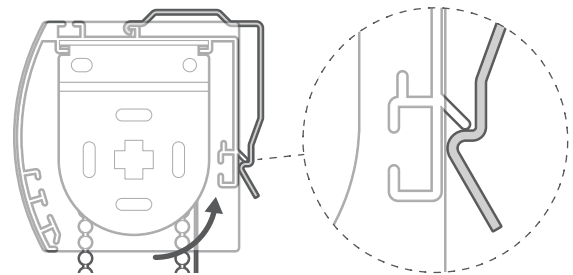


Push the back of the headrail upwards to lock it into the back of the bracket.

Cassette finish



To fit the cassette into the bracket, hold the cassette at an angle and locate the central 'lip' along the top of the cassette, onto the front 'hook' of the bracket.



Now raise the back of the cassette up and push up firmly into the brackets until you hear them 'snap' into place.

Child Safety



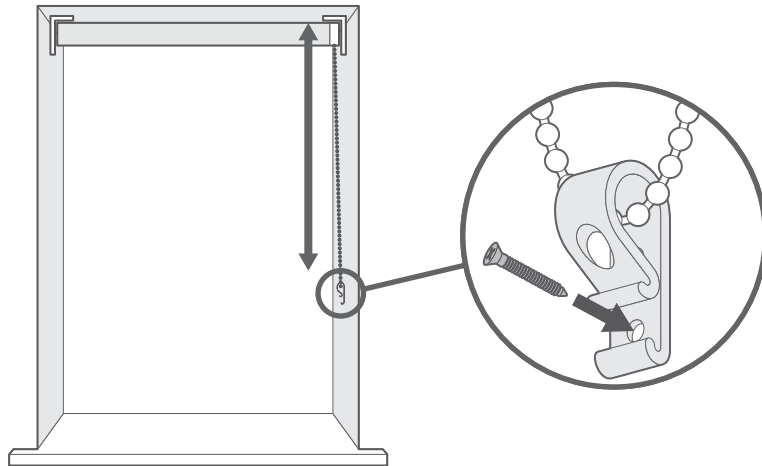
Young children can be strangled by loops in pull cords, chains, tapes and inner cords that operate the product.



To avoid strangulation and entanglement, keep cords out of the reach of young children. Cords may become wrapped around a child's neck.

Move beds, cots and furniture away from window covering cords.

Do not tie cords together. Make sure cords do not twist and create a loop.



The cord retaining device must be installed at the maximum distance possible from the control mechanism to prevent looped cords from becoming slack.

Place the retaining device on the wall and mark the position of the screw hole(s) with a pencil.

Attach the retaining device to the wall using the fixings provided.