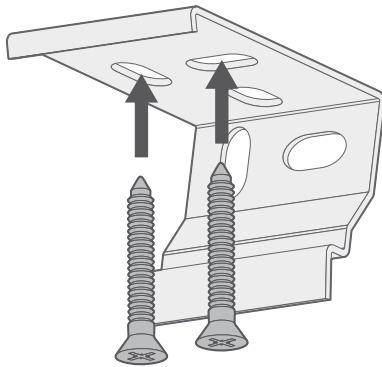


Fitting the brackets

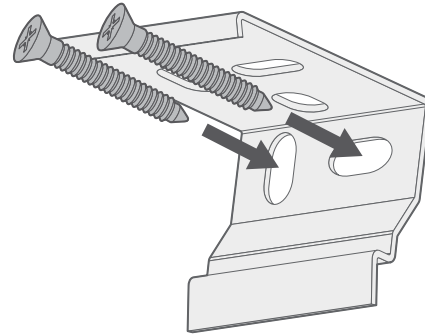
1

The brackets offer two methods of installation:



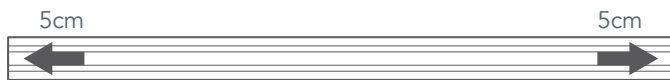
Top-Fixing

Use the **front two holes in the top of the bracket** to fix to the lintel (the 'ceiling' of the recess).

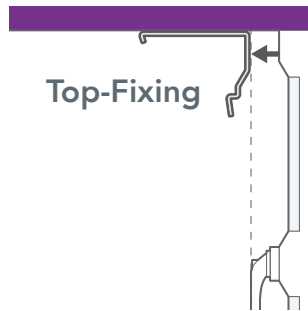


Face-Fixing

Use two screws through the back plate to mount onto a facing surface (a wall or window frame)



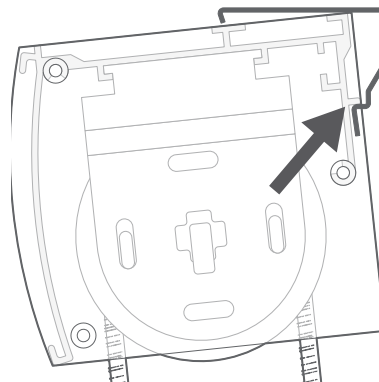
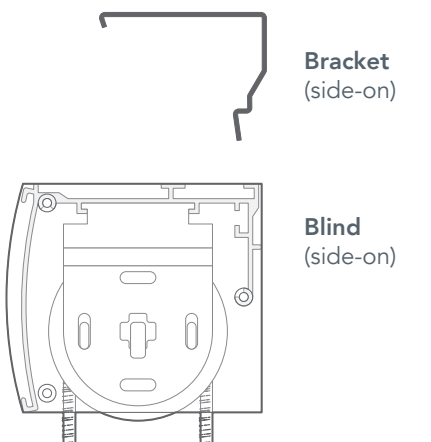
Note that the position of the outermost brackets should be at least 5cm away from the ends of the rail, with any other brackets evenly distributed across the width.



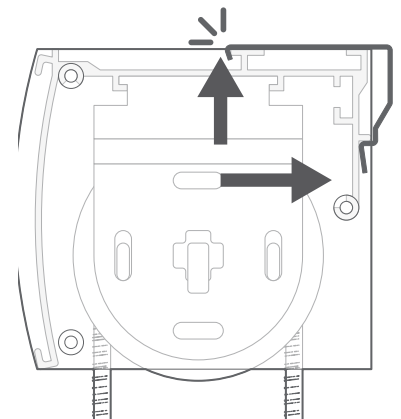
When top-fixing, ensure that the brackets are fitted at such a distance from the window frame that the back of the bracket is in front of any handles or vents on the window.

Fitting the blind

2



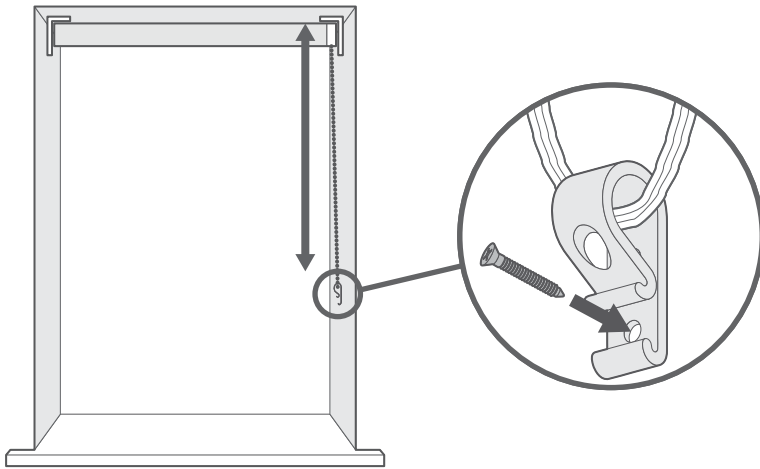
Holding the rail at an angle, situate the lip on the back of the cassette into the bottom lip of the bracket.



Push the headrail back against the bracket and up, until the top of the cassette clicks into the front hook of the bracket.

Cord Tensioner

Child Safety



The cord retaining device must be installed at the maximum distance possible from the control mechanism to prevent looped cords from becoming slack.

Place the retaining device on the wall and mark the position of the screw hole(s) with a pencil.

Attach the retaining device to the wall using the fixings provided.