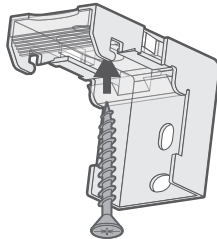


Fitting the brackets

1

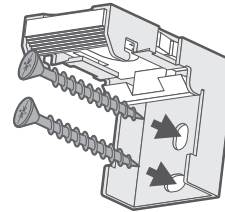
The brackets offer two methods of installation:

Top-Fixing

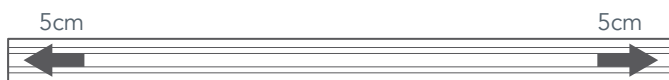


Where the brackets are screwed into the lintel (or 'ceiling' of the recess)

Face-Fixing



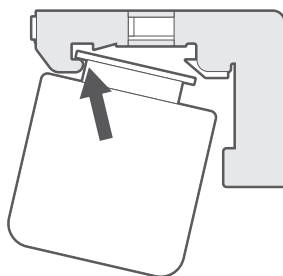
Where the brackets are screwed onto a facing surface (a wall or window frame)



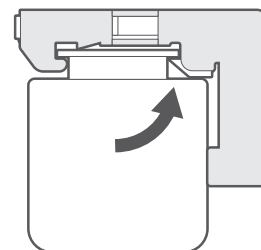
Note that the position of the outermost brackets should be at least 5cm away from the ends of the rail, with any other brackets evenly distributed across the width.

Fitting the blind

2



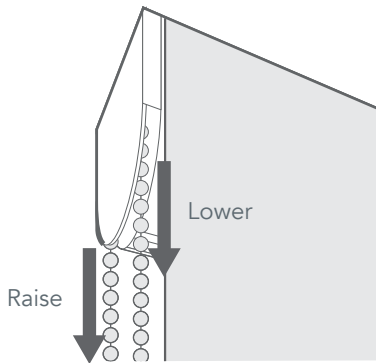
Situate the front lip of the headrail into the front of the bracket.



Push the back of the headrail upwards to lock it into the back of the bracket.

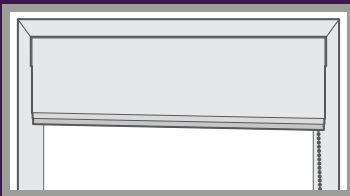
Operating the blind

3



Pull down on the front part of the chain to lower the blind, and pull down on the rear part of the chain to raise the blind.

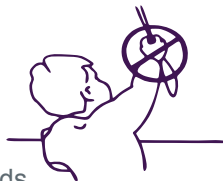
Top Tip



If you find at any point that the blind has fallen to one side, the likelihood is that this has been caused by a simple mix-up with the controls, in that they may have been pulled the wrong way to either raise or lower, which can cause the cords to roll up unevenly. To fix this, simply use the front of the chain to fully lower the blind, then continue pulling the chain until it raises to the top. The blind should even itself out as you do, and you can prevent the same issue occurring again by making sure the chain is always pulled in the correct direction from that point forward.



Young children can be strangled by loops in pull cords, chains, tapes and inner cords that operate the product.



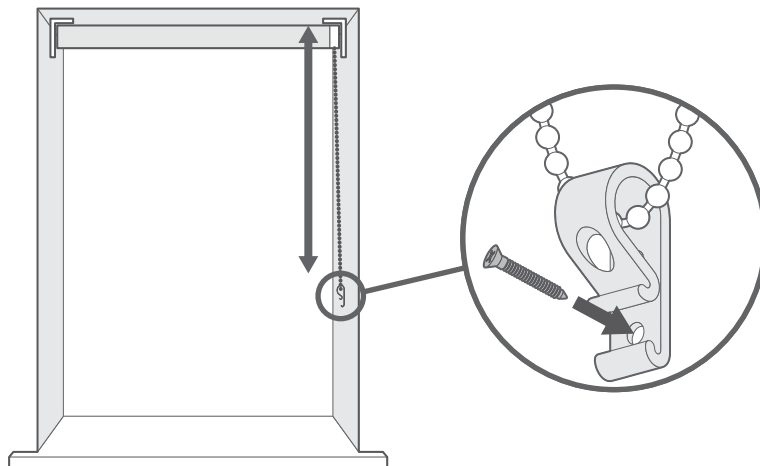
To avoid strangulation and entanglement, keep cords out of the reach of young children. Cords may become wrapped around a child's neck.

Move beds, cots and furniture away from window covering cords.

Do not tie cords together. Make sure cords do not twist and create a loop.

Child Safety

4



The cord retaining device must be installed at the maximum distance possible from the control mechanism to prevent looped cords from becoming slack.

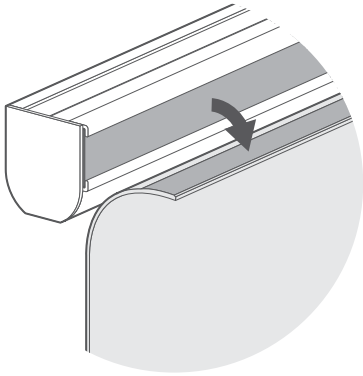
Place the retaining device on the wall and mark the position of the screw hole(s) with a pencil.

Attach the retaining device to the wall using the fixings provided.

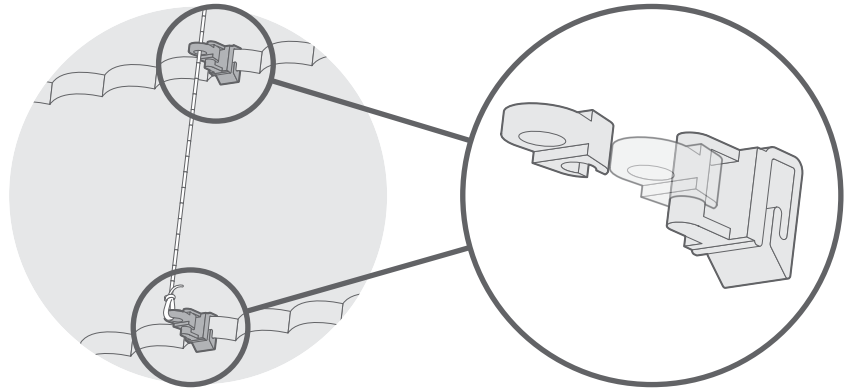
Additional Information

Removing the fabric for cleaning

If you need to remove the fabric, to take it to a dry-cleaner for example, then that's easy.



The fabric attaches at the front with velcro, simply peel the fabric away from the headrail.



At the back, the cords attach to the fabric using clips, which double as a child-safety feature. These clips are in two parts, and can be easily unclipped to separate the cords from the fabric.