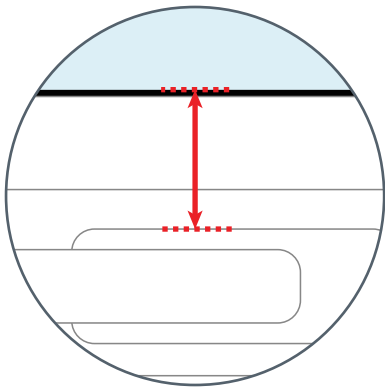


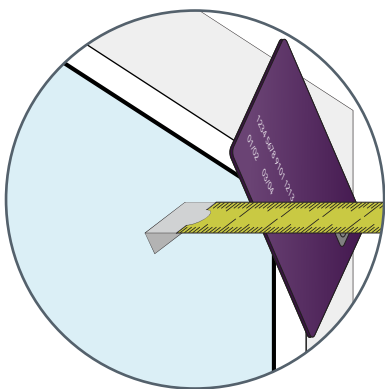
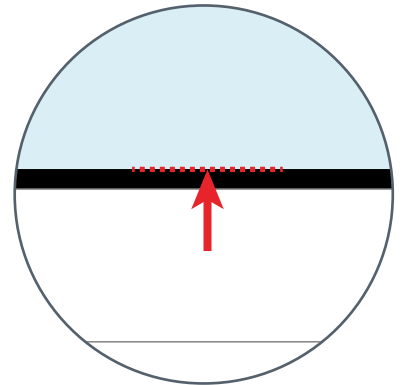
PerfectFIT Shutter Blinds

PerfectFIT blinds are specially designed for UPVC windows and doors with a rubber bead, and measuring for them couldn't be easier. All you need is a pen, a pad and a metal tape measure.

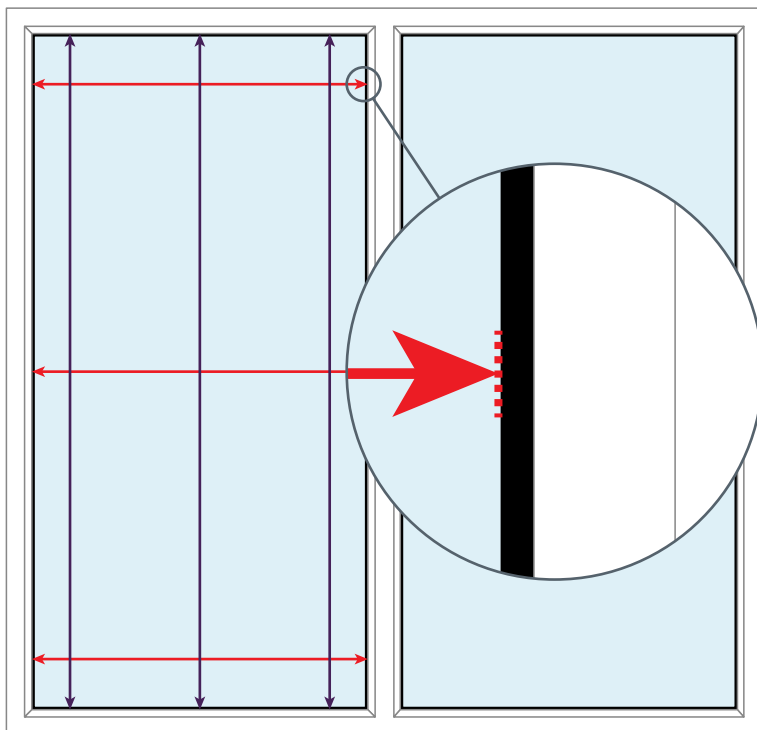


First, check the distance between the edge of the glass and any obstructions, such as window handles. **This should be more than 25mm.**

Check also that the rubber beading **does not extend into the glass area by more than 6mm.**



Next, **measure the depth of the window frame.** To do this, simply place a credit card over the corner of the frame and use a metal ruler to measure from the glass, out to the edge of the card. This measurement will usually be between 18 and 24mm.

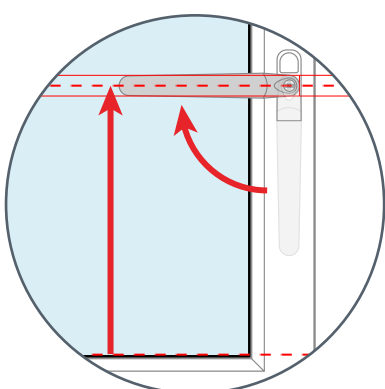


Then measure the visible glass area of each window and door. Measure from the inside edges of the frame where the glass meets the rubber bead. **You shouldn't include any of the beading or rubber seals in your measurements.** Measure the top, the middle and the bottom of the glass to the nearest mm and **note down the shortest measurement.**

Then simply repeat this step for the drop, measuring the left, the right and the centre. **Again, take a note of the shortest measurement.**

Top-Tip:

Don't forget to measure each window and door individually; don't assume that they're all the same size.



We'll also need to know where your window handle is in relation to the glass. Simply **turn your handle to its fully open position, paying attention to how the handle pivots on its mount.** Find the centre of the pivot point, and **measure from the edge of the glass to the centre of the handle's pivot point.** If your handle is at the bottom of the window, always measure from the left side of the glass. If the handle is on either the left or right, always measure from the bottom of the glass.

Top-Tip:

Different handle designs will pivot in different positions on their mounts, so always measure to the centre of the pivot point, not to the centre of the handle or the handle's mount.

