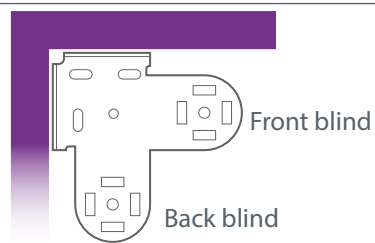


**Before commencing**

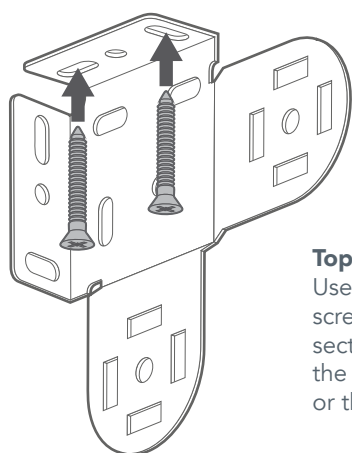
The front blind should be the one highest and closest to you, so make sure that when marking out where to put your brackets you have one round section pointing toward you and the other pointing down.



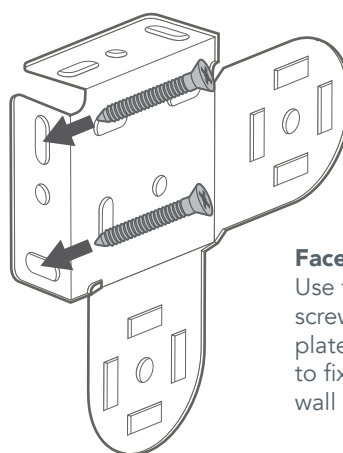
**1**

**Installing the brackets**

**2**



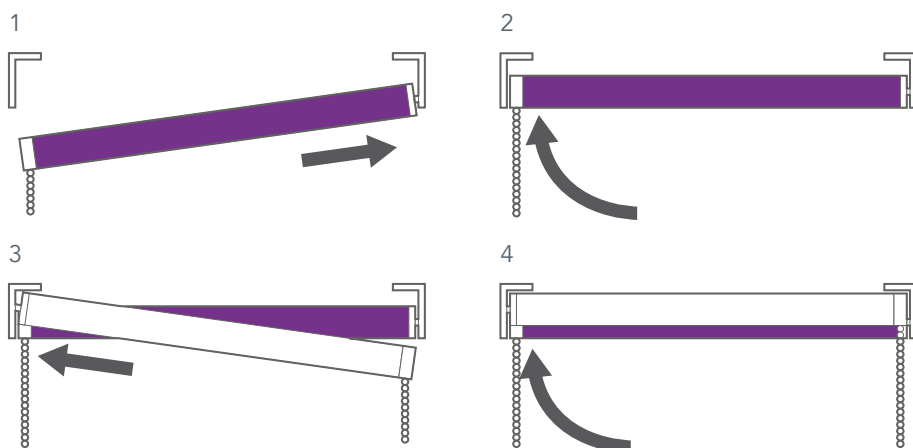
**Top-Fix**  
Use the two oval screw-holes in the top plate section of the bracket to fix the bracket into the ceiling or the top of the recess



**Face-Fix**  
Use the two oval screw-holes in the back plate section of the bracket to fix the bracket into the wall or window frame

**Install the blinds**

**3**



Install the rear blind first. Begin by slotting the 'pin' end into the circular hole in the bottom part of the bracket.

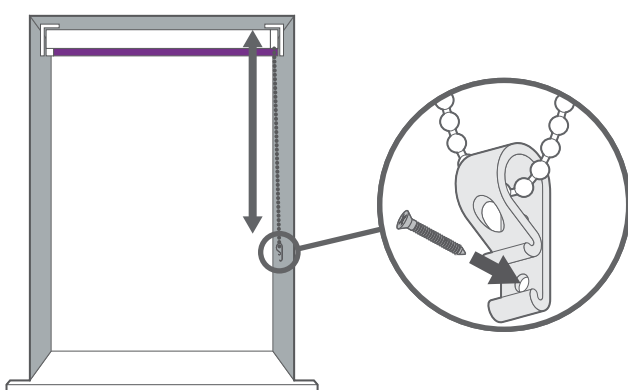
Lift the 'control' end and slot it up into the notches on its bracket, then push down on it gently to ensure it's fixed in securely.

Repeat the process for the front blind, starting with the pin at the opposite end to the rear blind.

**Child Safety Device Installation**

**4**

**Our blinds are provided as standard with a compliant child-safety device (cord-guide), which must be installed.** This is designed to ensure that the operating cords cannot form a loop equal to or greater than 220mm, less than 1600mm from floor level, safely preventing any risk of accidental strangulation.



Hold the device against the wall and mark the location of the screw-holes with a pencil.

The cord must be taut, to ensure that should the device be less than 1600mm from floor level, a loop of 220mm length or greater cannot form.

Attach the cord-guide securely to the wall using the fixings provided.

It is designed in such a way that, so long as the cord is taut, the cord cannot be removed without removing the device.