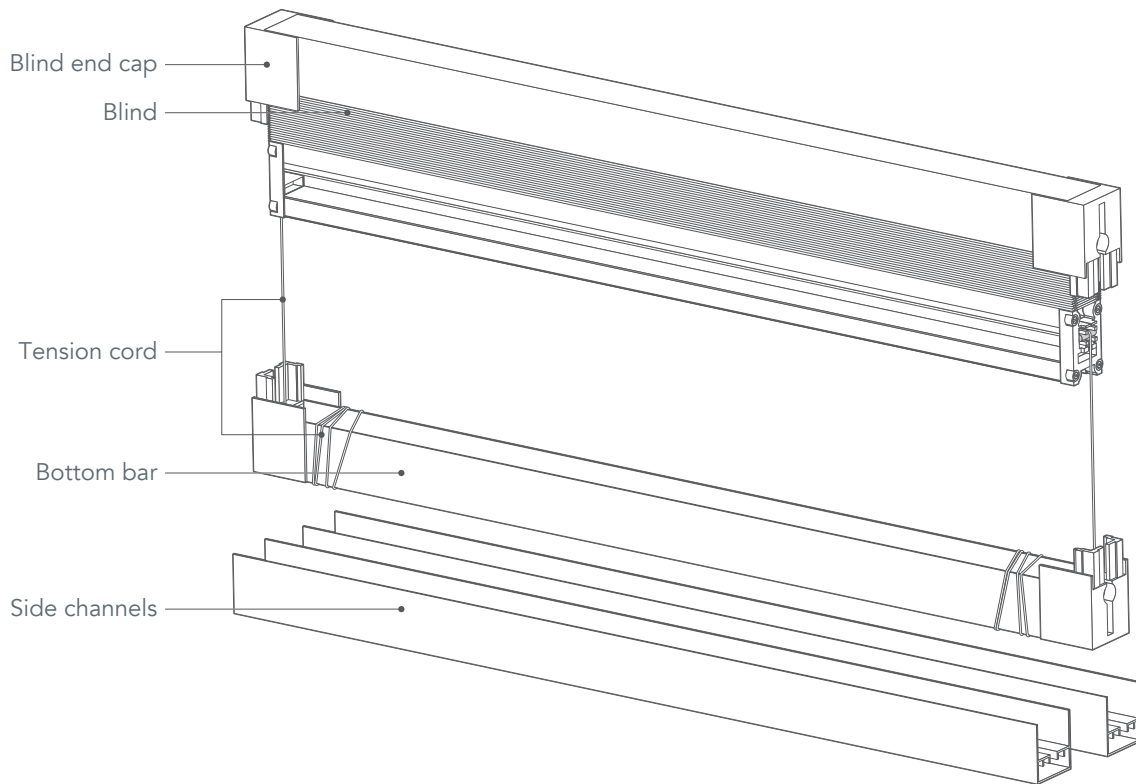
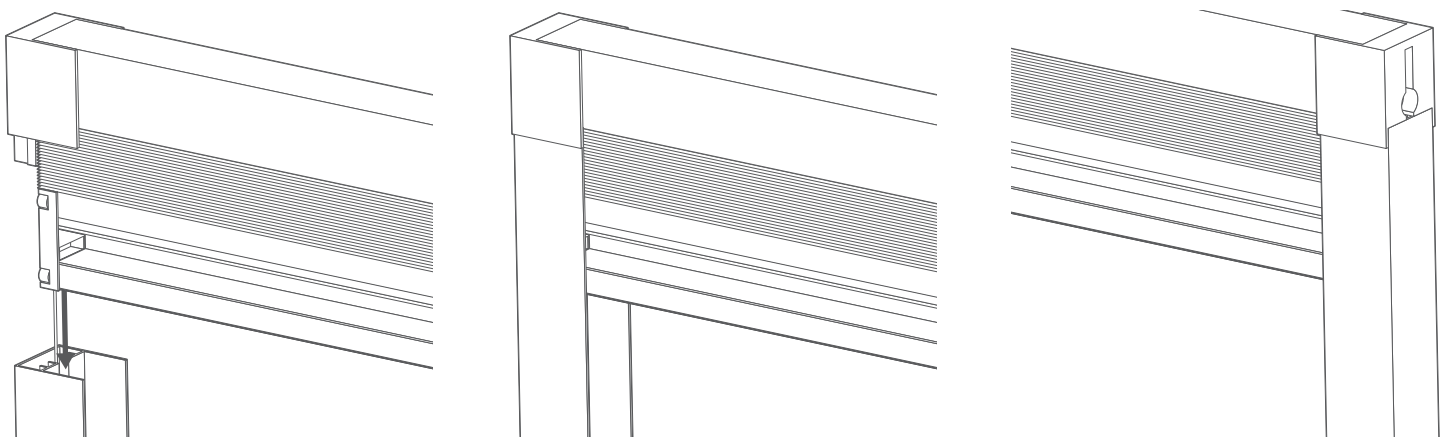


Attach the side channels

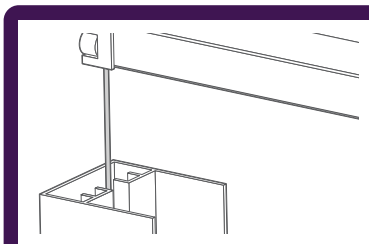
1



When you first unpack the blind you'll find that the side channels are packed separately and that the blind and its bottom bar are connected by the tension cords, with the cords wrapped around the bottom bar. Put the channels to one side, then unwrap the cord and spread out the blind and bottom bar.

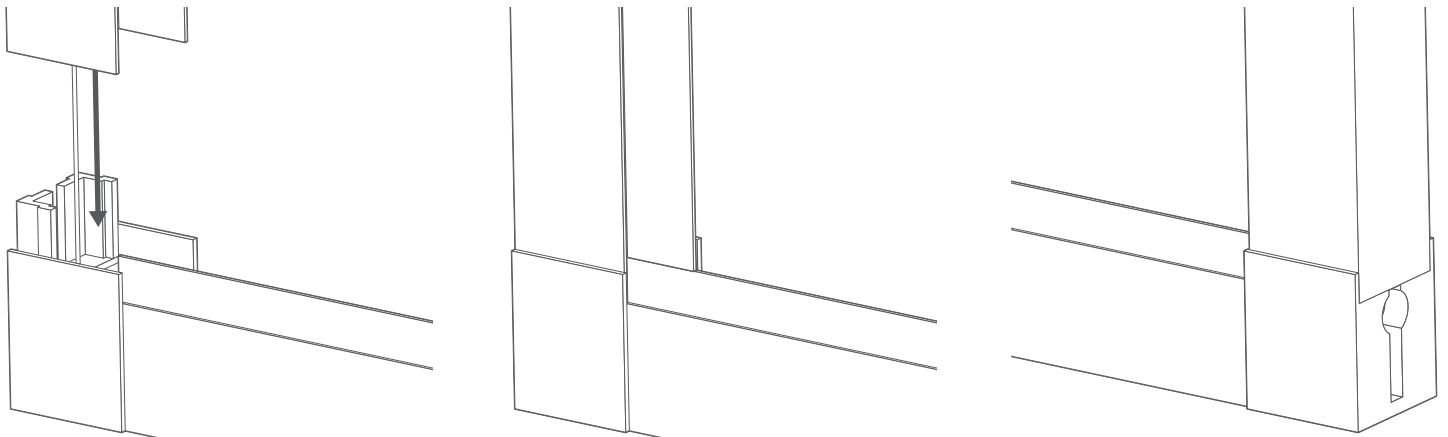


Slot the side channels onto the caps at either end of the blind, so that the blind runs down the insides of the channels.



Top Tip

Ensure that the cords hanging from the blind's end caps also runs down the insides of the channels and are not trapped or caught when you slot the channels in place.

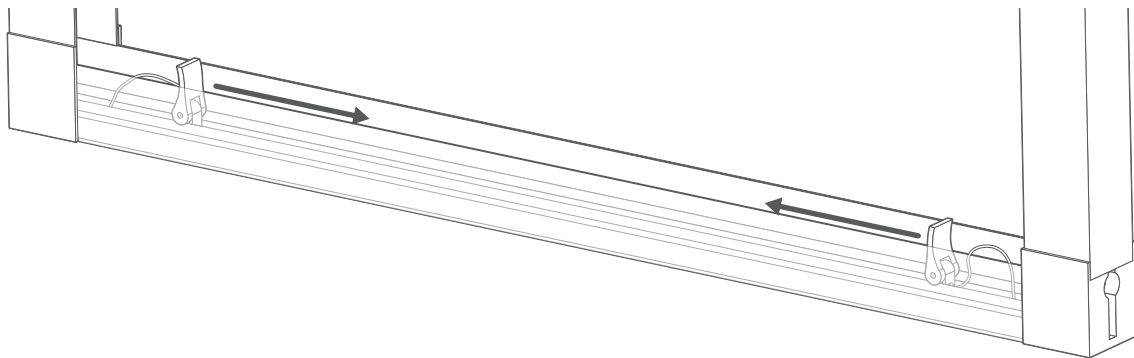


Next slot the bottom bar into the bottoms of the side channels in the same way as you did at the top.

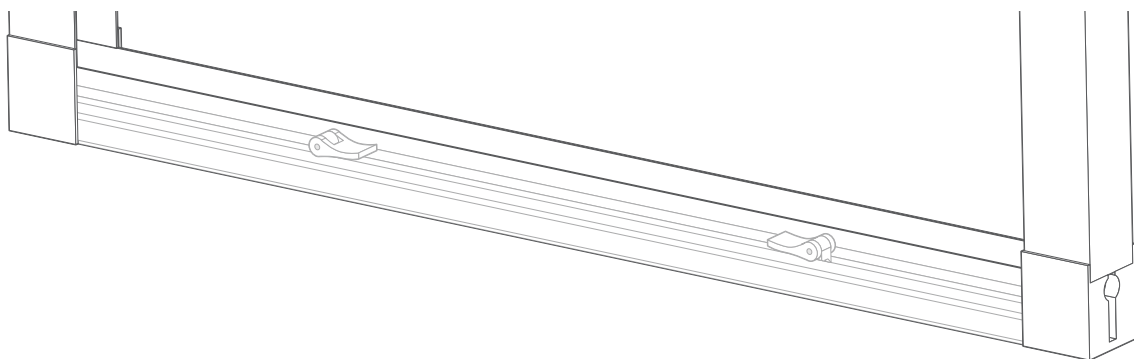
Set the cord tension

2

Lay the blind down on its back, on a flat surface. Inside the bottom bar are two clips, to which the ends of the tension cords are tied.



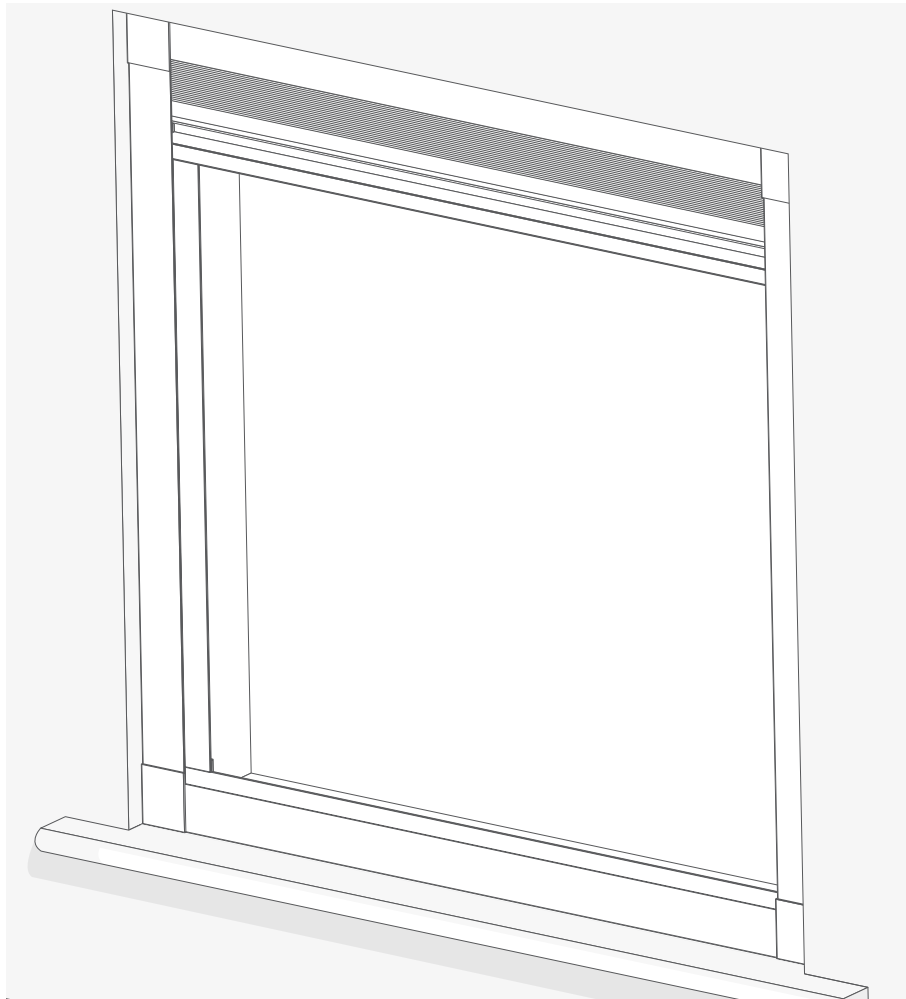
Pull the clips toward the centre of the bottom bar, at the same time, until they feel tight. Note that as you pull the right clip inwards this will tighten the right side of the blind up at the top, and the same as you pull on the left clip. Pull the clips inwards until they both feel tight, and the blind is straight.



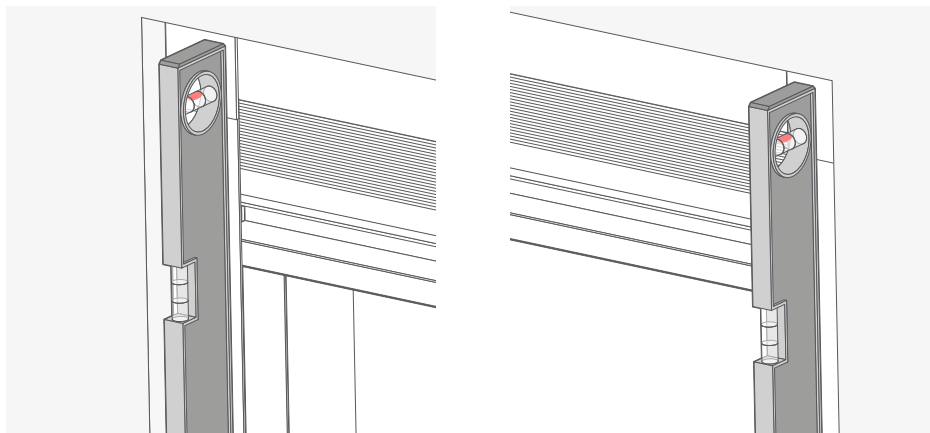
Holding the clips in position, flip the lever on each clip down to lock it in place.

Install the blind

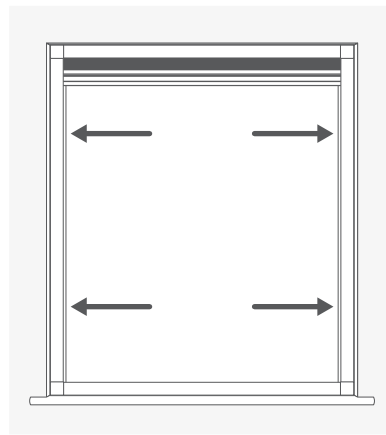
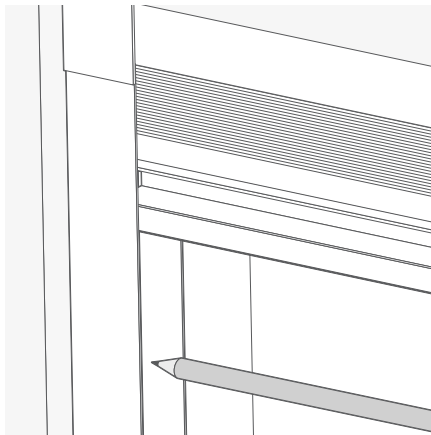
3



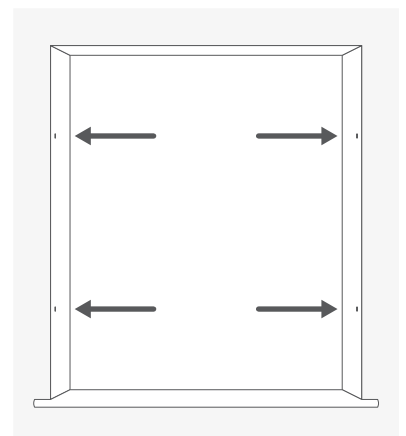
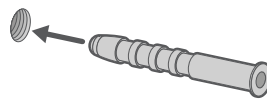
Raise the blind into the window recess. Position it so that it's close to the front of the recess, with a gap of at least 50mm between the back of the blind and the window.



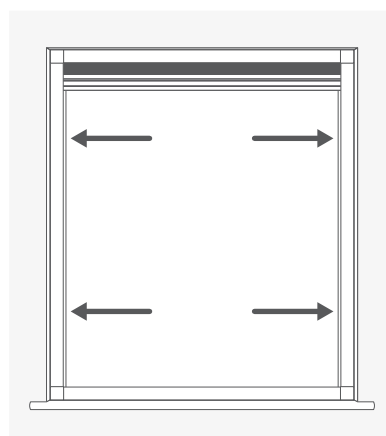
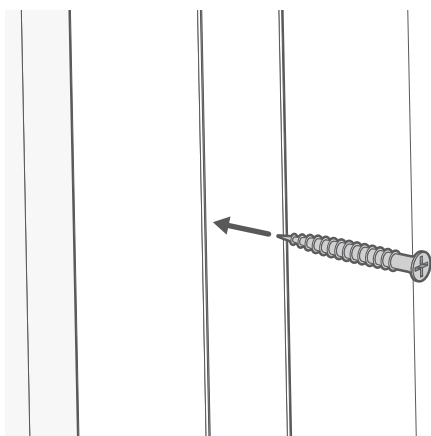
Use a spirit level to make sure that both sides of the blind are level and there is no 'twist' to the blind.



Holding the blind in position, use a pencil to mark through the pre-drilled holes in the side channels, onto the walls of the recess.



Take the blind down from the window. Drill holes and insert Rawl plugs where you made your pencil marks.



Place the blind back into the recess, lining up the holes in the channels with your screw holes, and use the screws provided to secure the blind in place.