

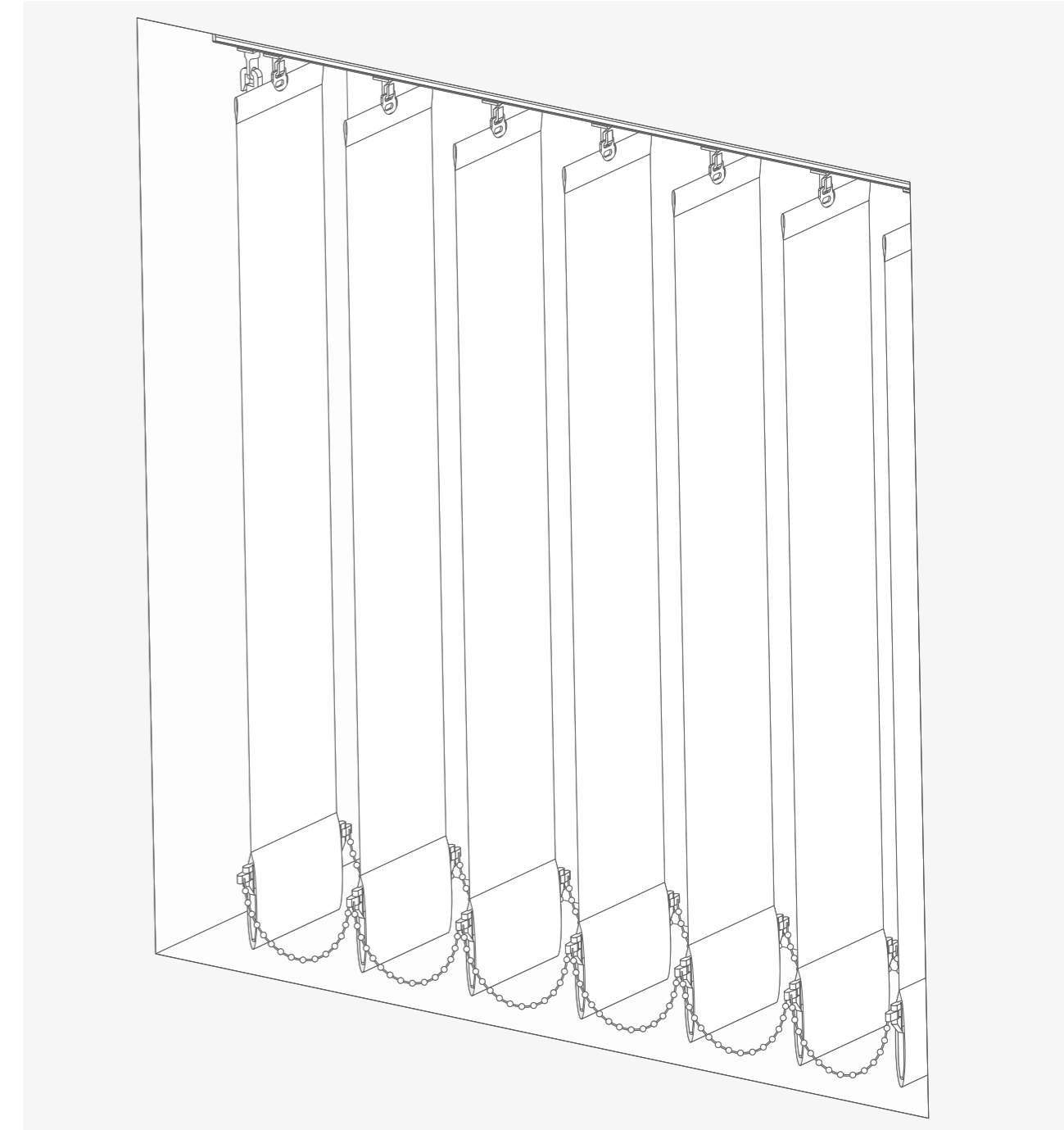
Turn your phone or tablet

Our guides are best viewed in landscape if you're viewing on your phone or tablet.

Designed for *DIY*

Our vertical blinds are designed to be installed by you, without specialist fitters, even if you don't have much DIY experience.

Please read each page of this guide carefully during installation, following along one step at a time.



Section 1 *Parts & Tools* - Standard Fitting

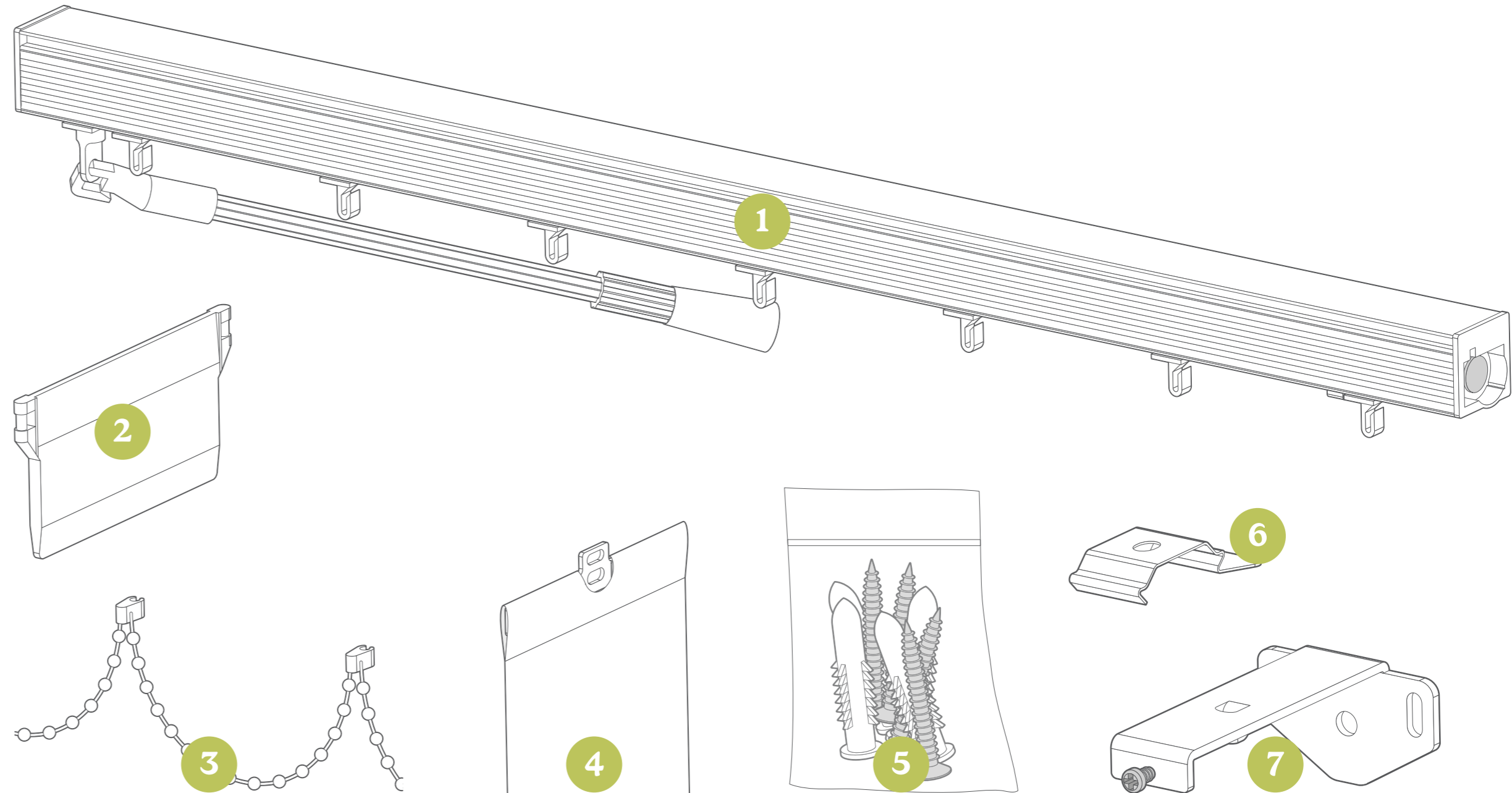
Tools required *for this install*:

- ✓ Handheld drill
- ✓ 4mm masonry drill bit
- ✓ Phillips screwdriver / driver bit
- ✓ Mallet / hammer
- ✓ Pen / pencil

Parts included *in your order*:

- 1 Headrail
- 2 Louvre weights
- 3 Stabilising chain
- 4 Fabric louvres
- 5 Screws & wall plugs
- 6 Top-fix brackets*
- 7 Face-fix brackets*

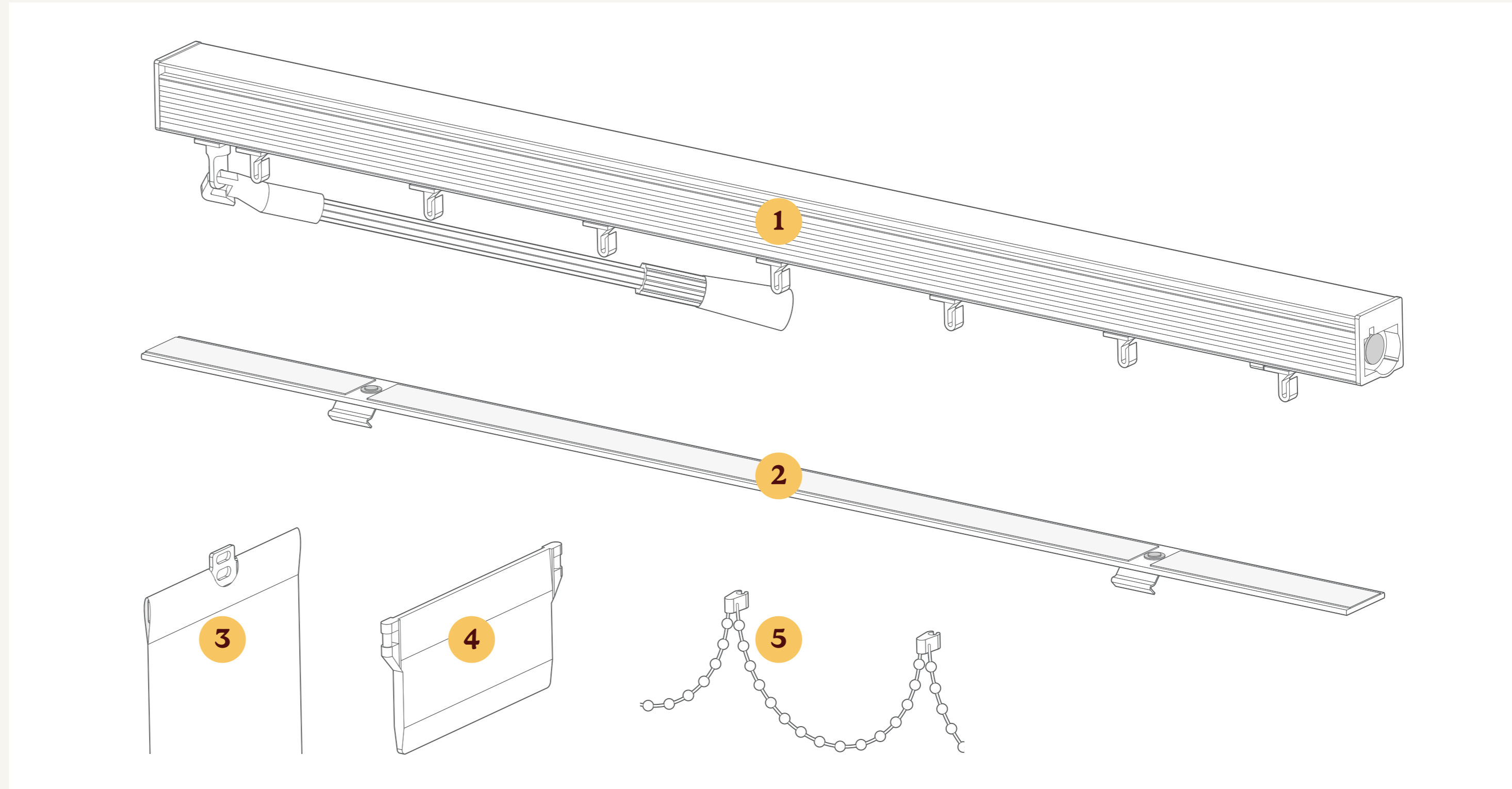
* You will only receive one of these, based on your choice when you ordered.



Section 1 *Parts & Tools* - **Stick On No-Drill Fitting**

Parts included *in your order*:

- 1** Pelmet clips
- 2** Decorative pelmet
- 3** Fabric louvres
- 4** Louvre weights
- 5** Stabilising chain



Section 2 *Installing the Brackets - Standard Fitting*

If you're using stick on brackets, skip to section 3.

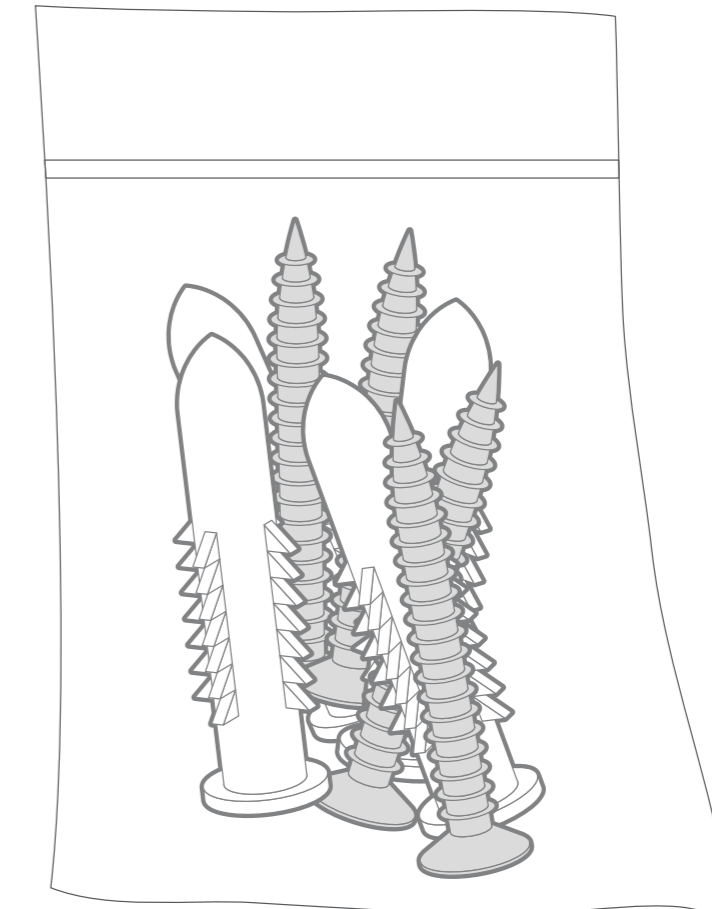
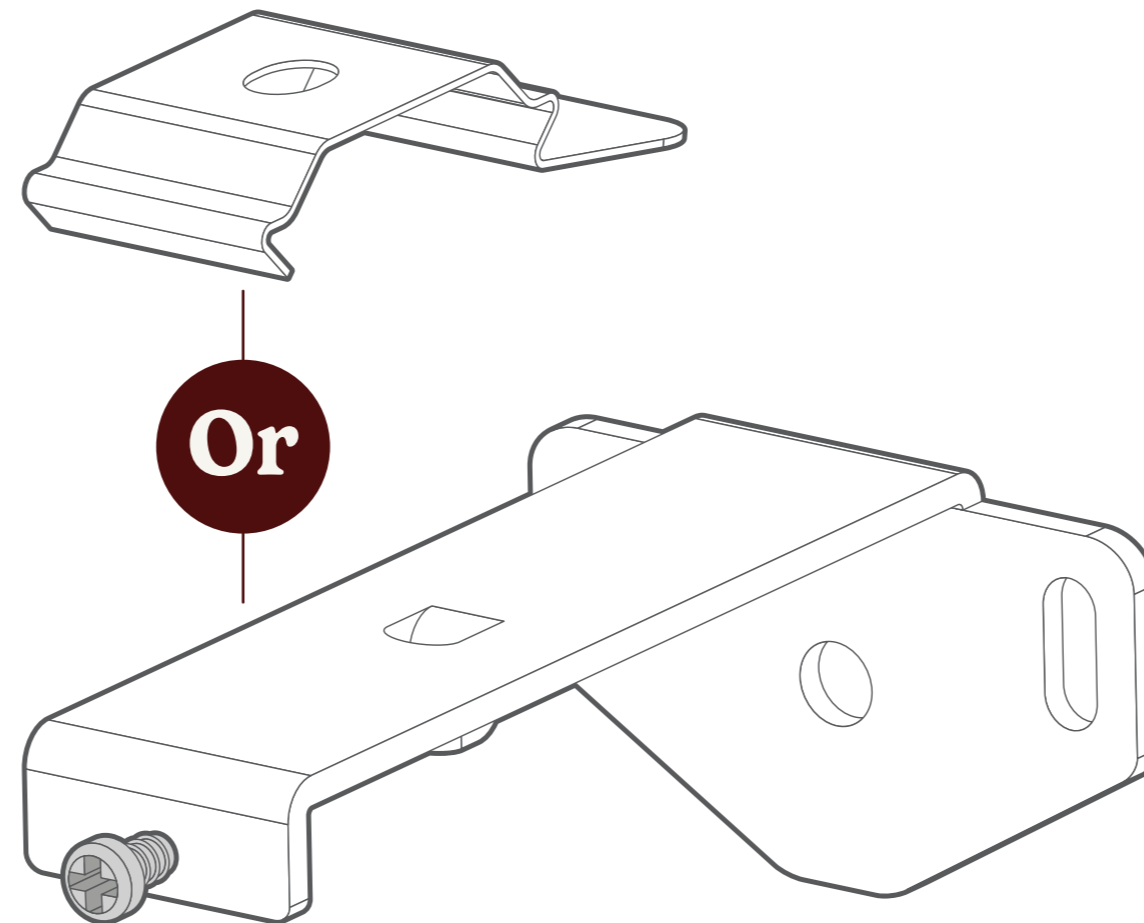
Tools required for this section:

- ✓ Handheld drill
- ✓ 4mm masonry drill bit
- ✓ Phillips screwdriver / driver bit
- ✓ Mallet / hammer
- ✓ Pen / pencil

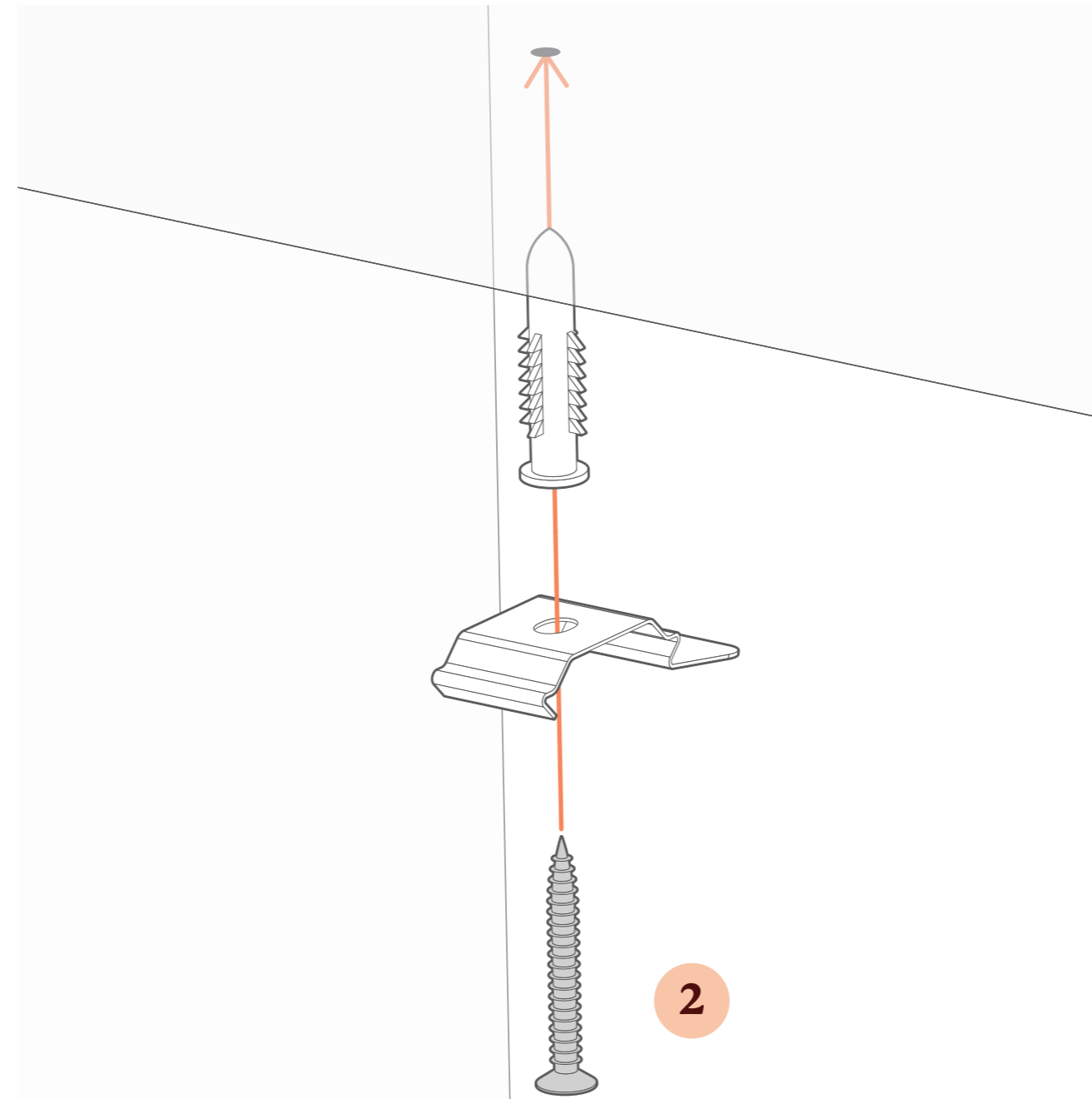
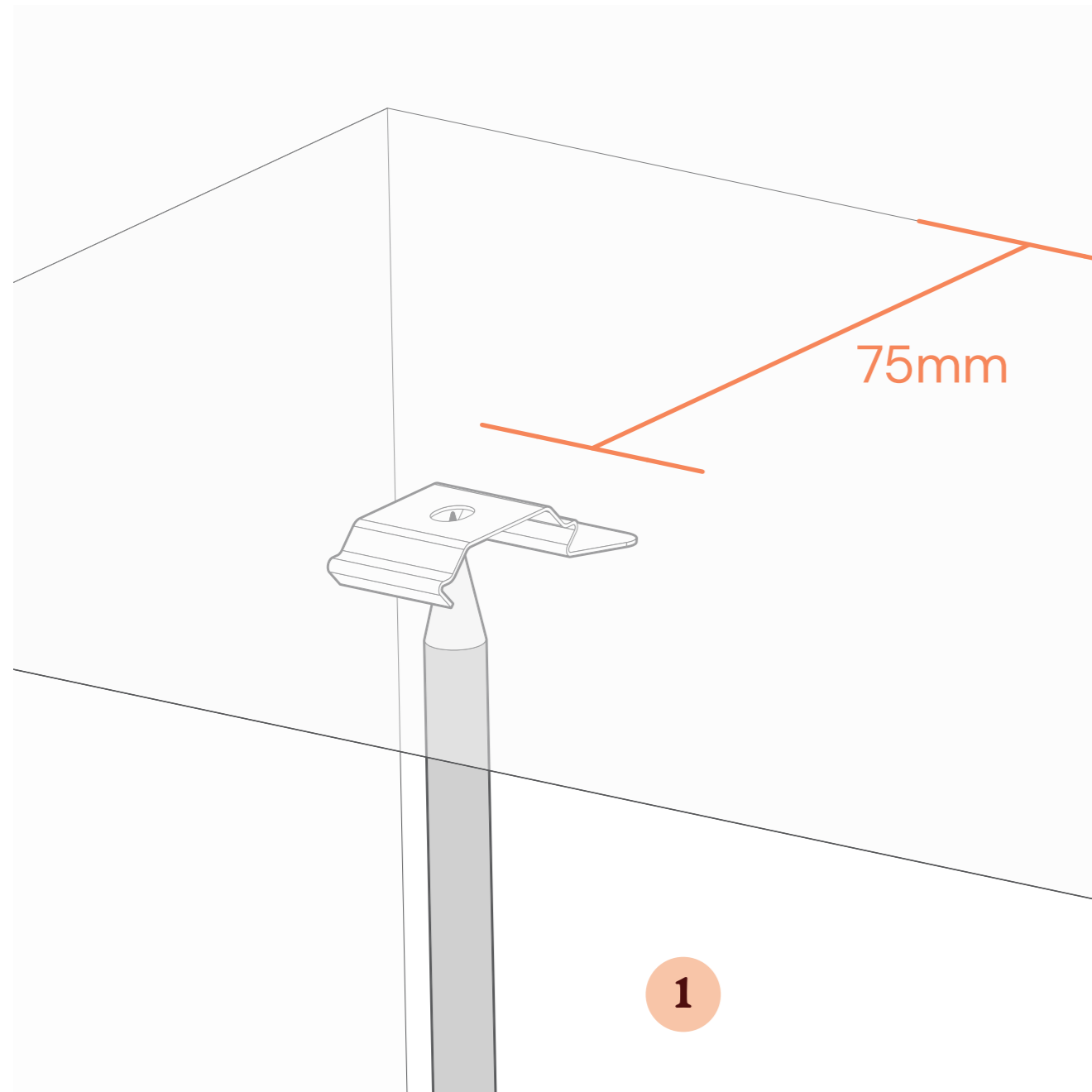
Parts required for this section:

Brackets

Screws & wall plugs



Section 2 *Installing the Brackets - Top-Fixing*

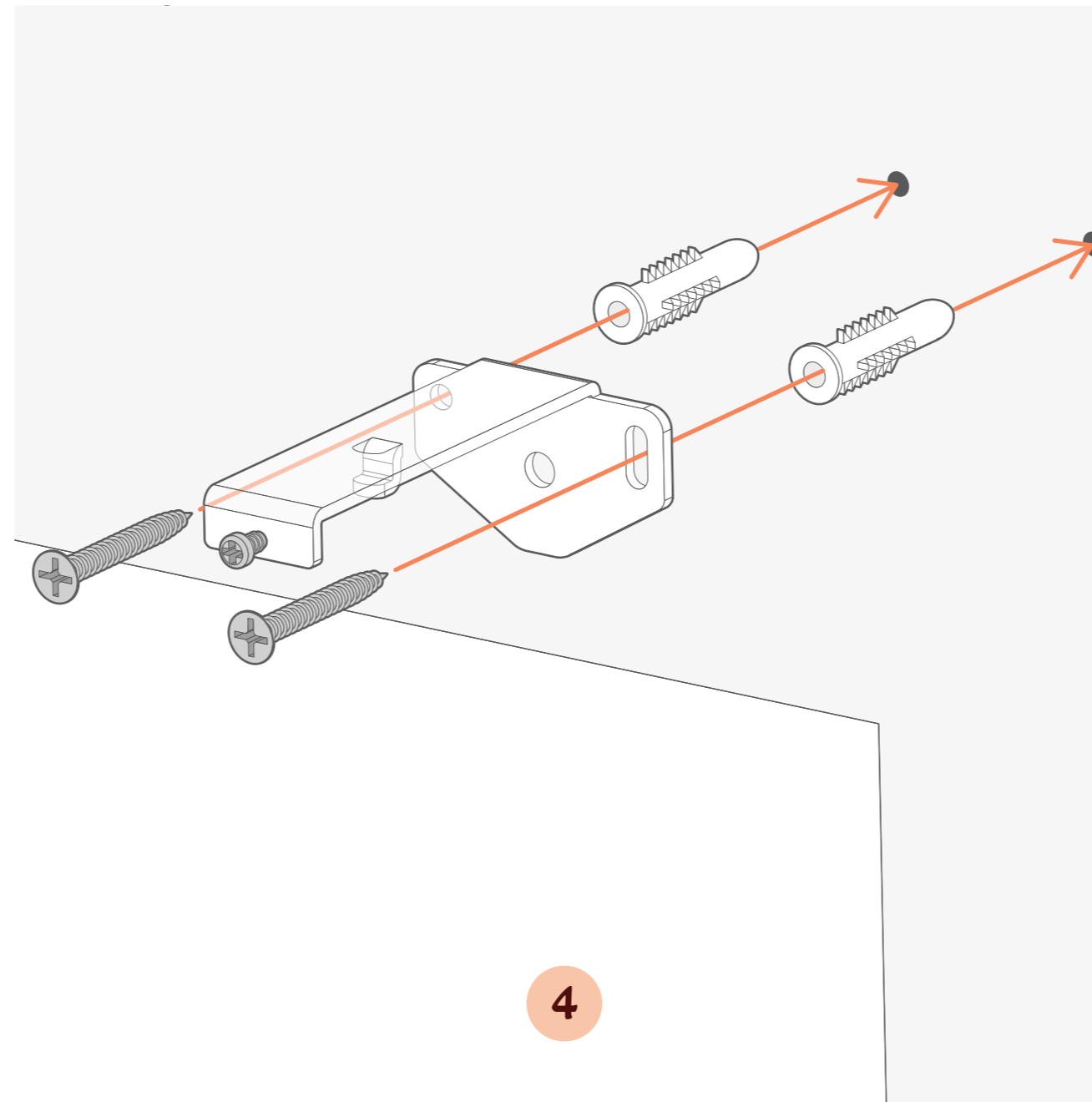
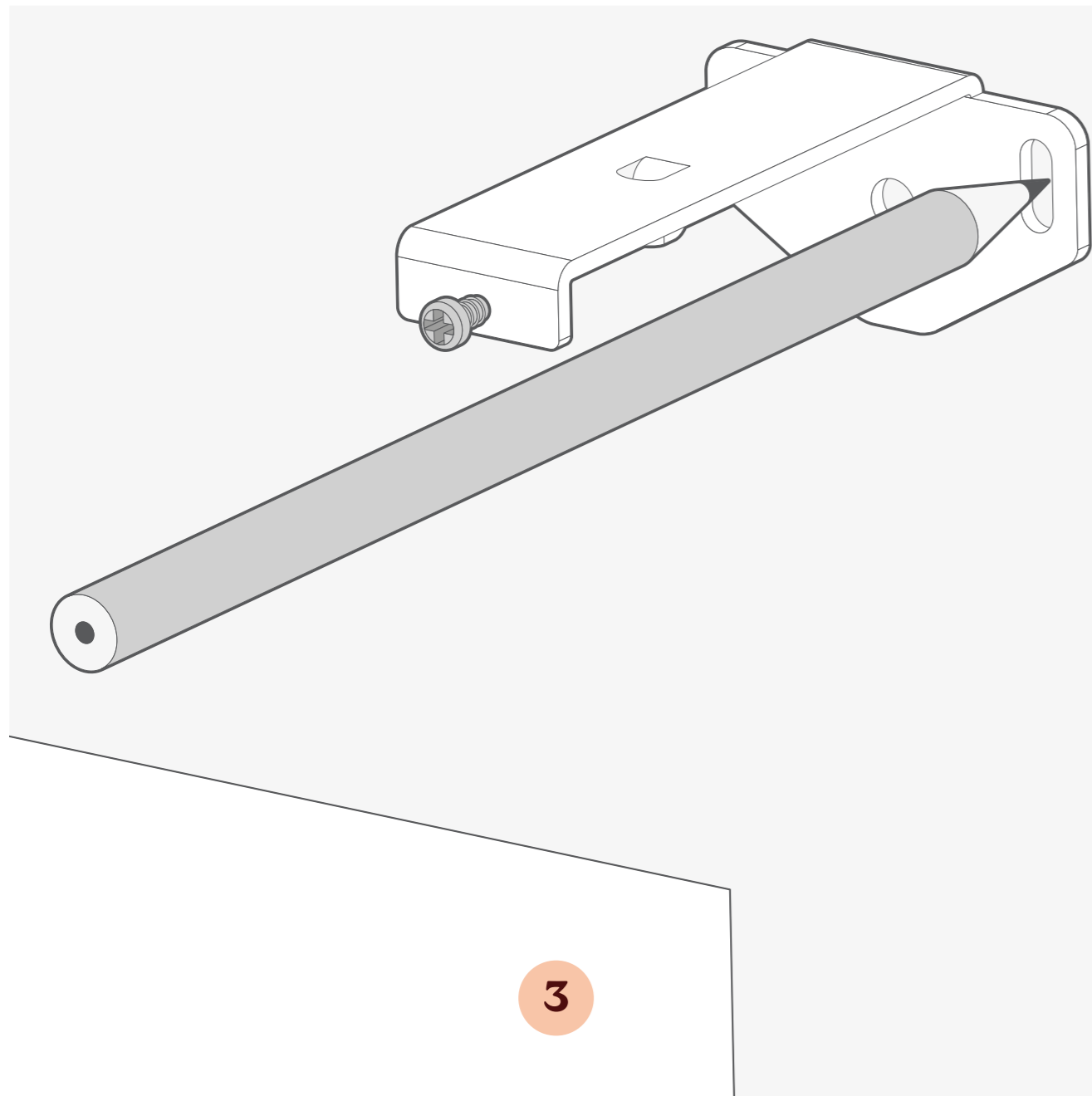


Hold the brackets in position up against the top of the recess and mark the locations of the screw hole on each bracket with a pen or pencil (1).

Note that, to give the blind room to function properly, the brackets should be located at least 75mm from the back of the recess, or any obstructions that might catch the back of the blind.

Drill a hole at each mark, then use the screws and wall plugs provided to secure the brackets in place (2).

Section 2 *Installing the Brackets - Face-Fixing*

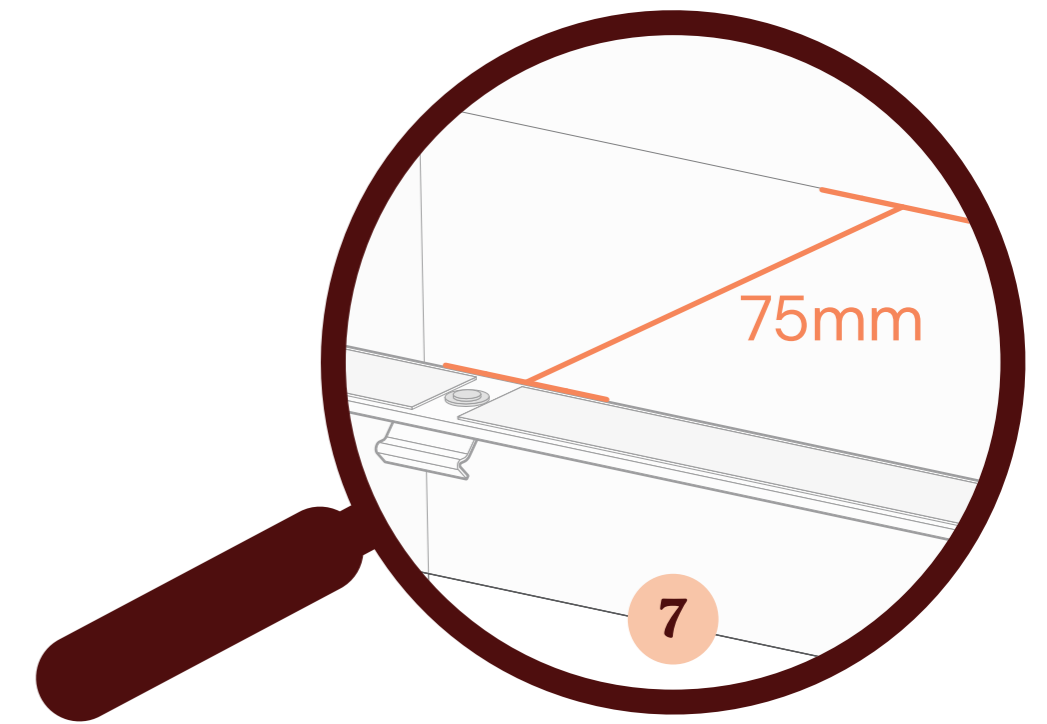
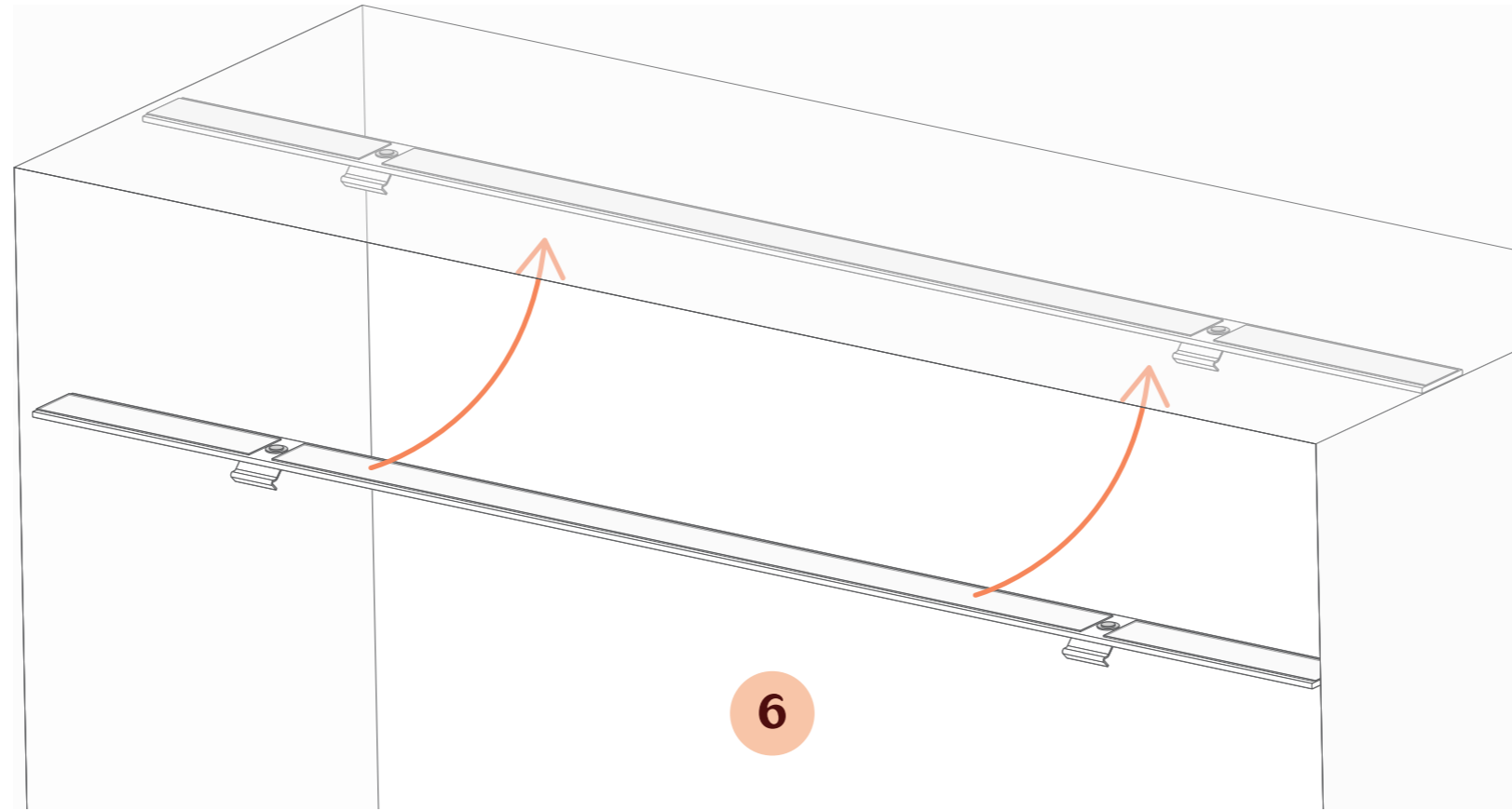
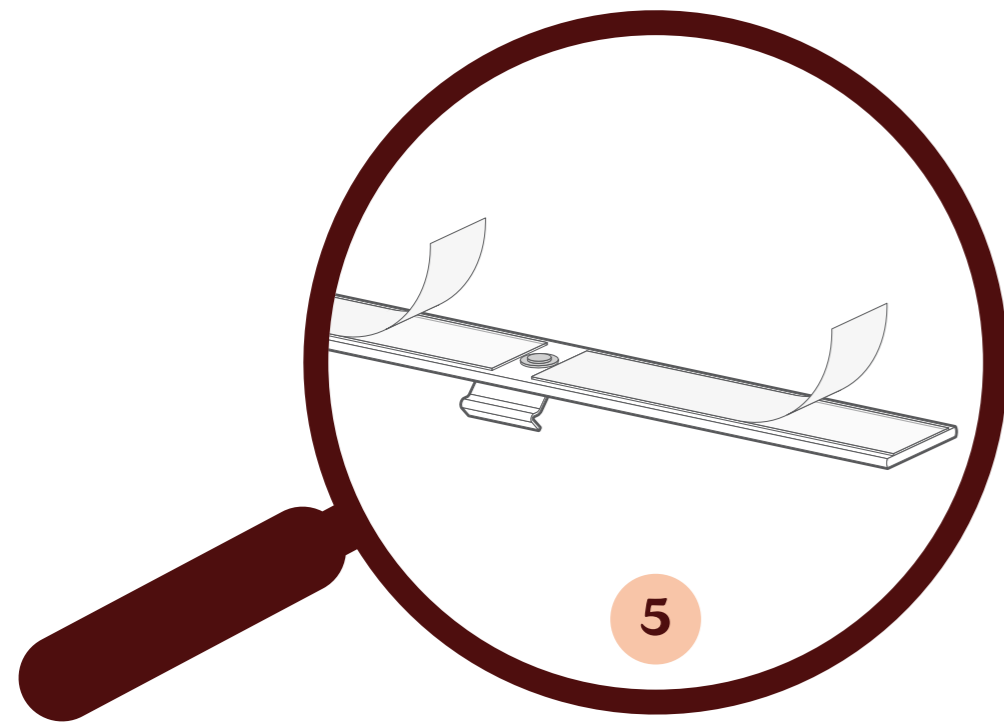


Hold the brackets in position up against the wall and mark the locations of the screw holes on each bracket with a pen or pencil (3). The bracket locations should match the top corners of where you took your measurements originally.

Drill a hole at each mark, then use the screws and wall plugs provided to secure the brackets in place (4).

Note: when positioning the brackets, take a moment to make sure that they're level, and that they're an equal distance each side from the edge of the recess.

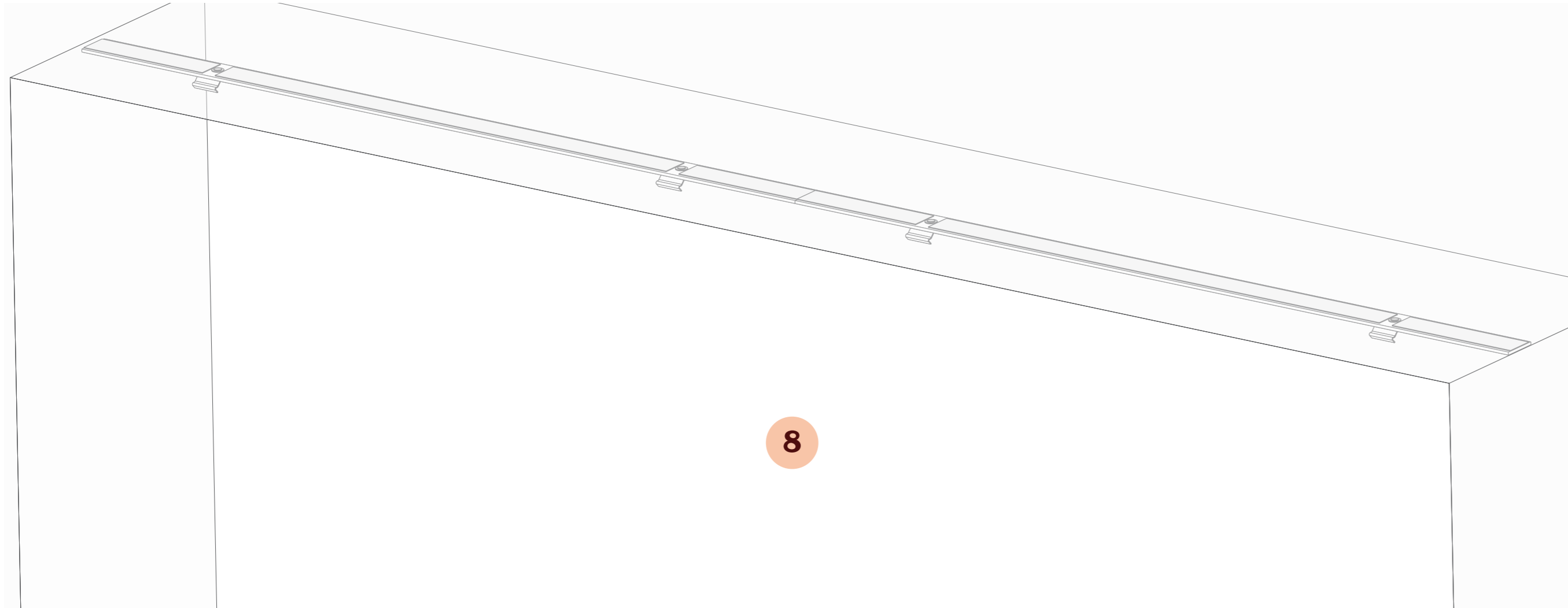
Section 3 *Installing the Brackets - Stick On No-Drill Fitting*



Peel the covers from the adhesive strips along the top of the Stick2Go rail (5). Raise the rail into the recess and carefully press into place, making sure the rail is straight (6). The brackets should be located at least 75mm from the back of the recess, or any obstructions that might catch the back of the blind (7). Make sure that the rail is making contact with the top of the recess all the way along.

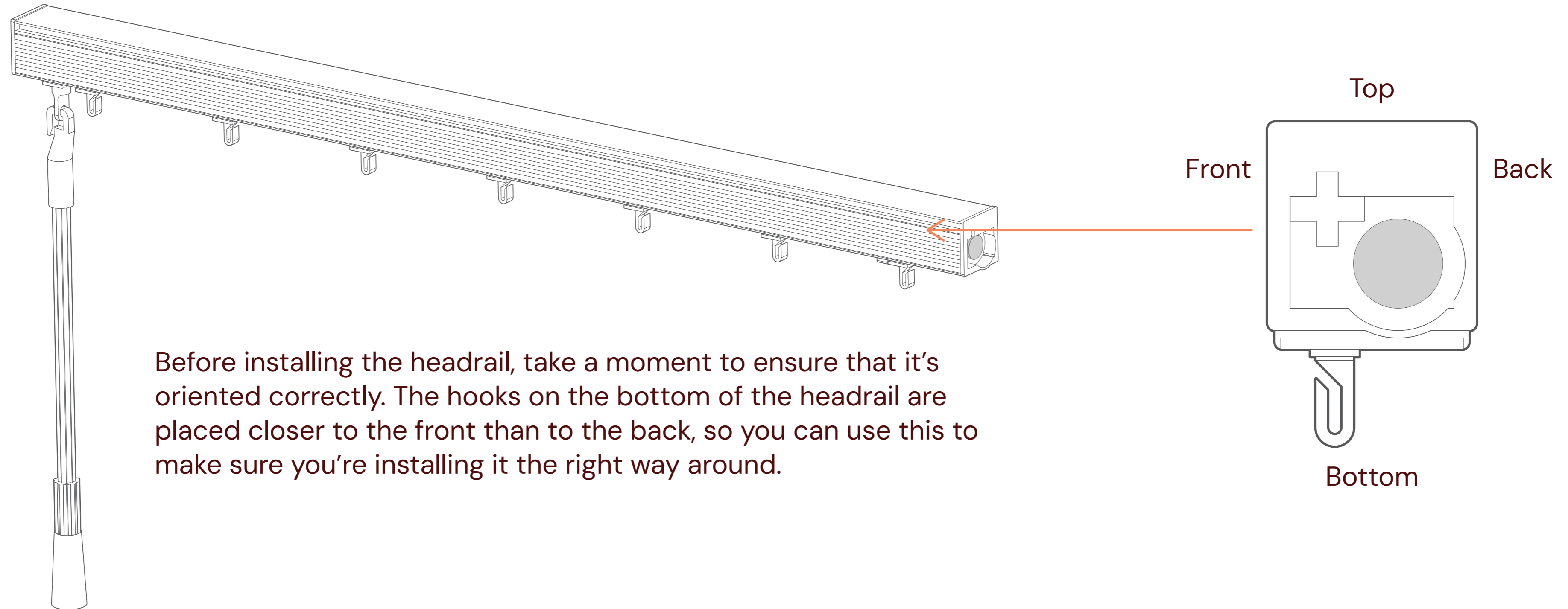
Note that after 12 hours the adhesive will be fully cured.

Section 3 *Installing the Brackets - Stick On No-Drill Fitting*



If you ordered a wider blind, you'll find that the width has been split into two and you've received 2 Stick2Go rails and 2 blind headrails. Installation is just as easy as a single rail, simply fit the 2 rails into the recess, facing the same way, butted up together (8 / 9).

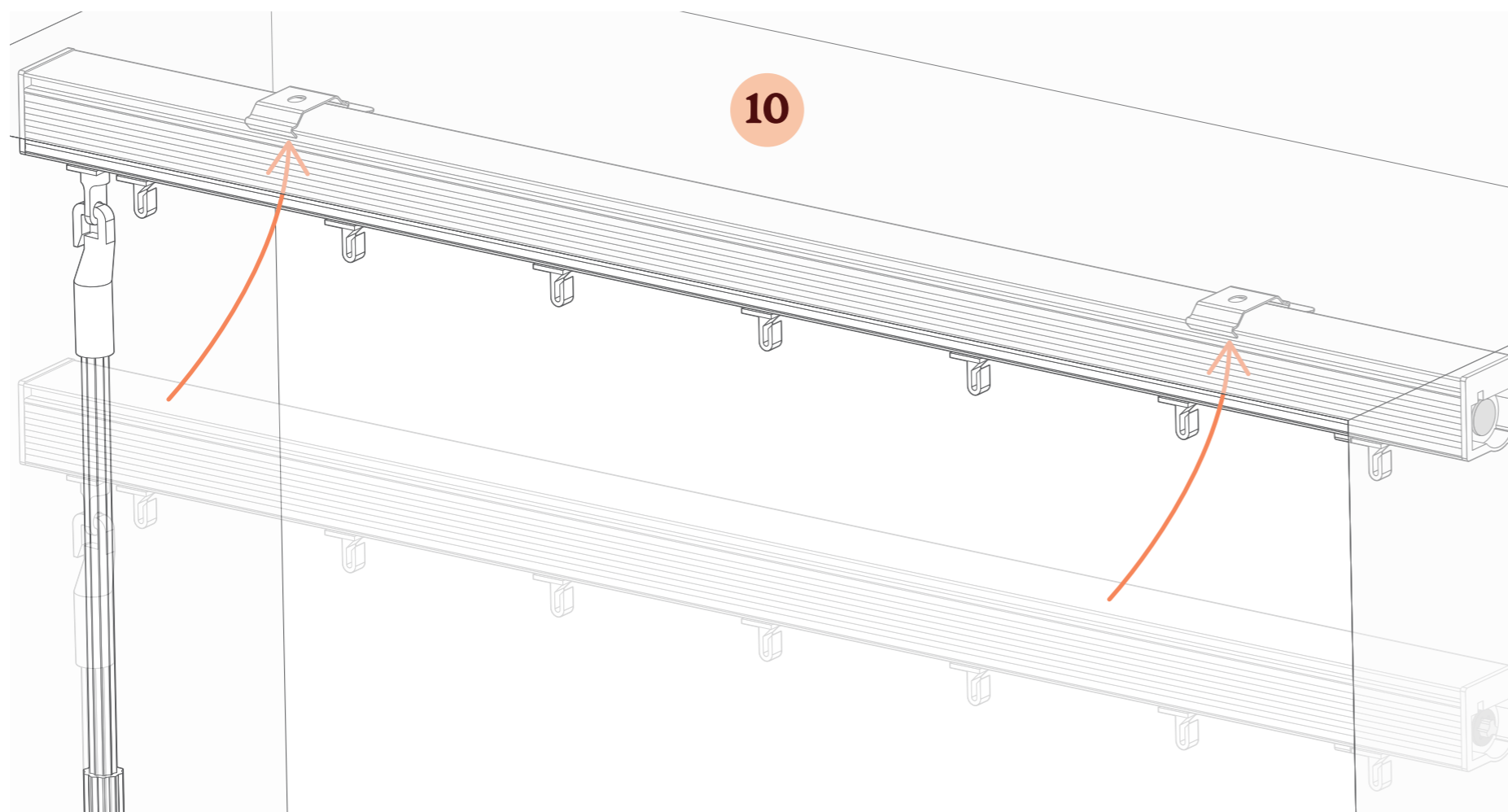
Section 4 *Installing the Blind's Headrail*



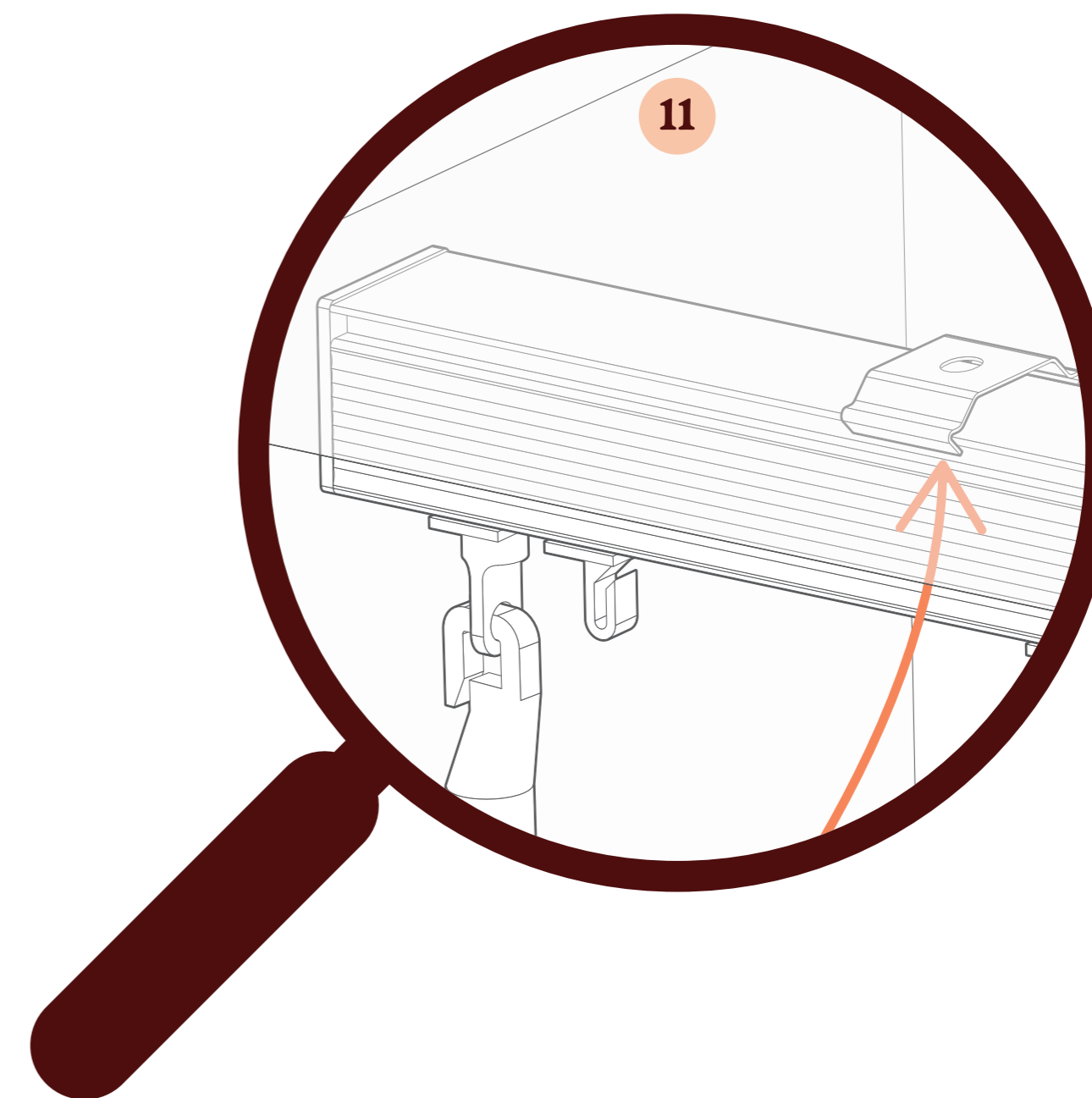
Before installing the headrail, take a moment to ensure that it's oriented correctly. The hooks on the bottom of the headrail are placed closer to the front than to the back, so you can use this to make sure you're installing it the right way around.

Section 4 *Installing the Blind's Headrail - Top-Fix Brackets & Stick On Brackets*

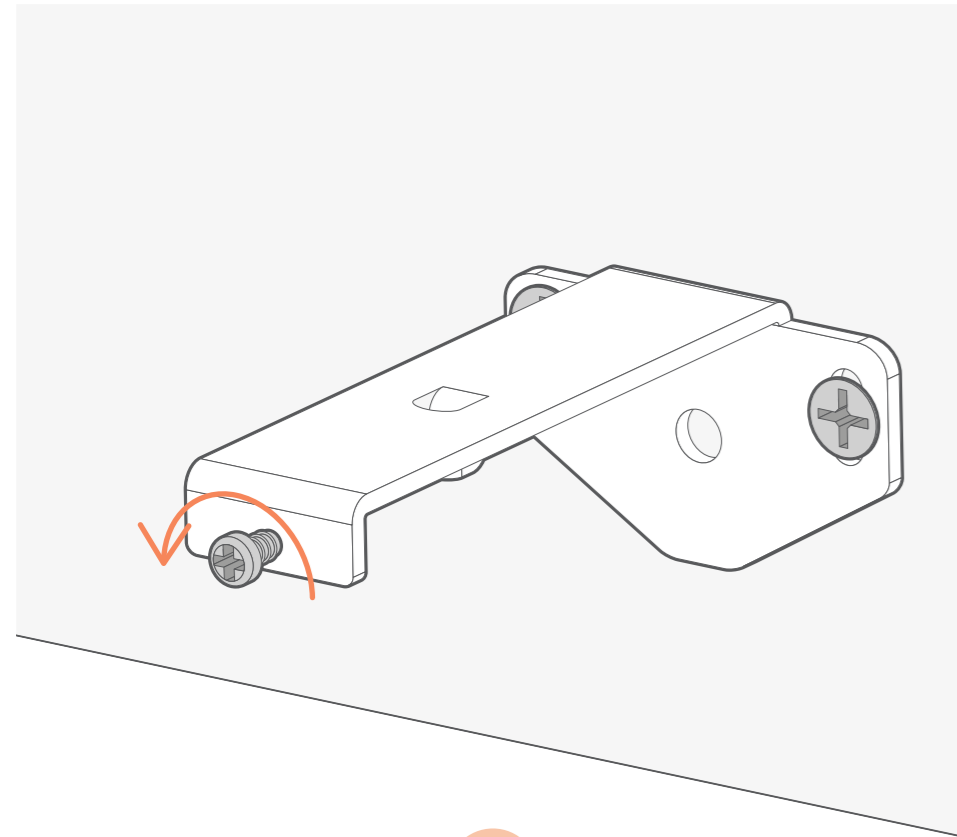
If you're using face-fix brackets, you can skip this page.



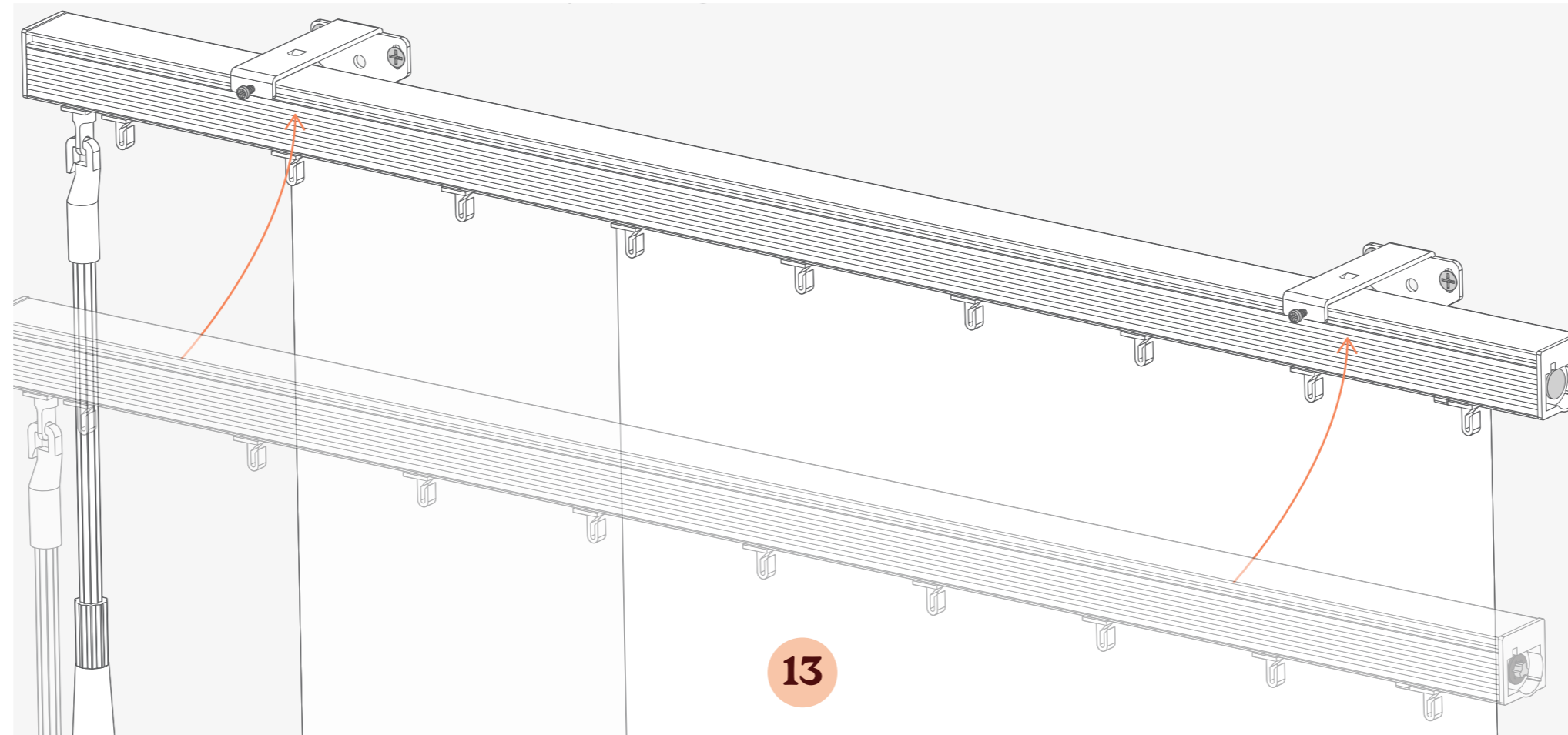
Hook the lip at the front of the blind's headrail into the front hook of the bracket, then push up against the brackets until the rail snaps into place (10 / 11).



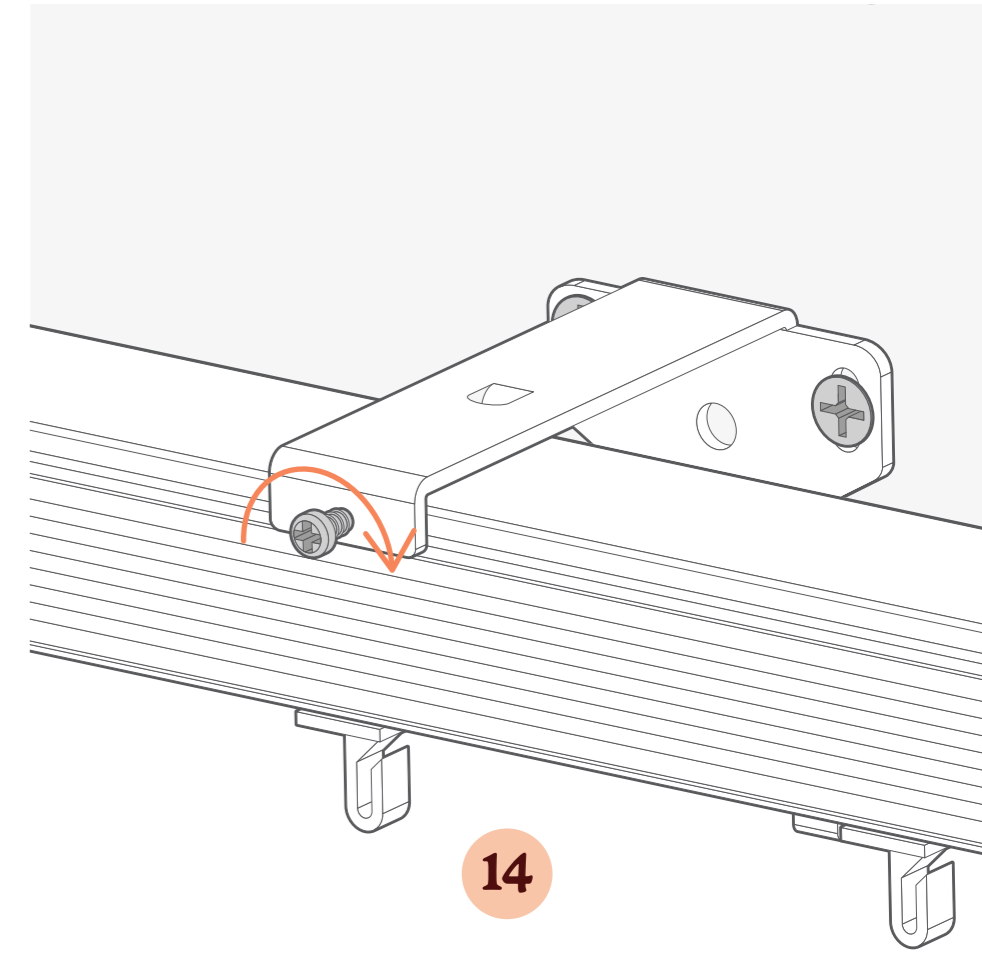
Section 4 *Installing the Blind's Headrail - Face-Fix Brackets*



12



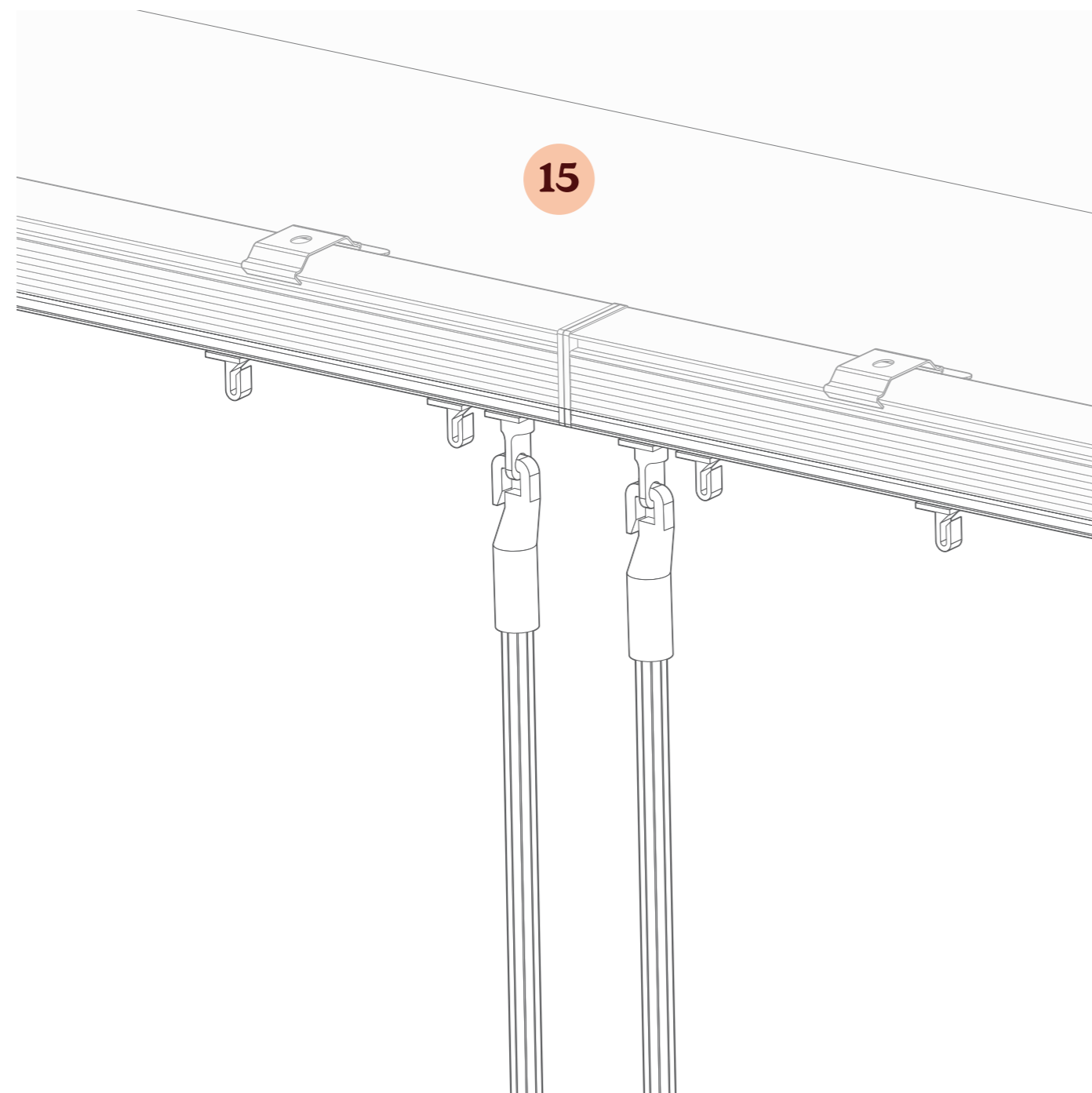
13



14

Loosen the screw in the front of each of the brackets, but don't remove it (12). Raise the headrail into the brackets (13), then hold it steady whilst you tighten the screws in the front of the brackets (14).

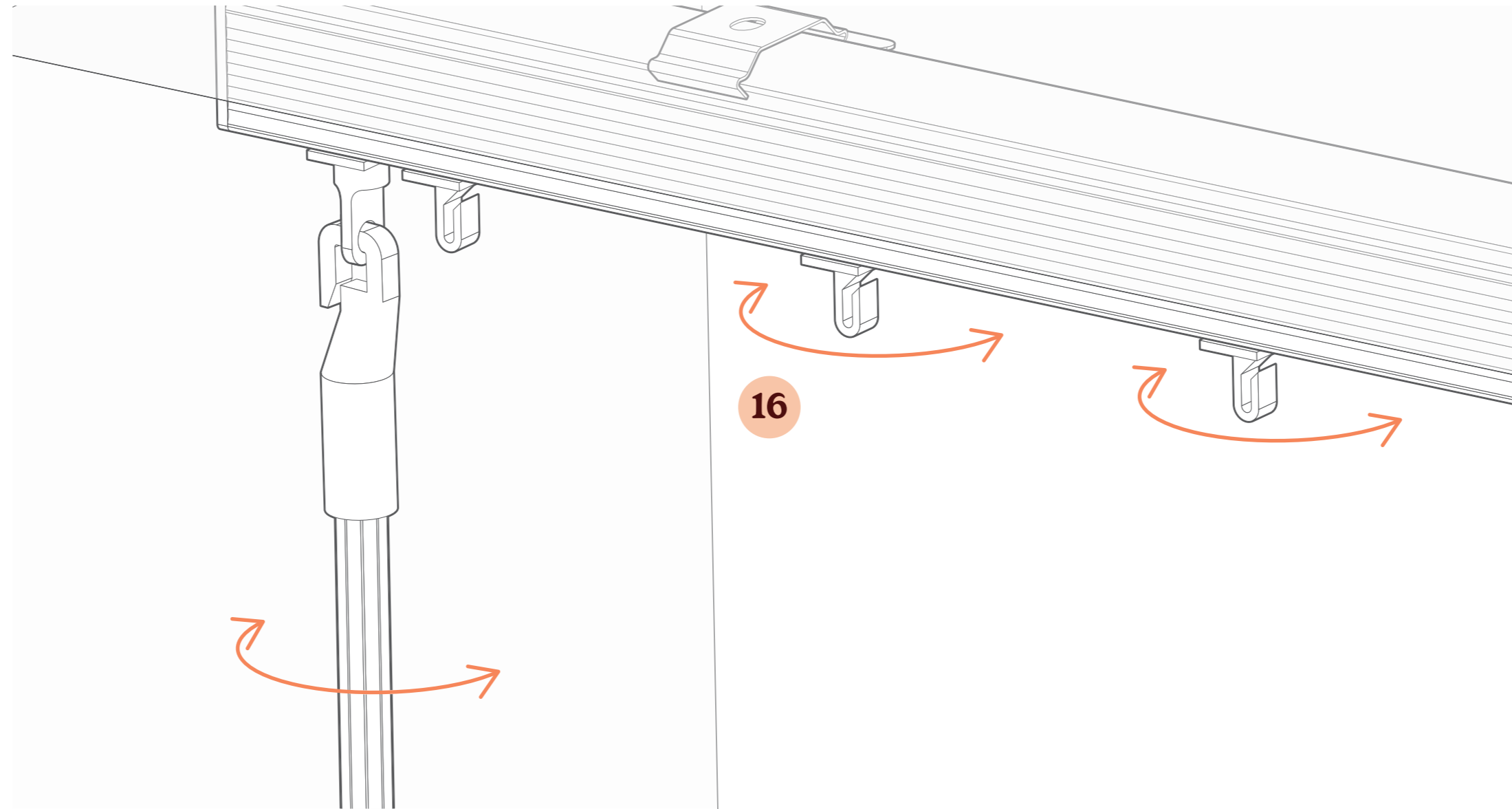
Section 4 *Installing the Blind's Headrail - Wide Blinds* - **Wide Blinds**



Wider blinds are supplied with 2 headrails, designed to fit flush beside each other.

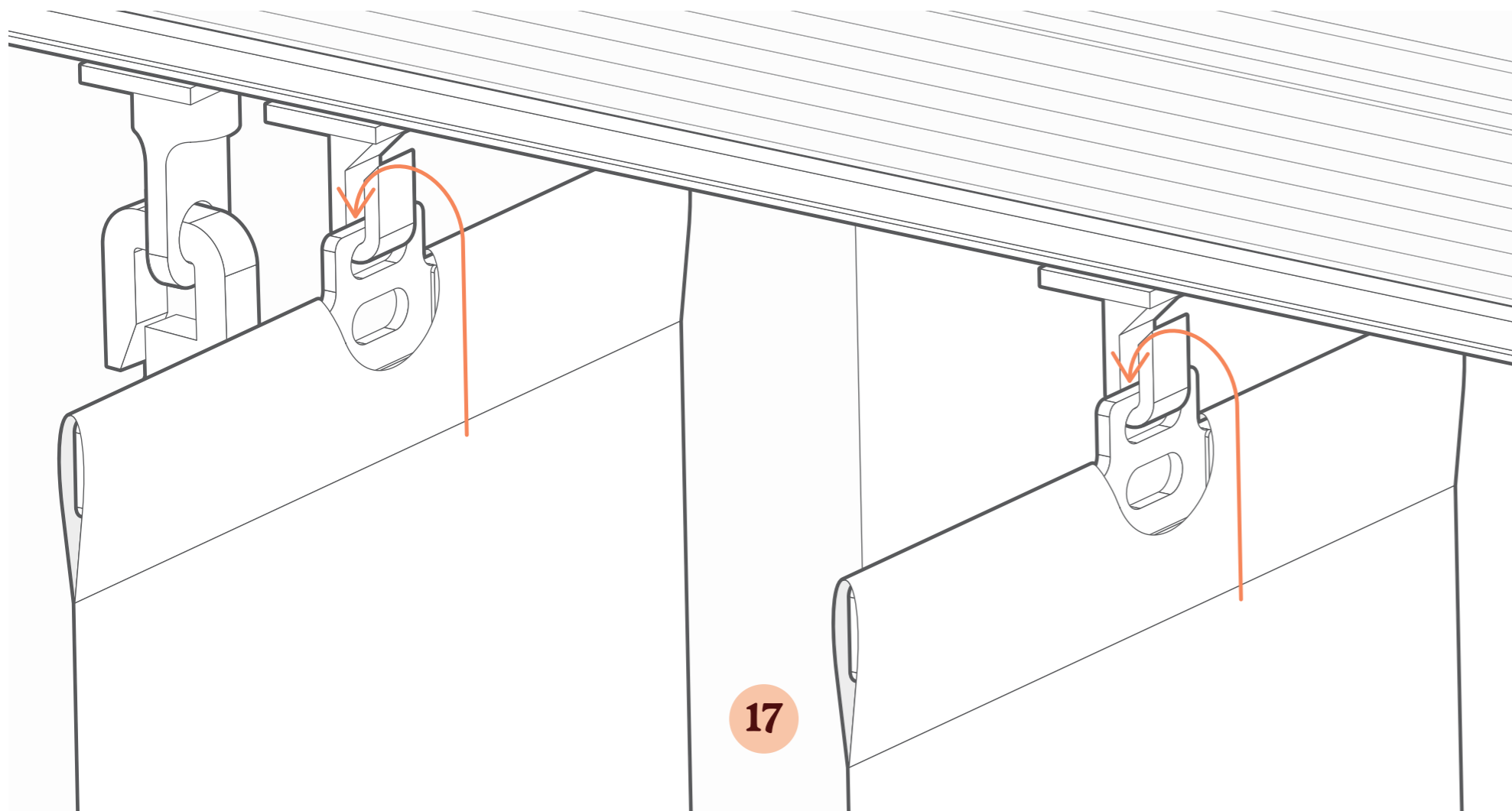
They are fitted in exactly the same way as a single rail, but note that the control wands will sit beside each other in the centre of the window (15).

Section 5 *Installing the Louvres*

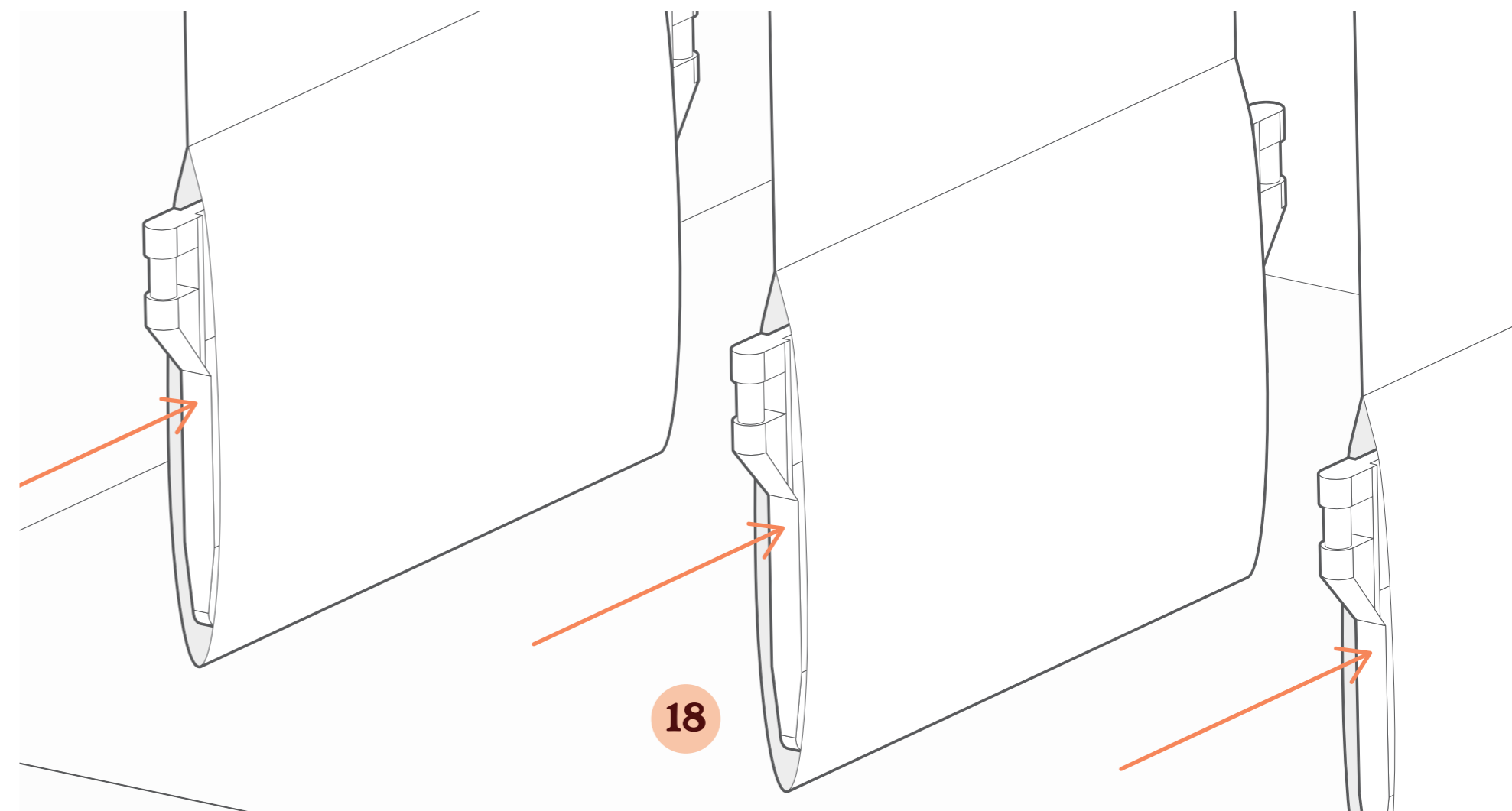


Before attaching the louvres, make sure the hooks in the headrail are all aligned. Twist the wand fully in one direction, then fully in the other, checking that all the hooks are turning smoothly as you do so (16). Then turn the hooks so that they're all facing to the side.

Section 5 *Installing the Louvres*

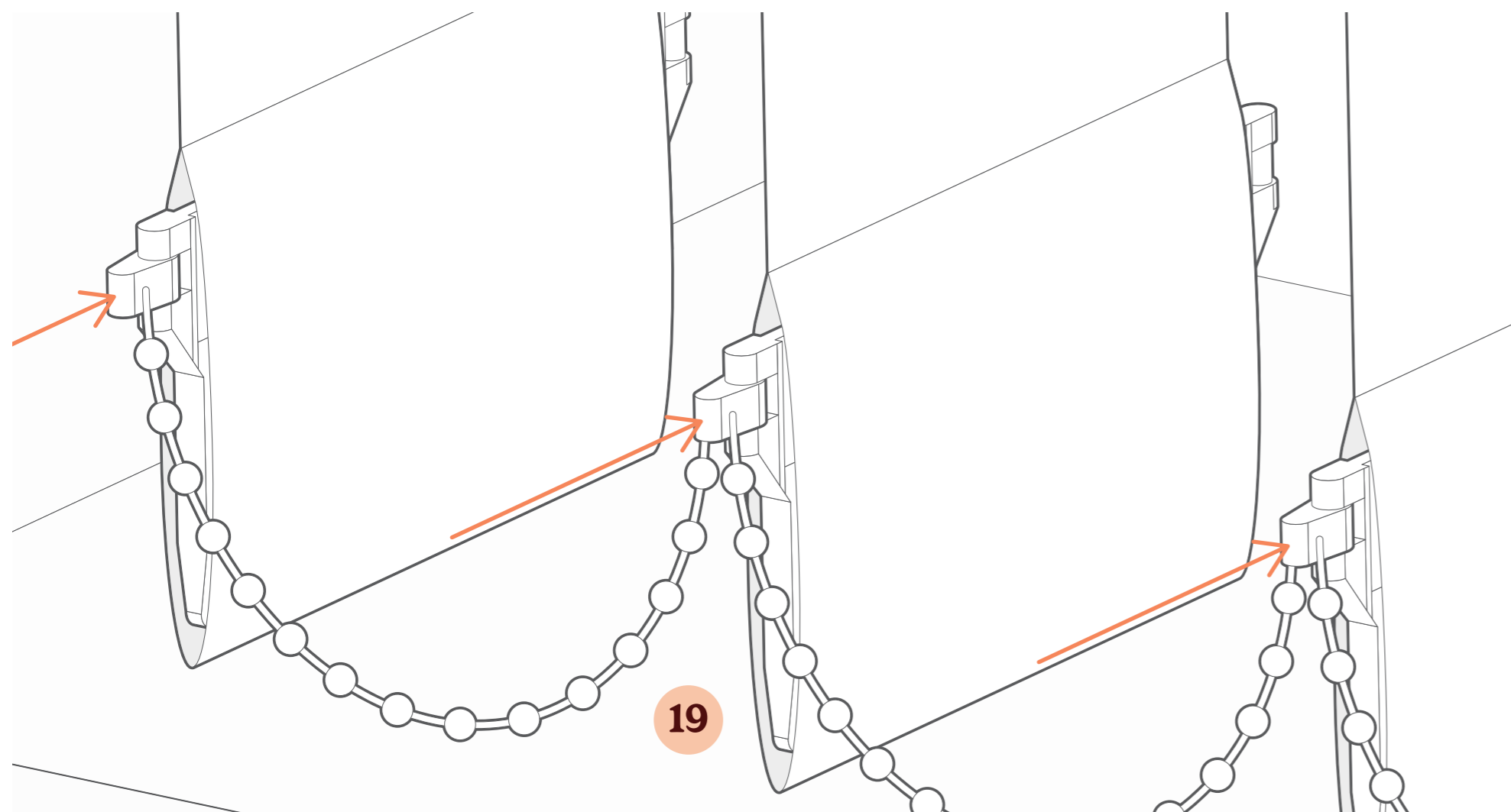


Hook the louvres onto the hooks into the headrail one by one, ensuring that they're all facing the same direction (17).

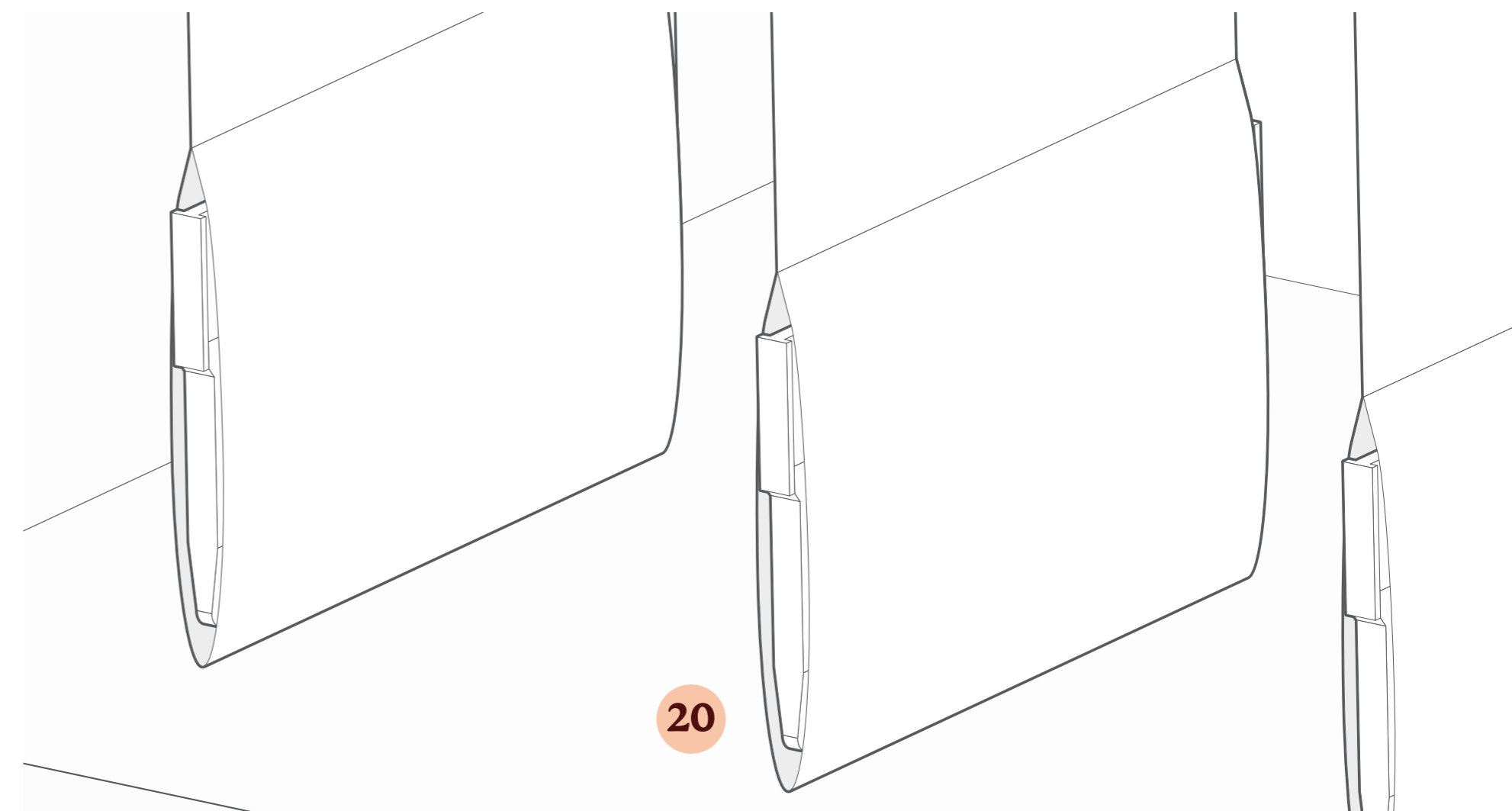


Slot the weights into the bottom pocket of each louvre (18).

Section 5 *Installing the Louvres*

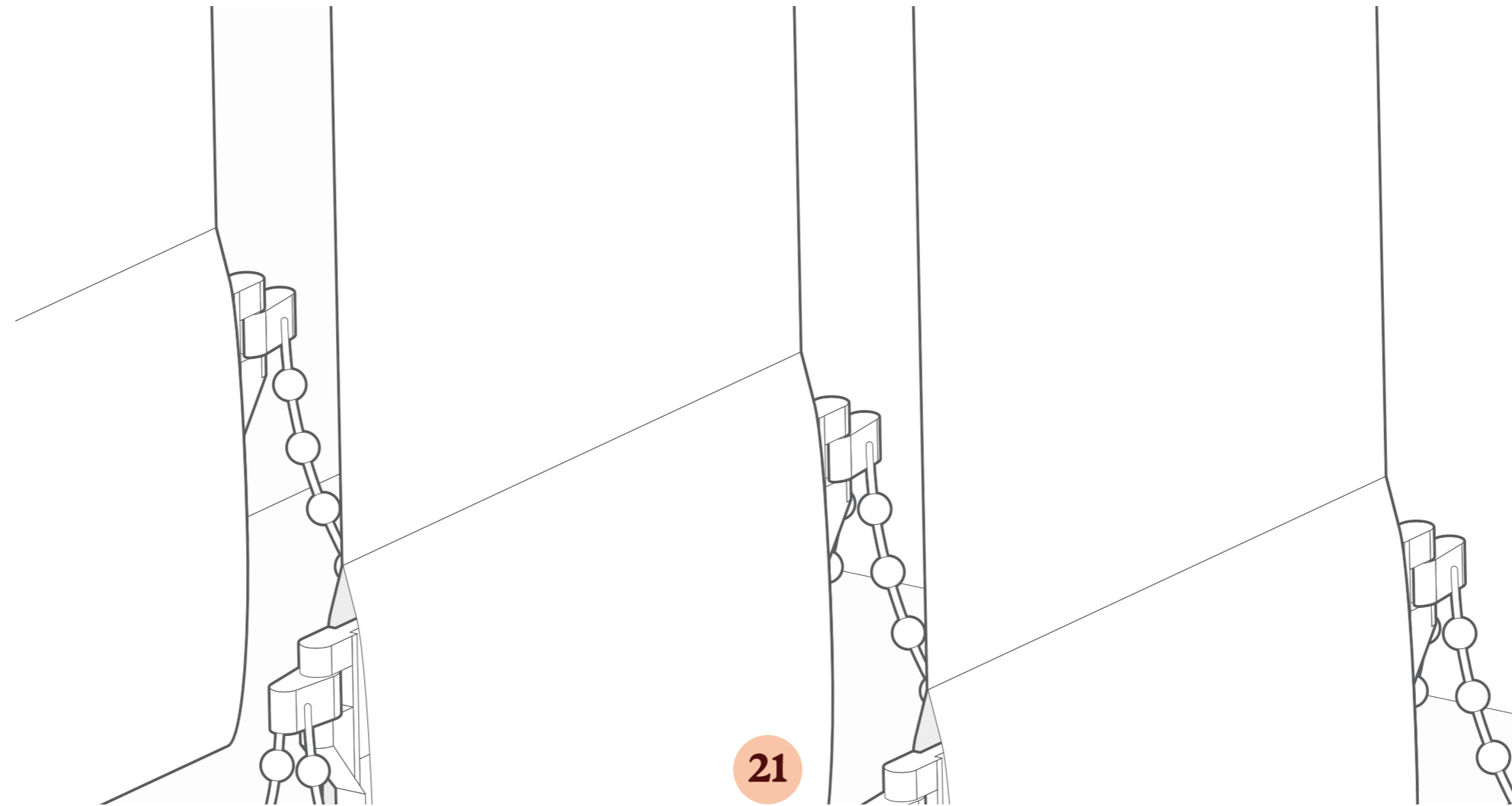


Starting at one end, clip the stabilising chain onto the front of the weights (19). Do not cut or trim the chain until you have it clipped onto the front of every louvre.



Note that if you have chainless weights then once the weights are inserted (20), you're all done.

Section 5 *Installing the Louvres*



Once you've covered the front of the louvres, use a pair of scissors to cut off the remaining stabilising chain and clip it onto the back of the weights (21).

And that's it! Your beautiful new Vertical Blind is fully installed and ready to enjoy...