

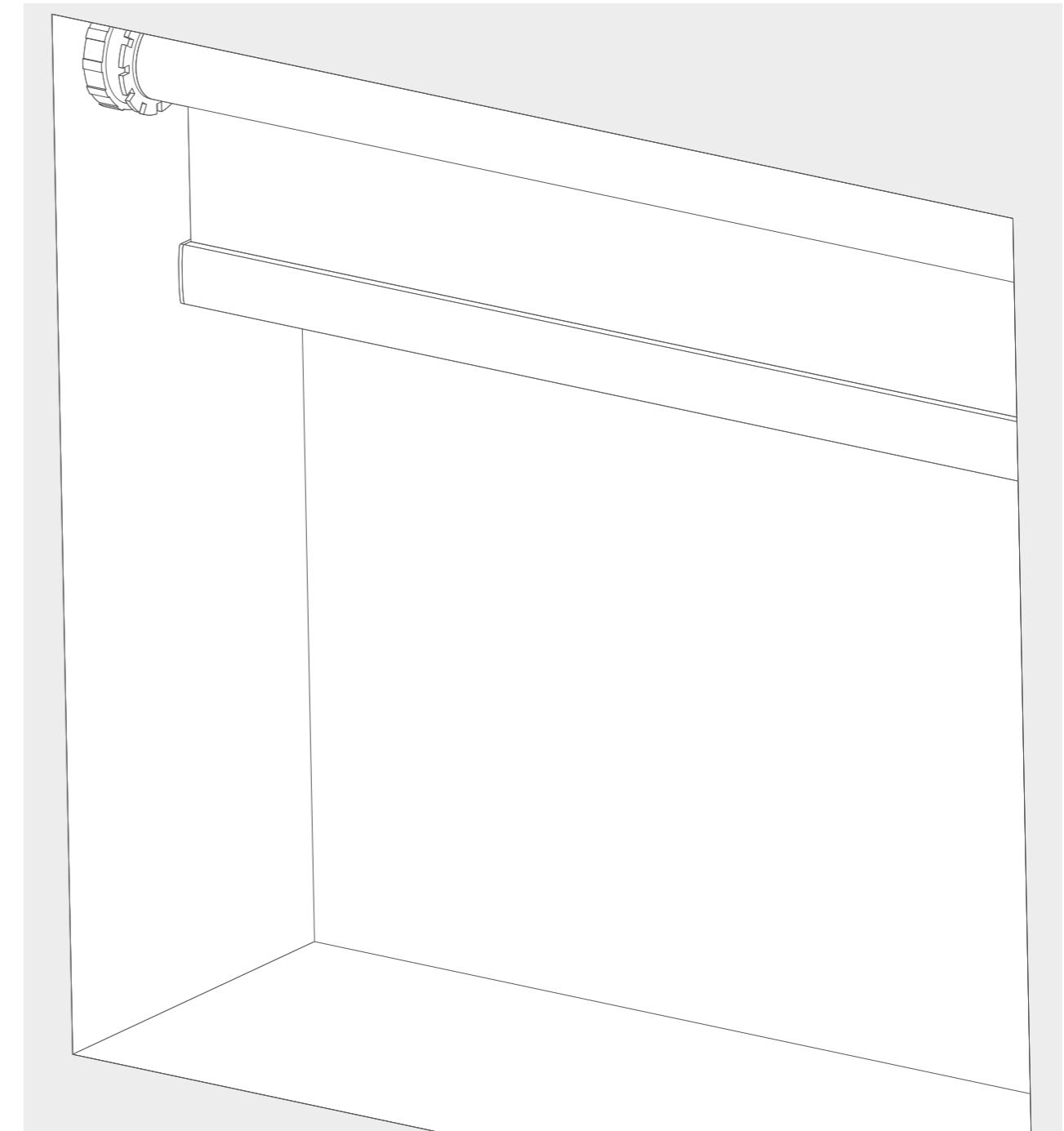
### Turn your phone or tablet

Our guides are best viewed in landscape if you're viewing on your phone or tablet.

### Designed for *DIY*

Our Twist2Go No-Drill Roller Blinds are designed to be installed by you, without specialist fitters, even if you don't have much DIY experience.

**Please read each page of this guide carefully during installation, following along one step at a time.**



## Did you upgrade?

There are a number of different finishes and options available for our Roller Blinds, so take a moment to ensure you're reading the right instructions for your blind. Just click or tap on the guide that matches your choice.

*This guide is for roller blinds upgraded with Twist2Go no-drill fitting, and for those with both the no-drill and electric upgrades. If that matches what you've ordered then you can skip this page.*

**No Upgrades**



**Decorative Cassette Upgrade**

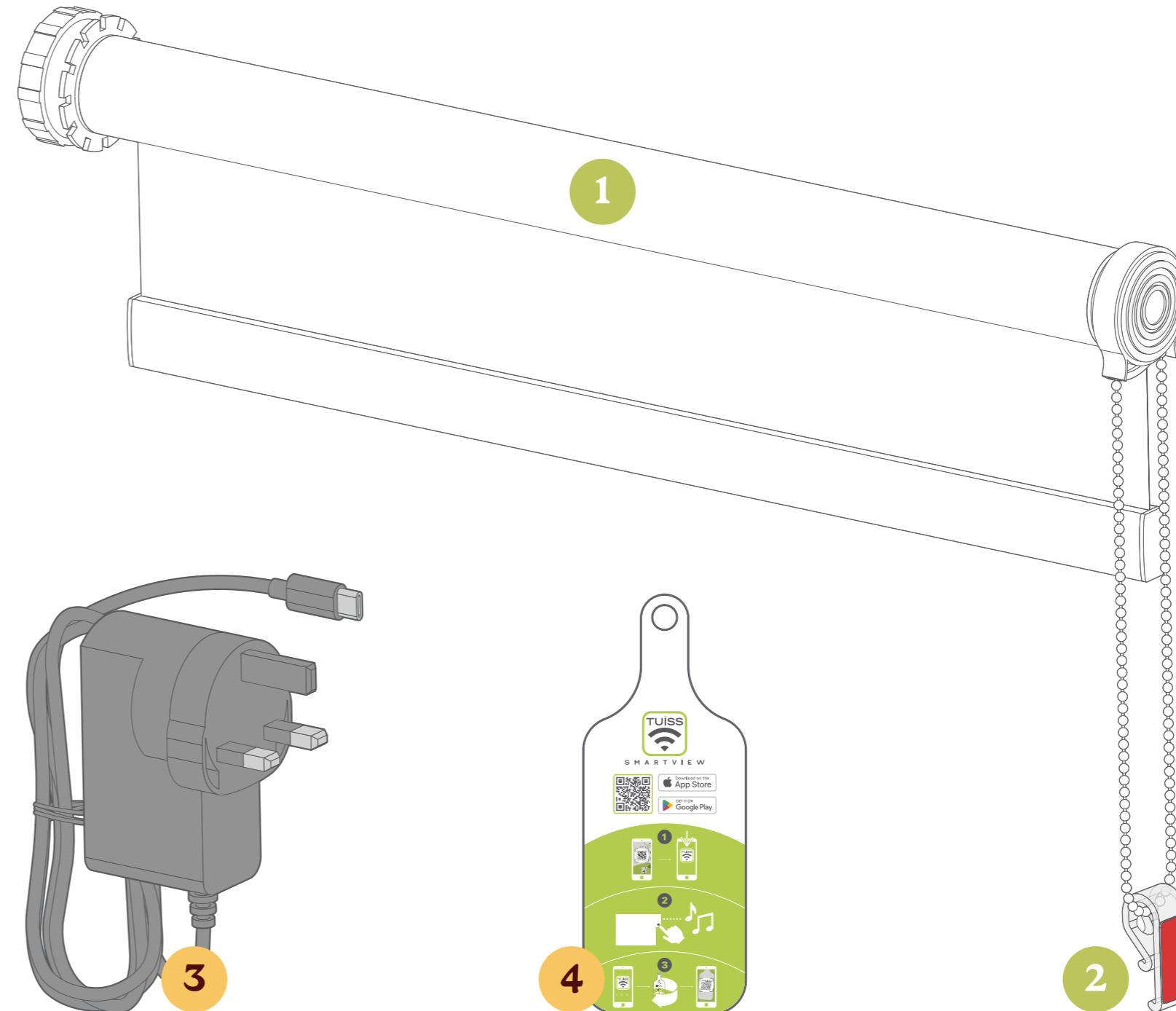


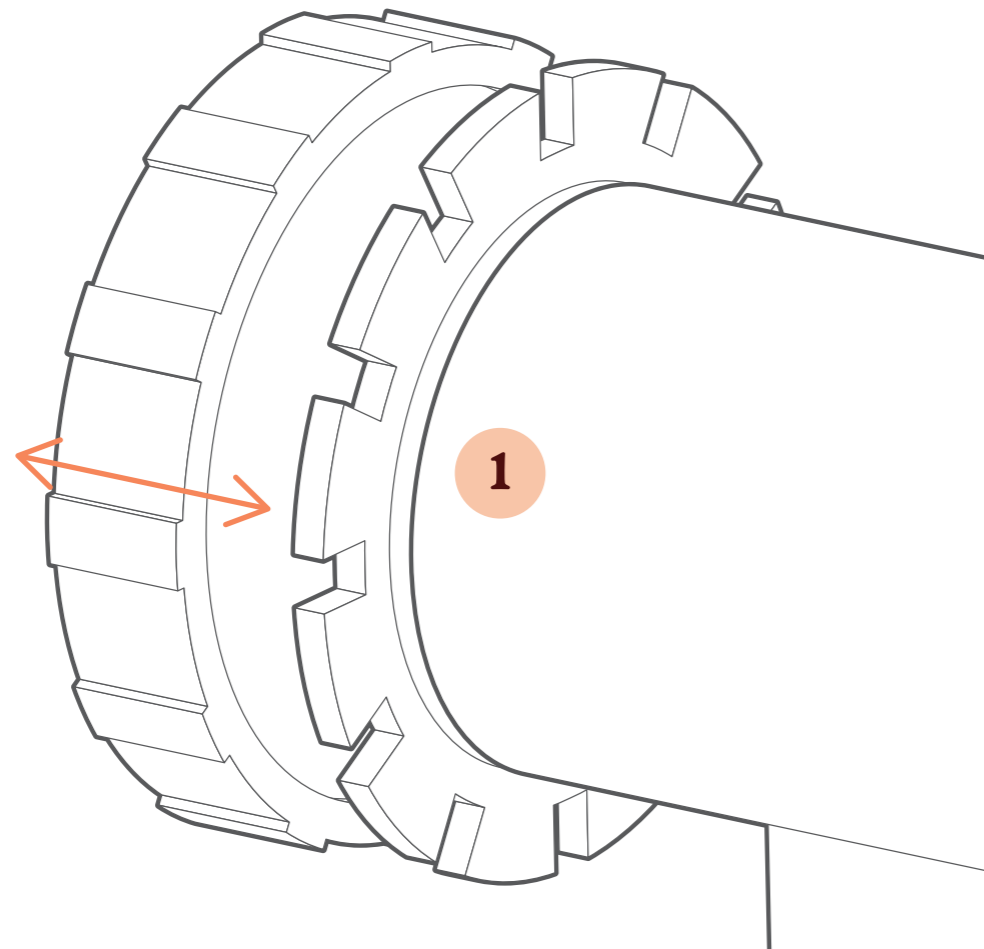
## Parts included *in your order*:

- 1 Twist2Go Roller Blind
- 2 Child Safety Clip

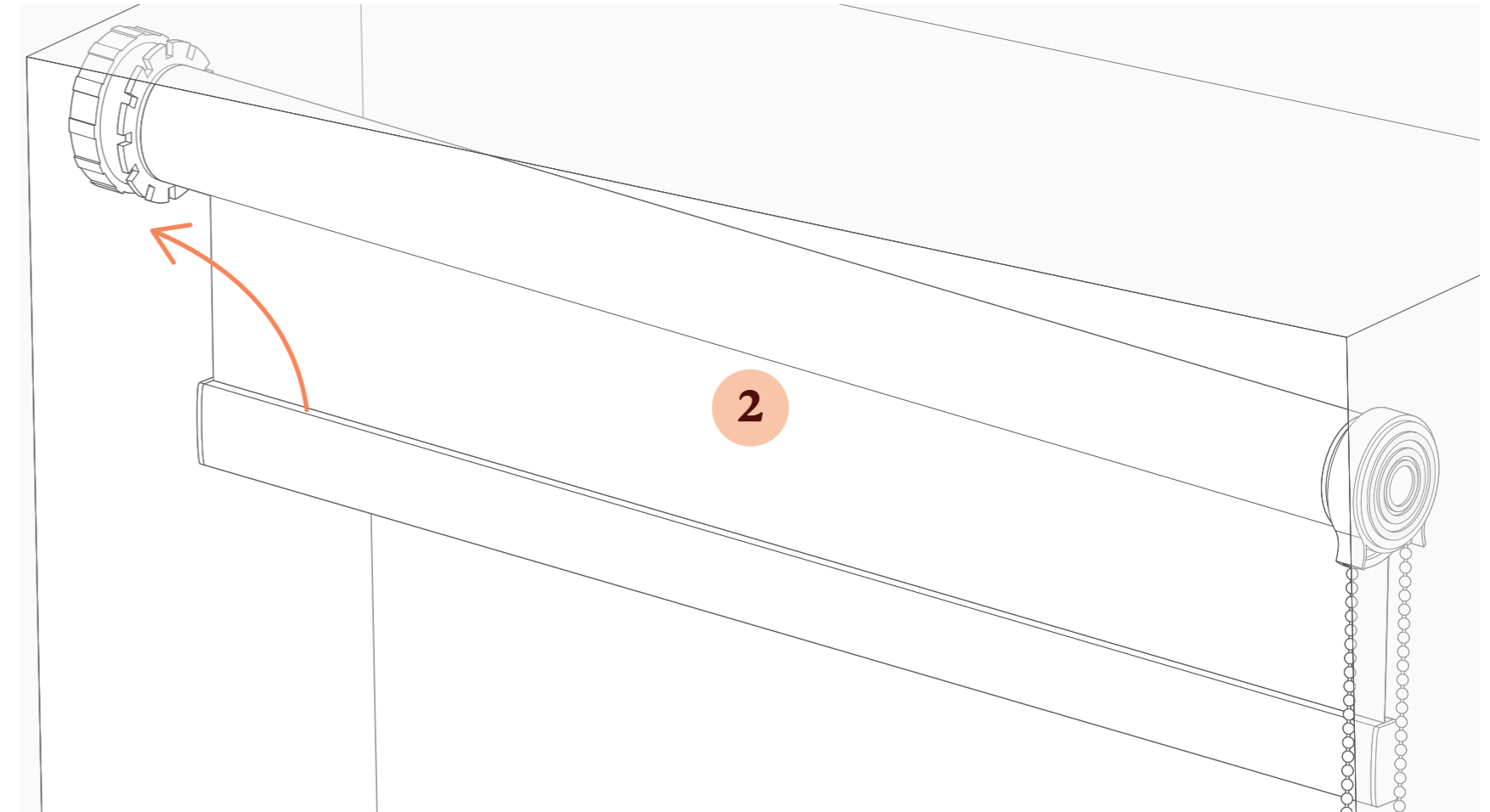
### Electric upgrade only

- 3 Plug-In Charger
- 4 SmartView label



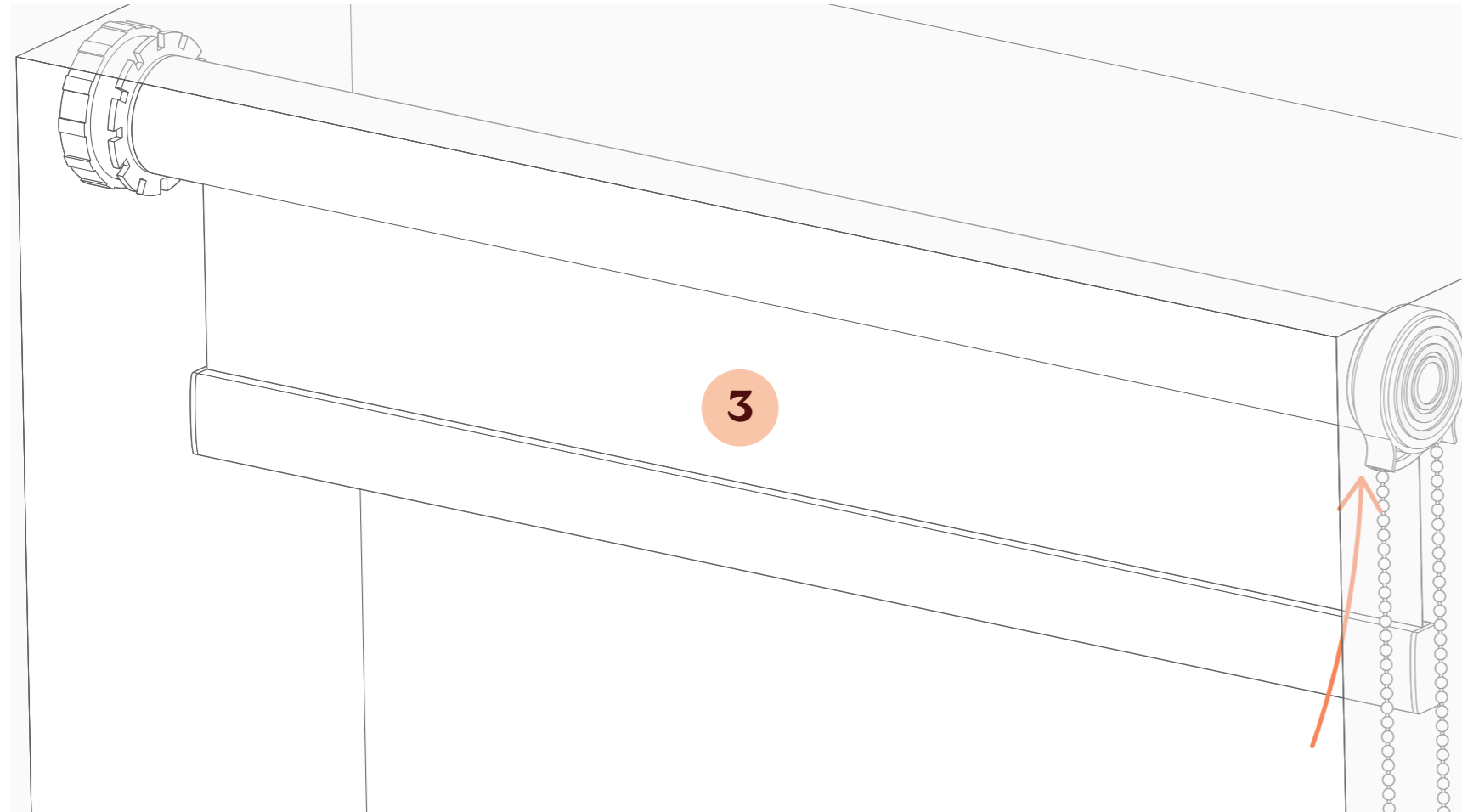


The Twist2Go mechanism is always located on the end of the blind opposite to the controls. It's spring-loaded, so can push in to allow you to squeeze the blind into the recess (1).

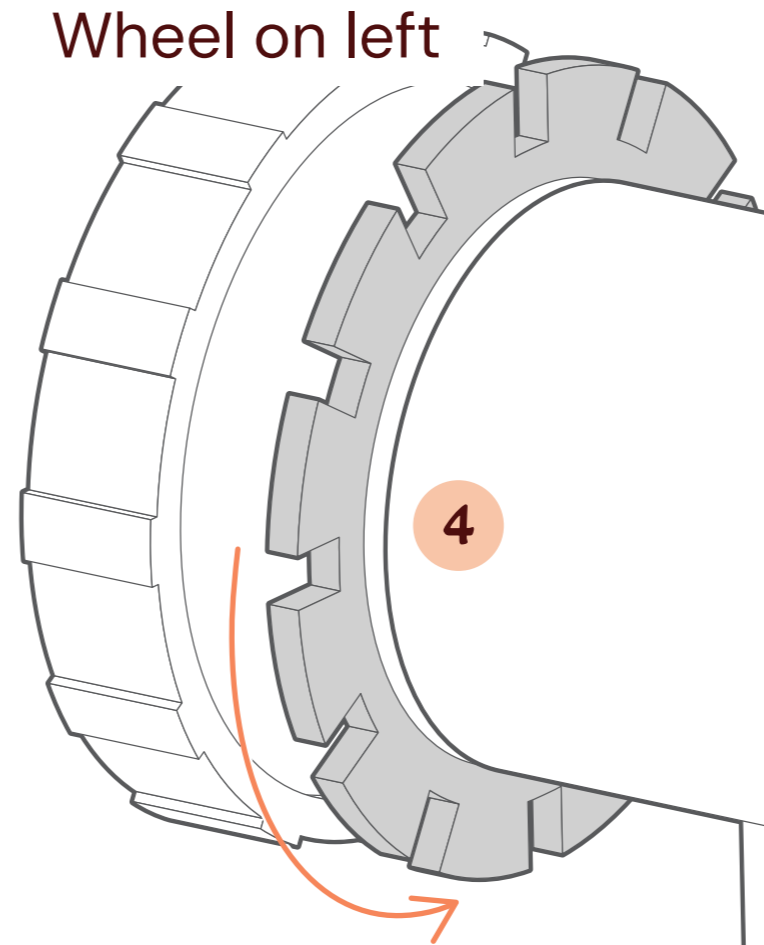


Raise the blind into the recess and press the Twist2Go mechanism against the wall (2).

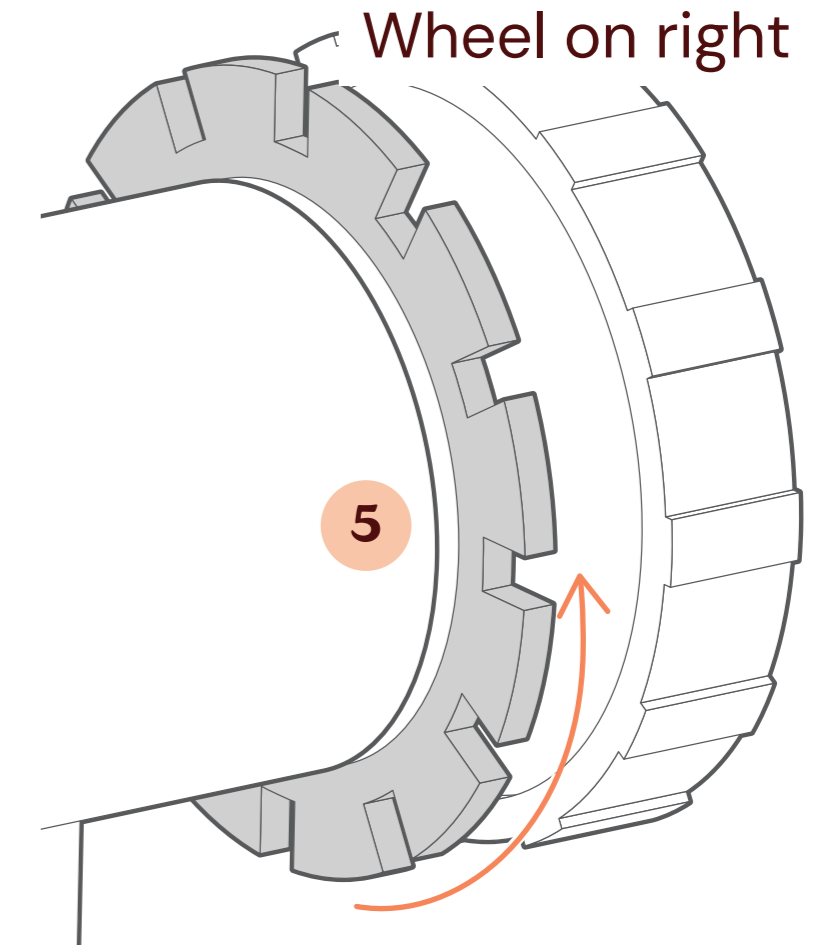
## Section 2 *Installing the Blind*



Raise the other end of the blind and straighten everything up (3).



Once you're happy with the blind's position, turn the tightening wheel on the Twist2Go mechanism until it's as tight as it will go (4 / 5).





### WARNING

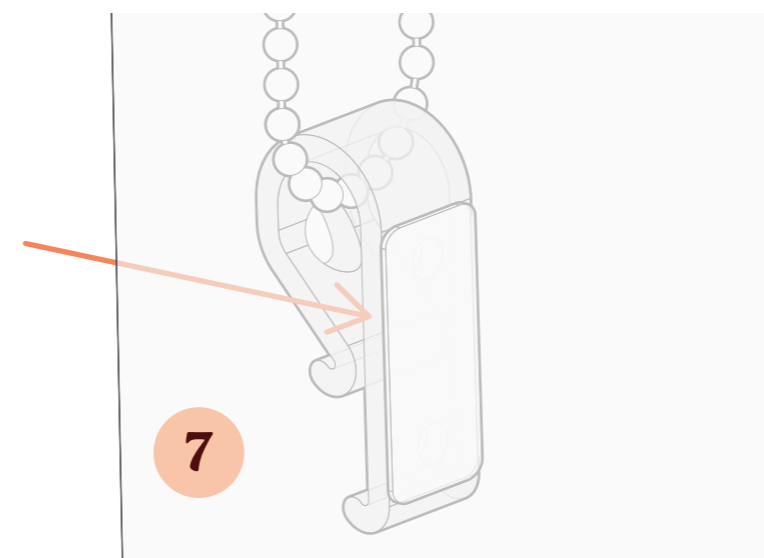
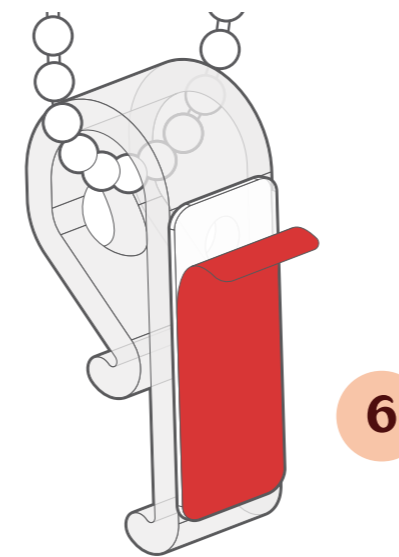
Young children can be strangled by loops in pull cords, chains, tapes and inner cords that operate the product.

To avoid strangulation and entanglement, keep cords out of the reach of young children. Cords may become wrapped around a child's neck.

Move beds, cots and furniture away from window covering cords.

Do not tie cords together. Make sure cords do not twist and create a loop.

*If you upgraded to electric, please skip this page*

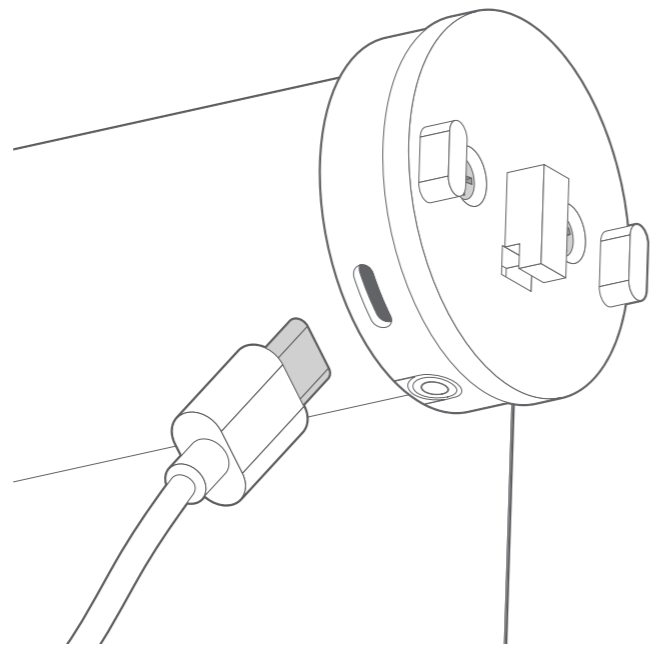


Peel the cover from the adhesive pad on the back of the safety clip (6).

Holding the control chain taut, press the clip against the wall of the recess and hold for a few moments, until it's securely adhered (7).

**And that's it! Your beautiful new blind is installed and ready to enjoy...**

## Section 4 *SmartView Electric Blinds*



Once your blinds are installed we recommend plugging in the motor for each, to allow it to fully charge before use. Plug the charging cable (included) into the motor charging port and allow to charge until the LED on the charger plug turns green. Do not over-charge, as this can damage the battery.



On the front of the swing tag that comes with each blind, you'll find a handy QR code you can scan with your phone. Scan this to download the SmartView app – you'll be setting up your blinds in moments!

Recycle your electrical and electronic devices free at your local recycling centre. To find your nearest centre, visit the [Recycle More](#) website and type in your postcode.



Blinds2Go Ltd is part of the DTS scheme.