

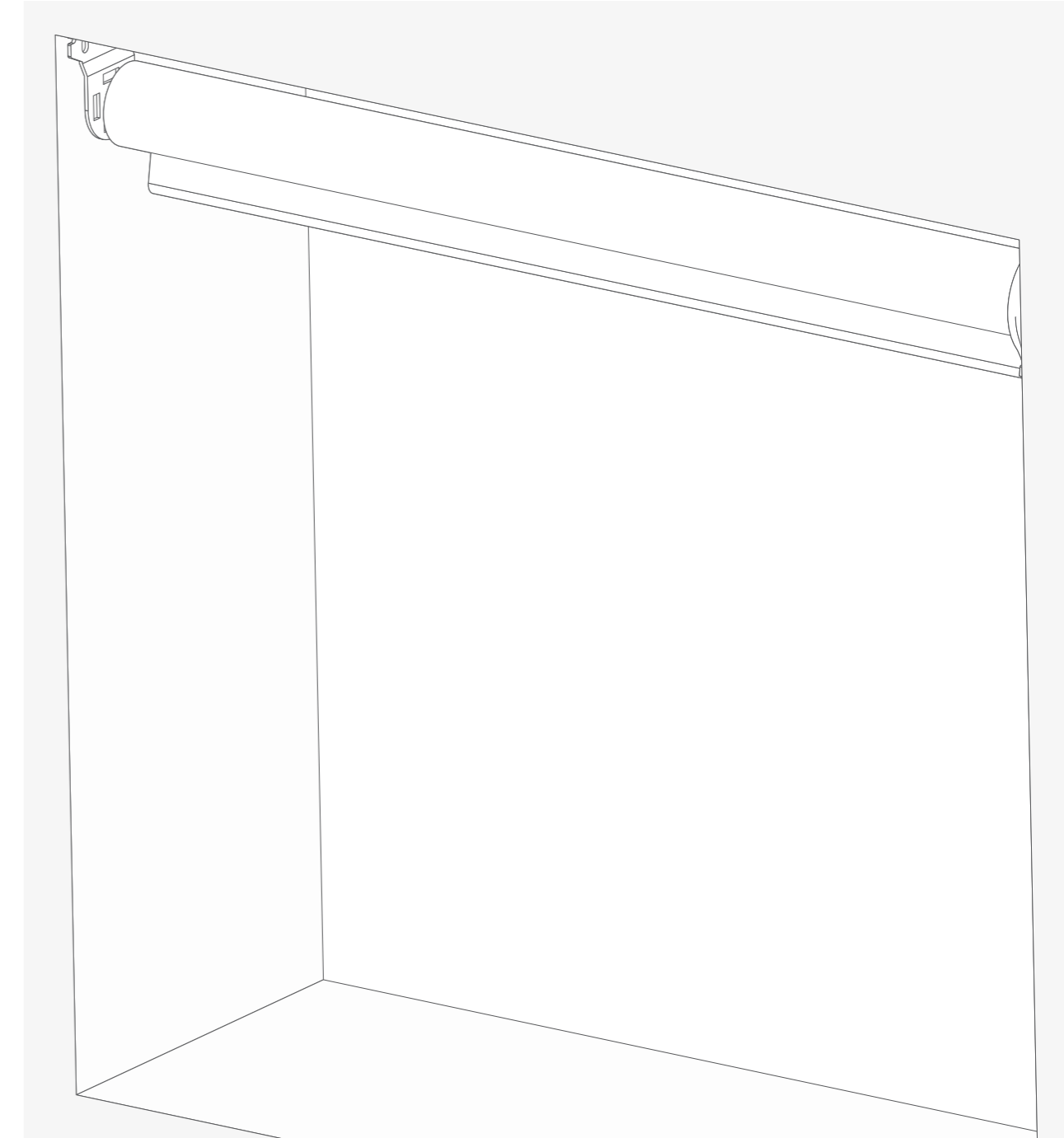
Turn your phone or tablet

Our guides are best viewed in landscape if you're viewing on your phone or tablet.

Designed for *DIY*

Our Roller Blinds are designed to be installed by you, without specialist fitters, even if you don't have much DIY experience.

Please read each page of this guide carefully during installation, following along one step at a time.



Did you *upgrade*?

There are a number of different finishes and options available for our Roller Blinds, so take a moment to ensure you're reading the right instructions for your blind. Just click or tap on the guide that matches your choice.

If you didn't choose any upgrades for your blind then you can skip to the next page.

Electric Upgrade



Decorative Cassette Upgrade



Twist2Go No Drill Upgrade

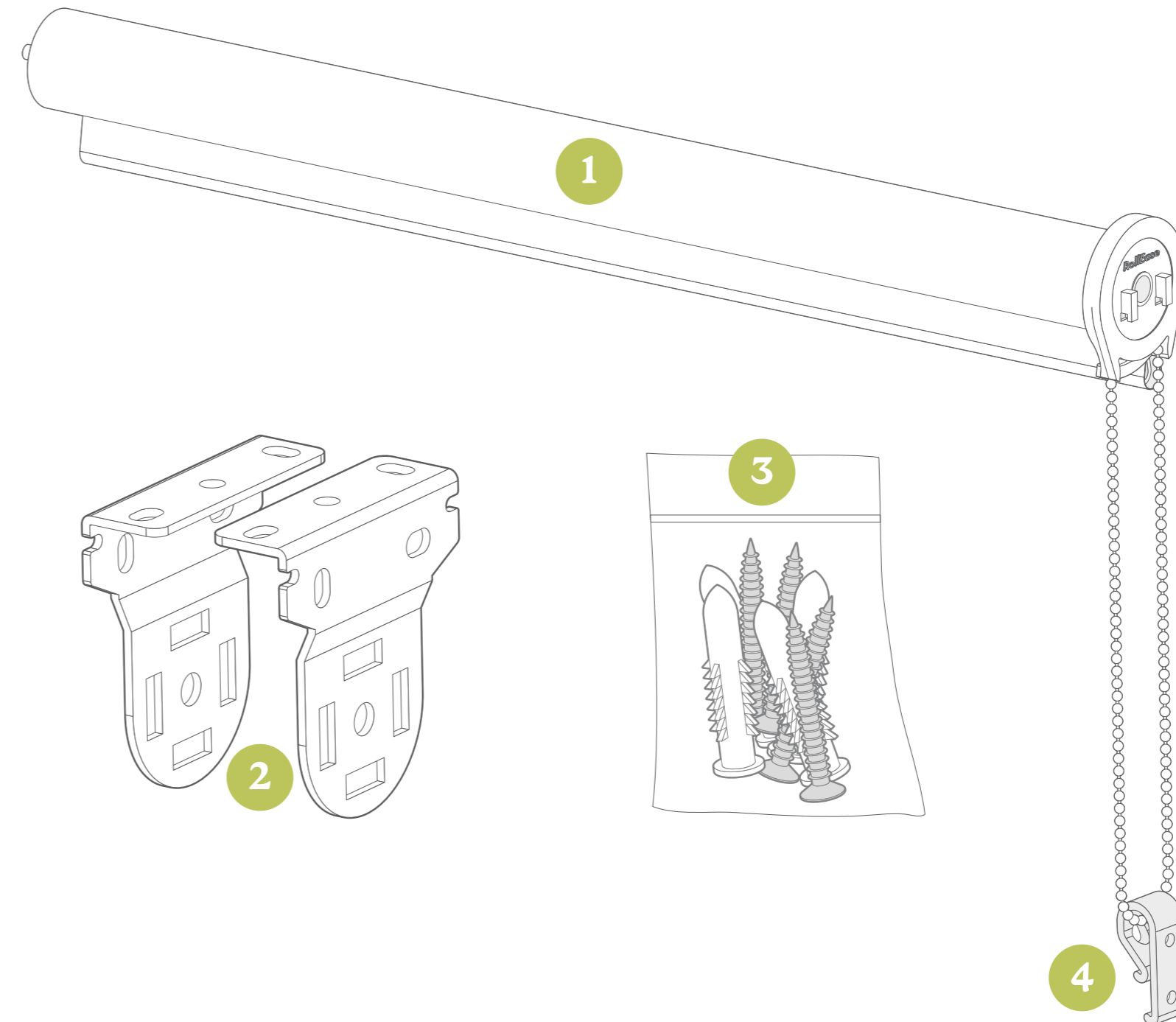


Tools required for this install:

- ✓ Handheld drill
- ✓ 4mm masonry drill bit
- ✓ Phillips screwdriver / driver bit
- ✓ Mallet / hammer
- ✓ Pen / pencil

Parts included in your order:

- 1 Roller Blind
- 2 Mounting brackets
- 3 Mounting brackets
- 4 Child Safety Clip



Section 2 *Installing the Brackets*

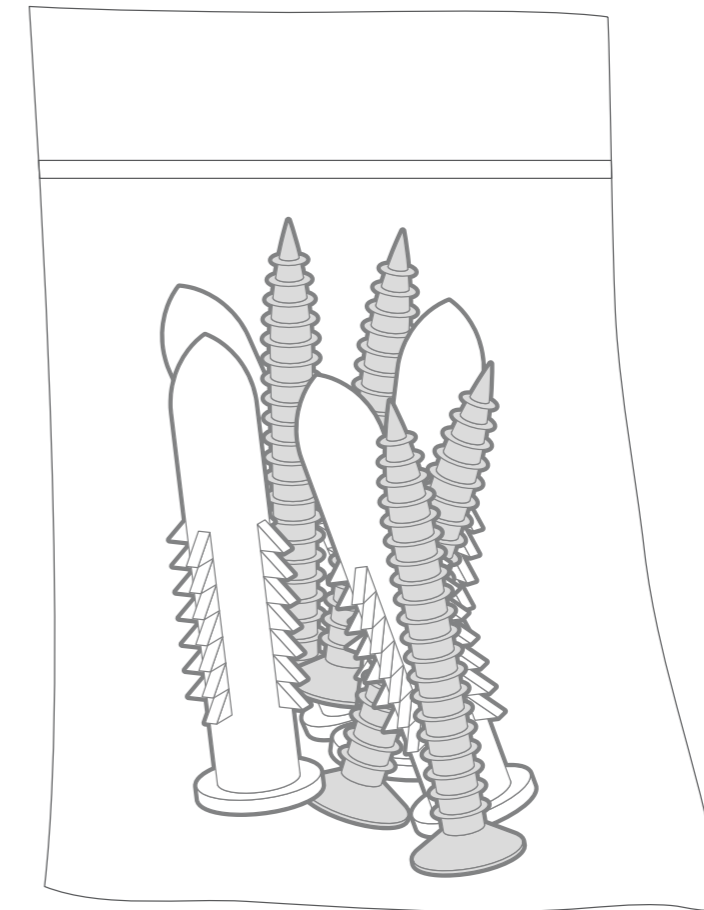
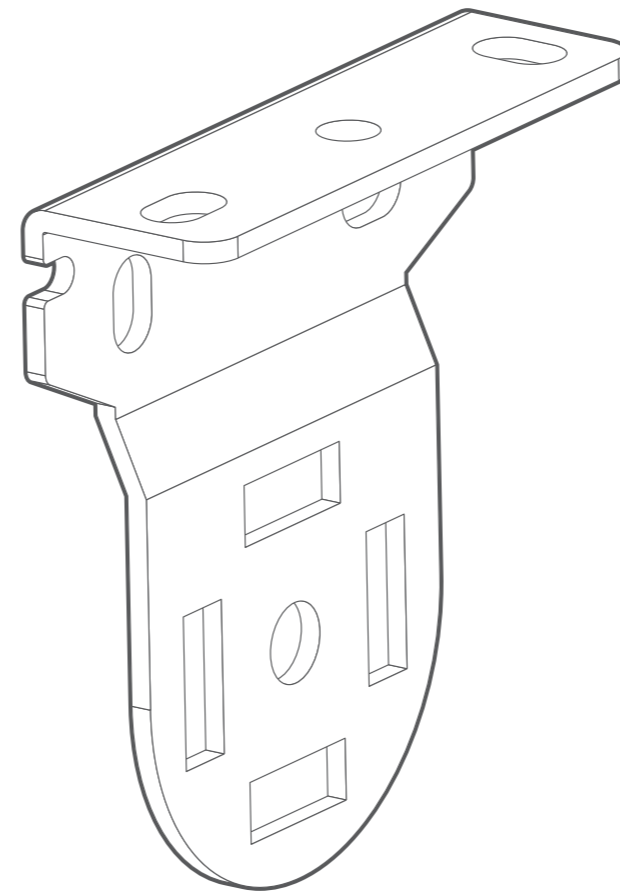
Tools required for this section:

- ✓ Handheld drill
- ✓ 4mm masonry drill bit
- ✓ Phillips screwdriver / driver bit
- ✓ Mallet / hammer
- ✓ Pen / pencil

Parts required for this section:

Mounting brackets

Screws & wall plugs

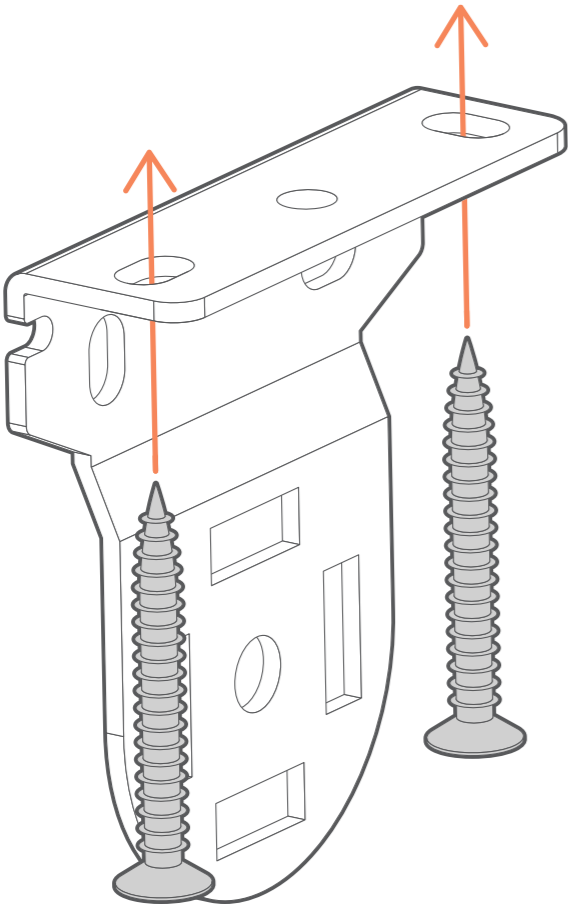


Section 2 *Installing the Brackets*

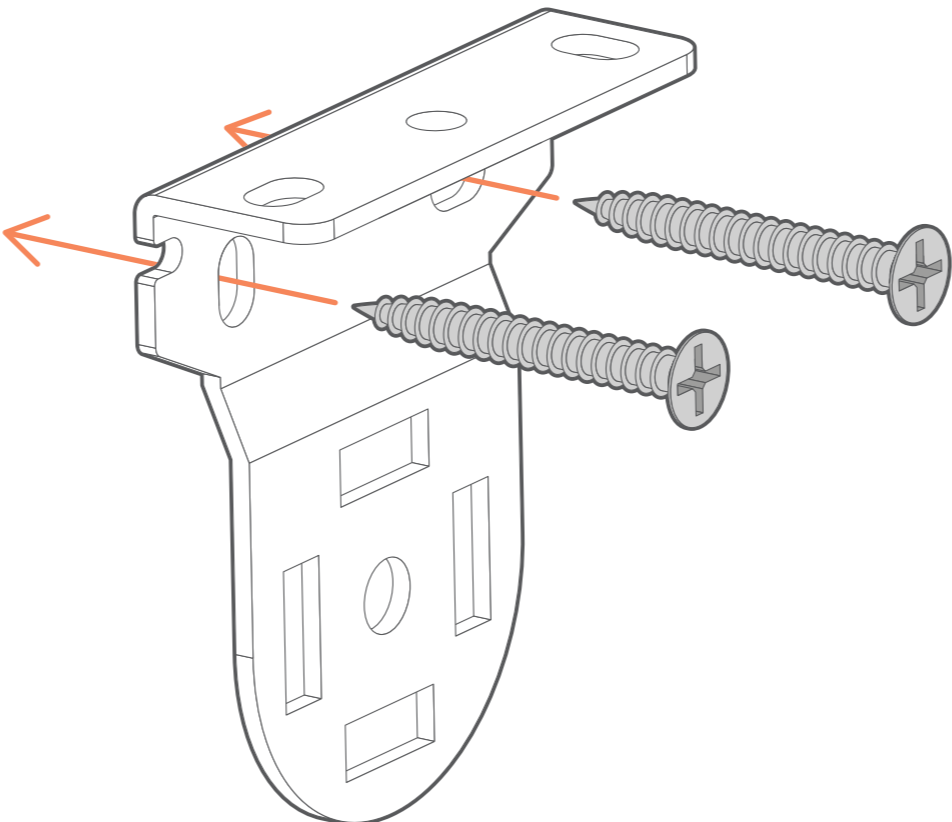
First, choose the method you'll be using to install your brackets:

Inside the recess

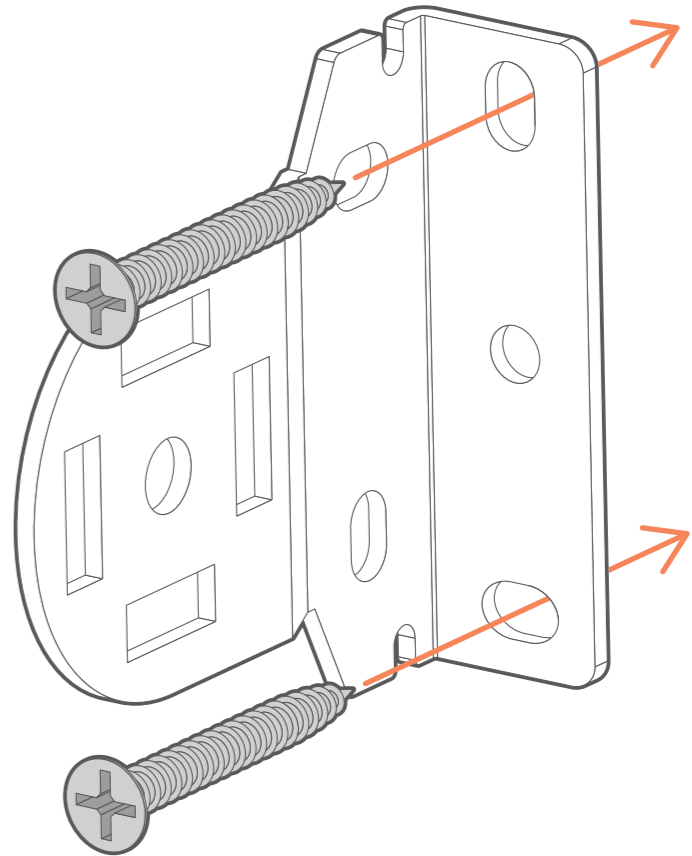
Outside the recess



Top fixing
Screw the brackets into the top of the recess.

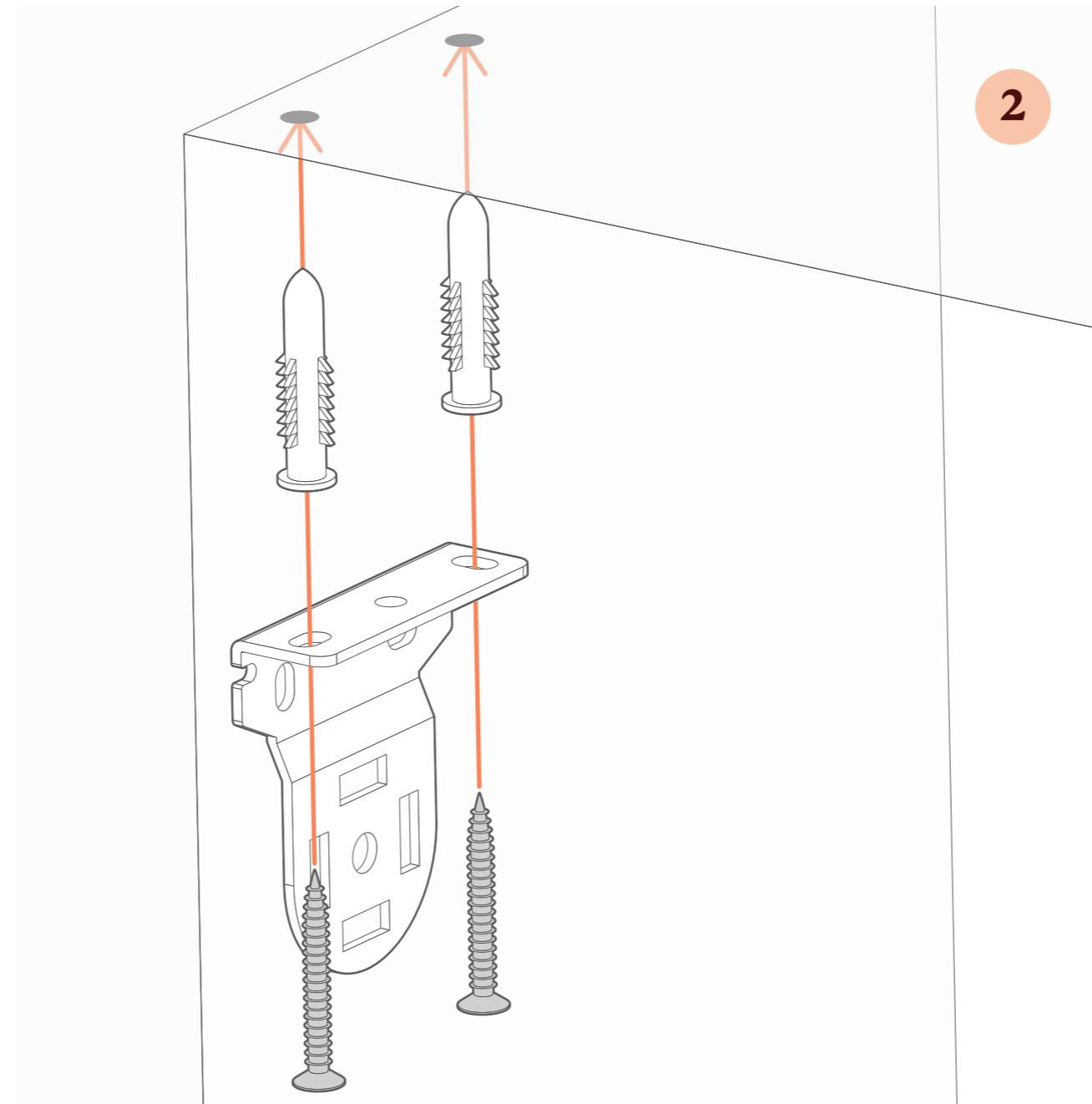
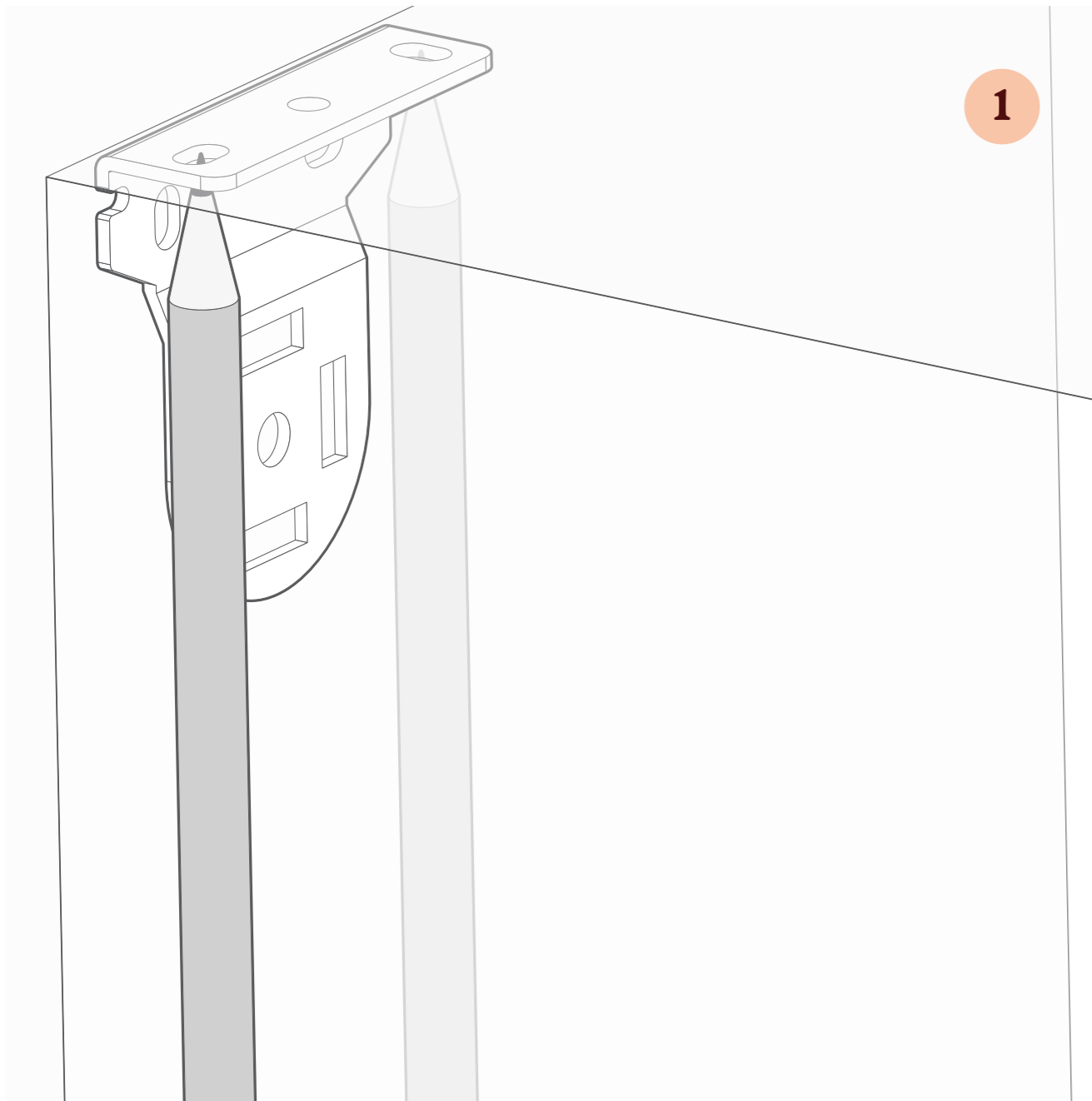


Side fixing
Screw the brackets into the side walls of the recess.



Face fixing
Screw the brackets into the wall above the recess.

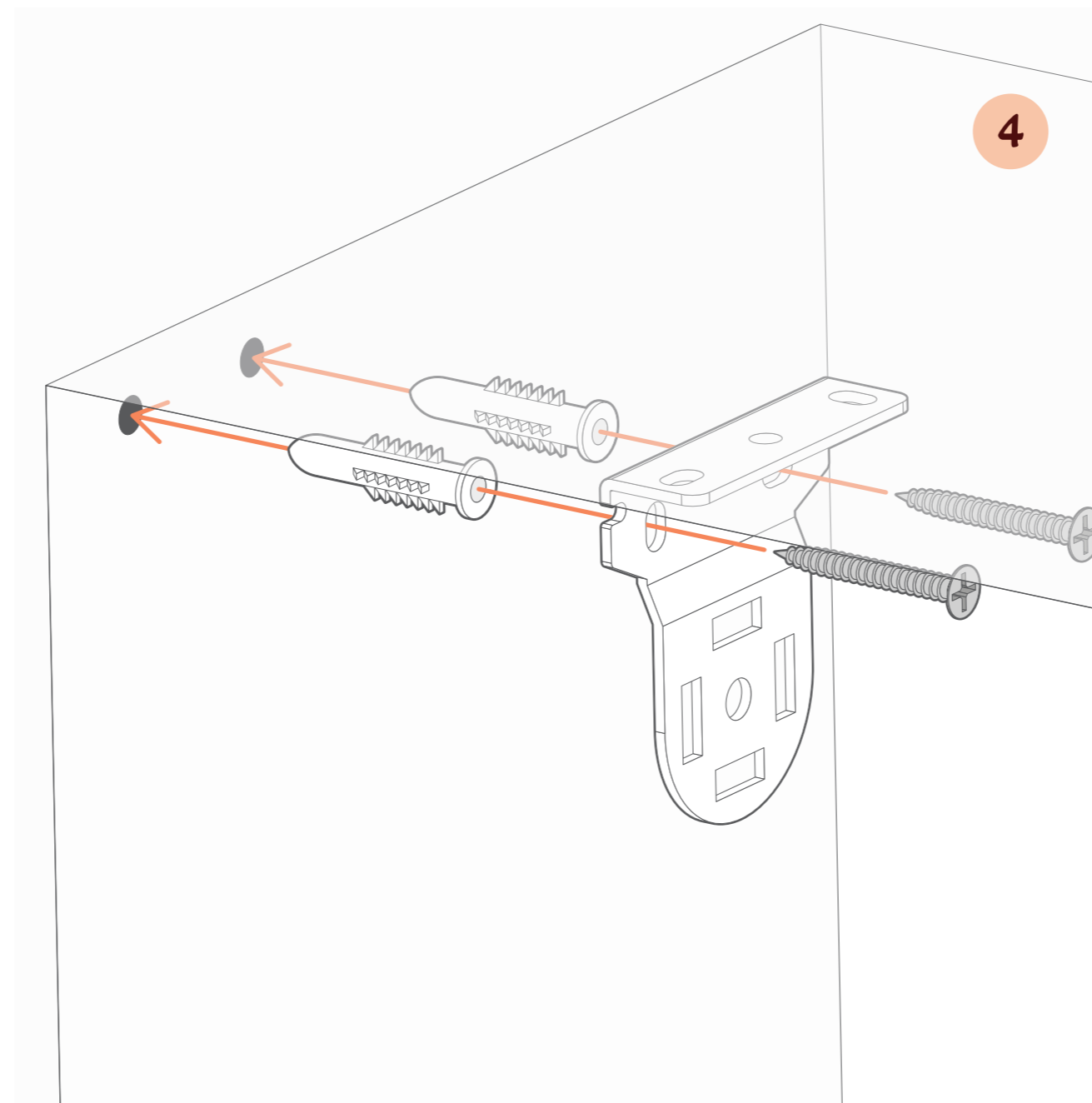
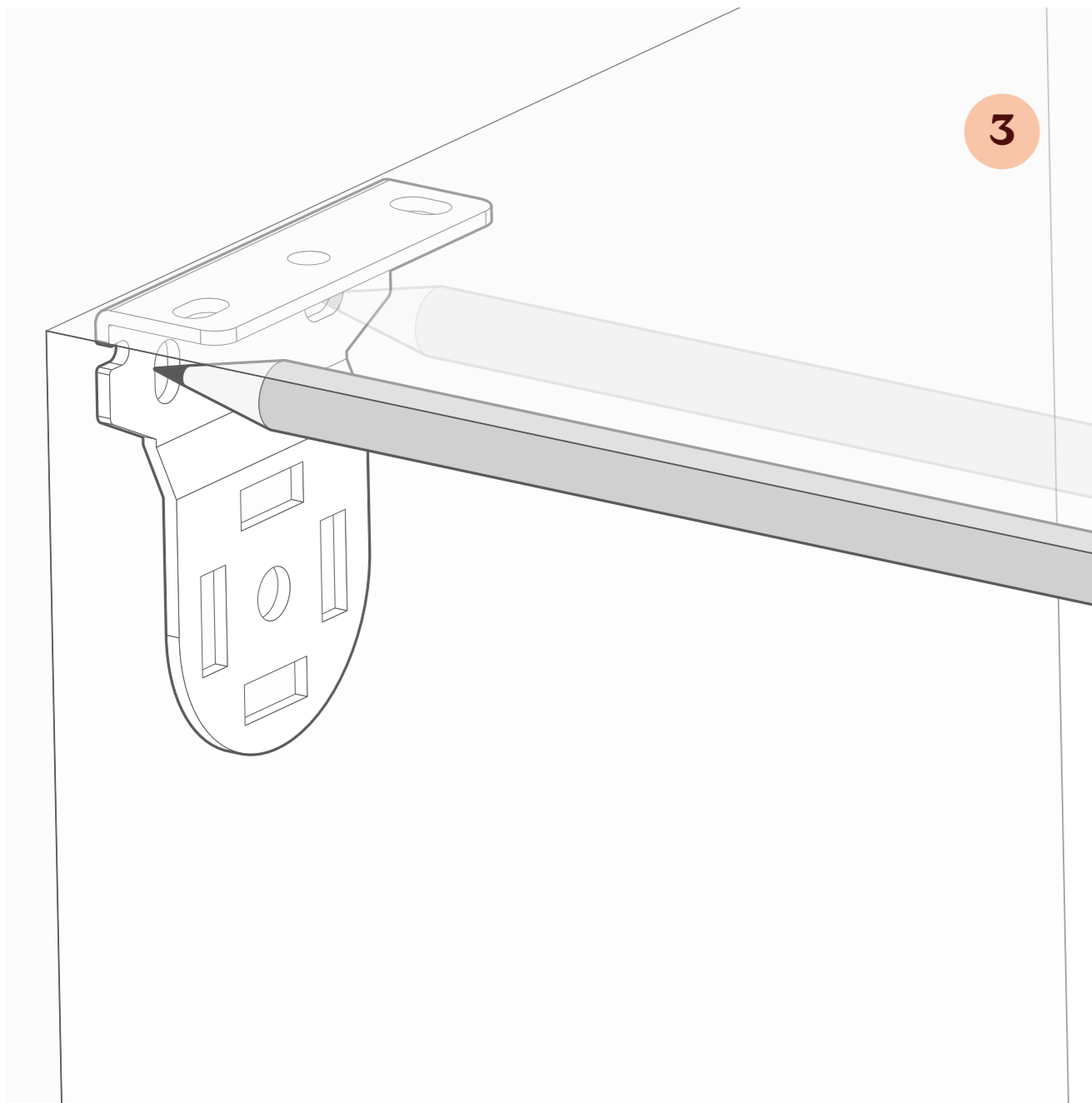
Section 2 *Installing the Brackets - Top-Fixing*



Hold the brackets in position up against the top of the recess and mark the locations of the screw holes on each bracket with a pen or pencil (1).

Drill a hole at each mark, then use the screws and wall plugs provided to secure the brackets (2).

Section 2 *Installing the Brackets - Side-Fixing*

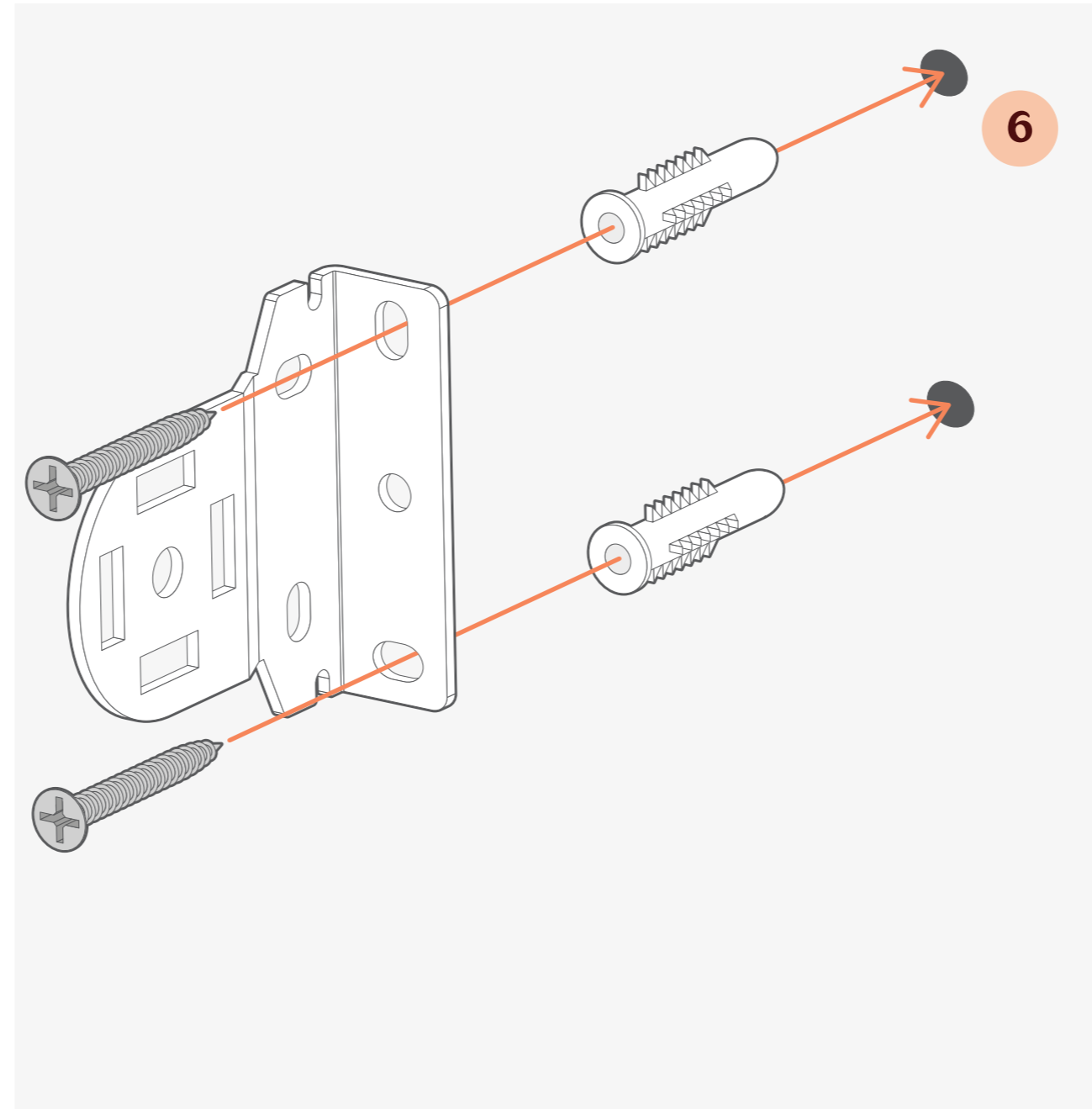
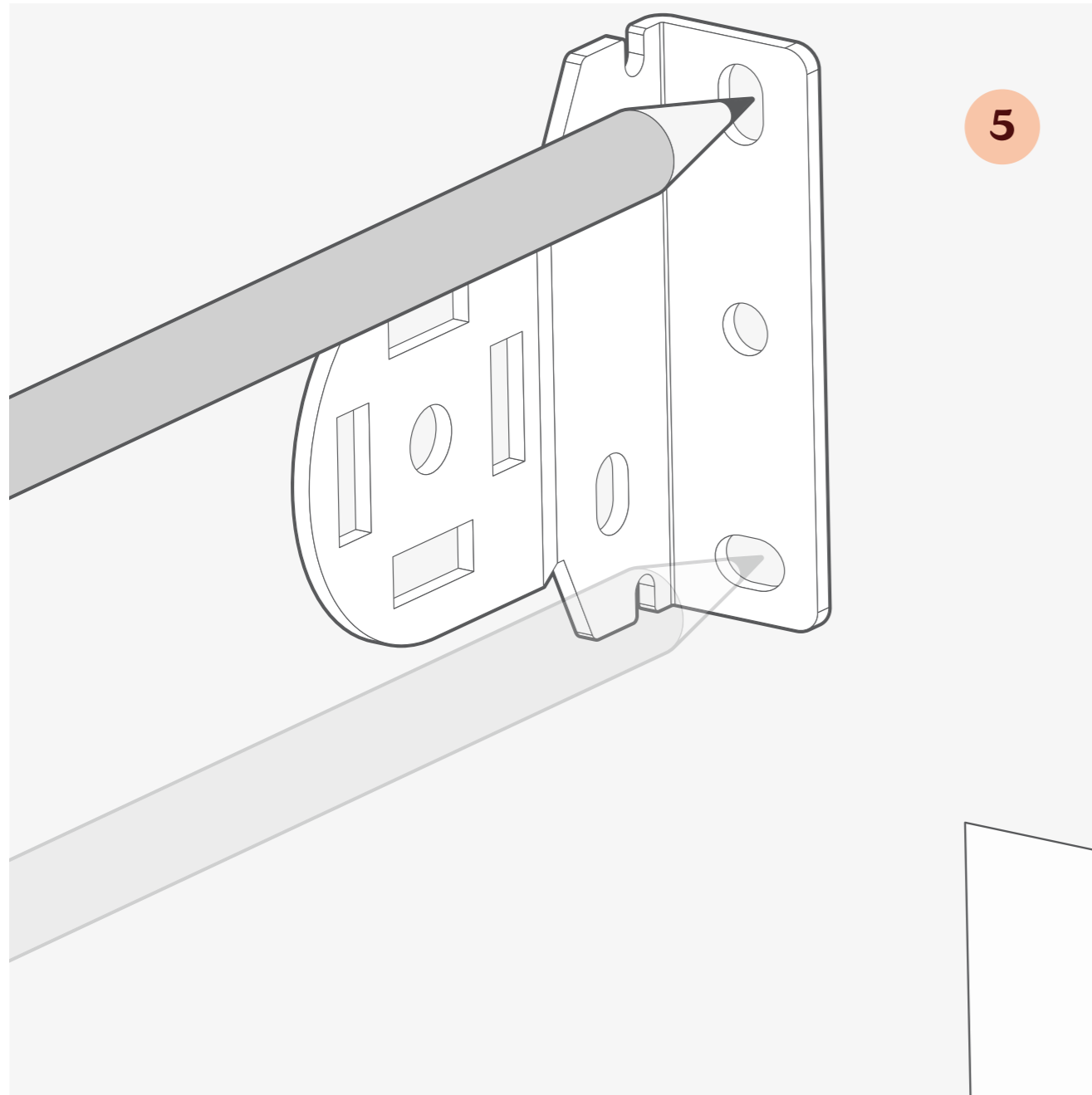


Hold the brackets in position up against the top of the recess and mark the locations of the screw holes on each bracket with a pen or pencil (3).

Drill a hole at each mark, then use the screws and wall plugs provided to secure the brackets in place (4).

Note, when drilling the screw holes you'll likely need to hold the drill up at a slight angle so the top of the drill doesn't dig into the top of the recess.

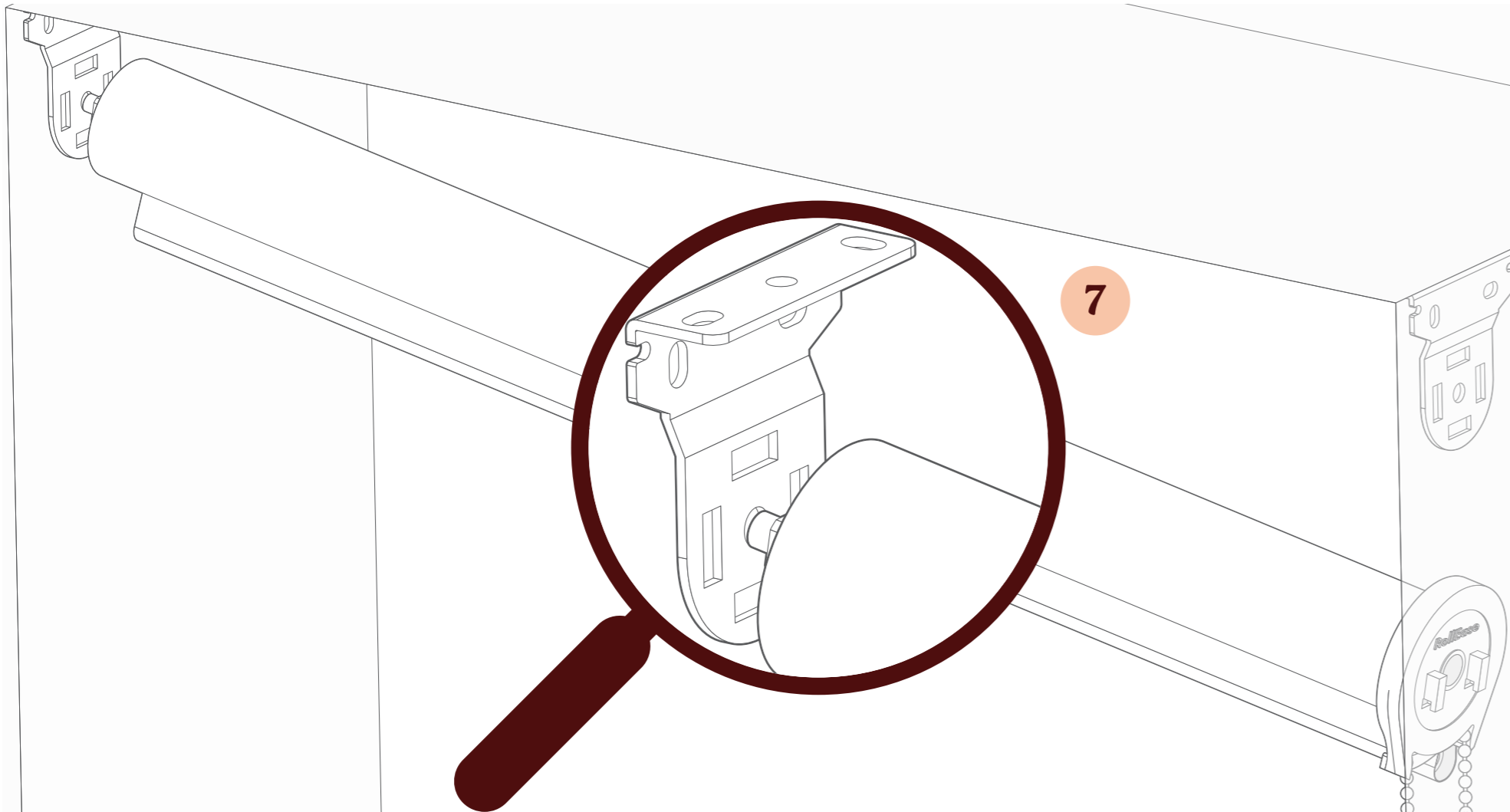
Section 2 *Installing the Brackets - Face-Fixing*



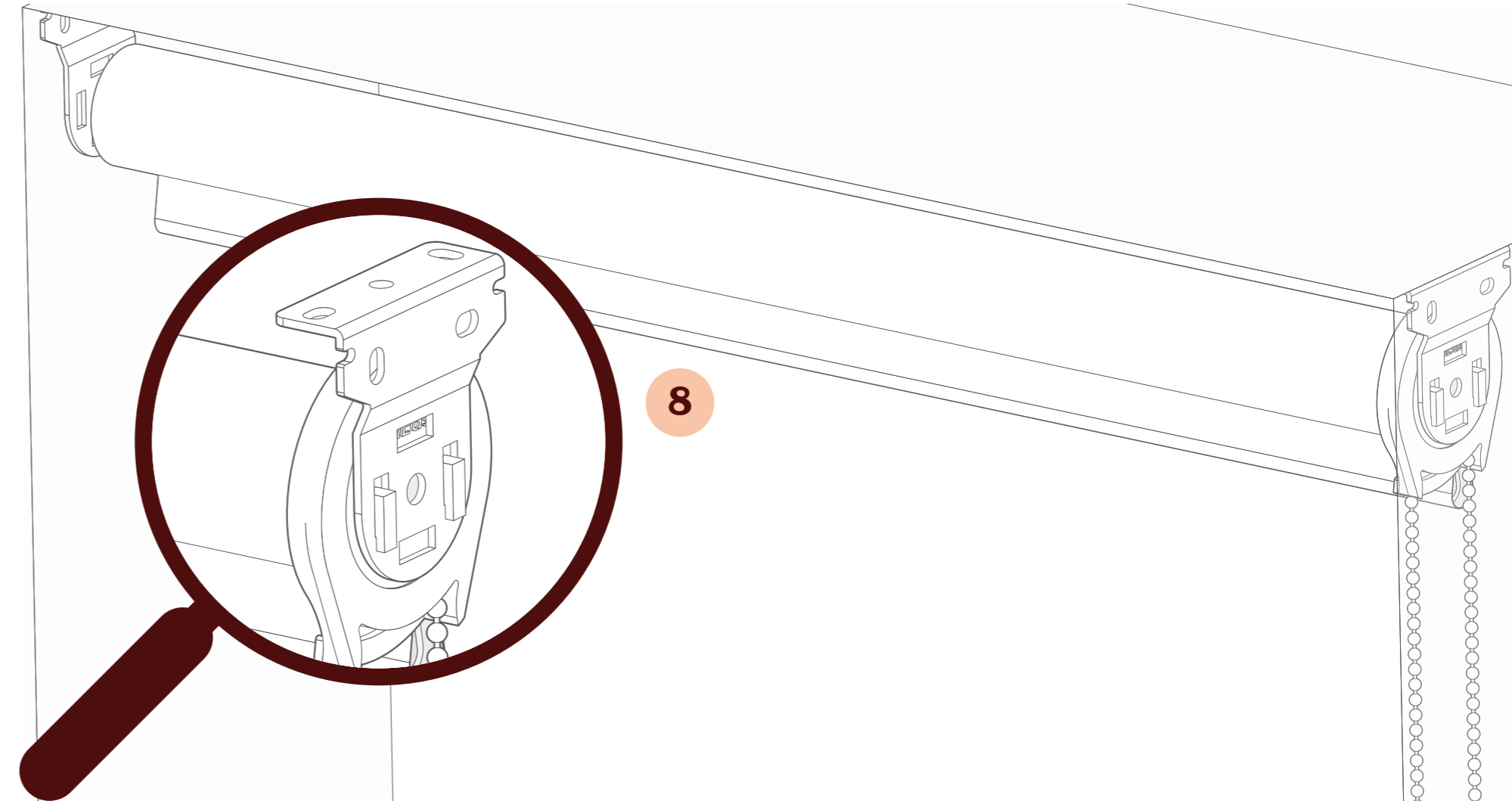
Hold the brackets in position up against the wall and mark the locations of the screw holes on each bracket with a pen or pencil (5). The bracket locations should match the top corners of where you took your measurements originally.

Drill a hole at each mark, then use the screws and wall plugs provided to secure the brackets in place (6).

Note: when positioning the brackets, take a moment to make sure they're level, and that they're an equal distance each side from the edge of the recess.



Lif the end of the blind opposite to the controls up to its bracket. locate the depression pin in the centre hole of the bracket (7).



Now lif the control end of the blind and slot the rectangular studs on the control mechanism into the centre cross of the other bracket and pull down to lock it in (8).

Section 4 Child Safety



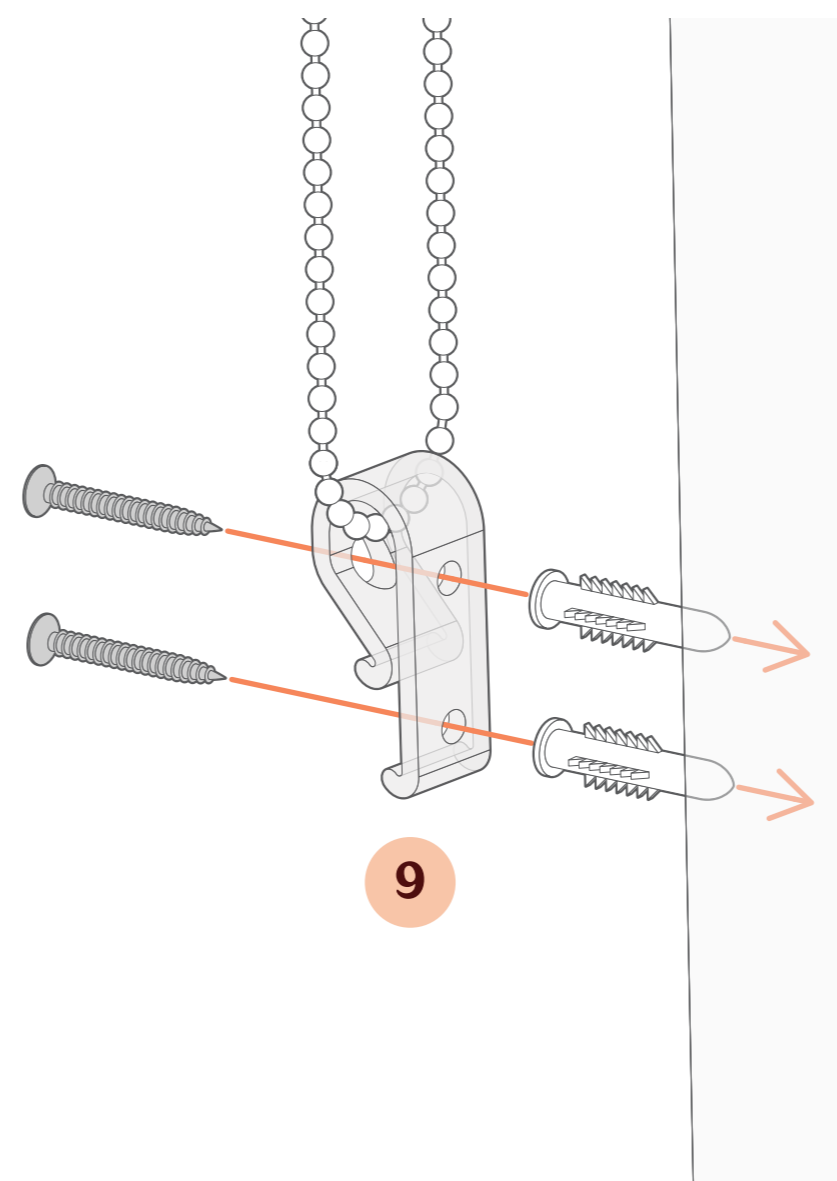
WARNING

Young children can be strangled by loops in pull cords, chains, tapes and inner cords that operate the product.

To avoid strangulation and entanglement, keep cords out of the reach of young children. Cords may become wrapped around a child's neck.

Move beds, cots and furniture away from window covering cords.

Do not tie cords together. Make sure cords do not twist and create a loop.



A child safety clip is provided, which is clipped onto the control cord already.

Holding the cord taut, mark the position of the clip on the wall with a pen or pencil, then drill your screw holes and use the fixings provided to secure the clip in place (9).

And that's it! Your beautiful new blind is installed and ready to enjoy...