

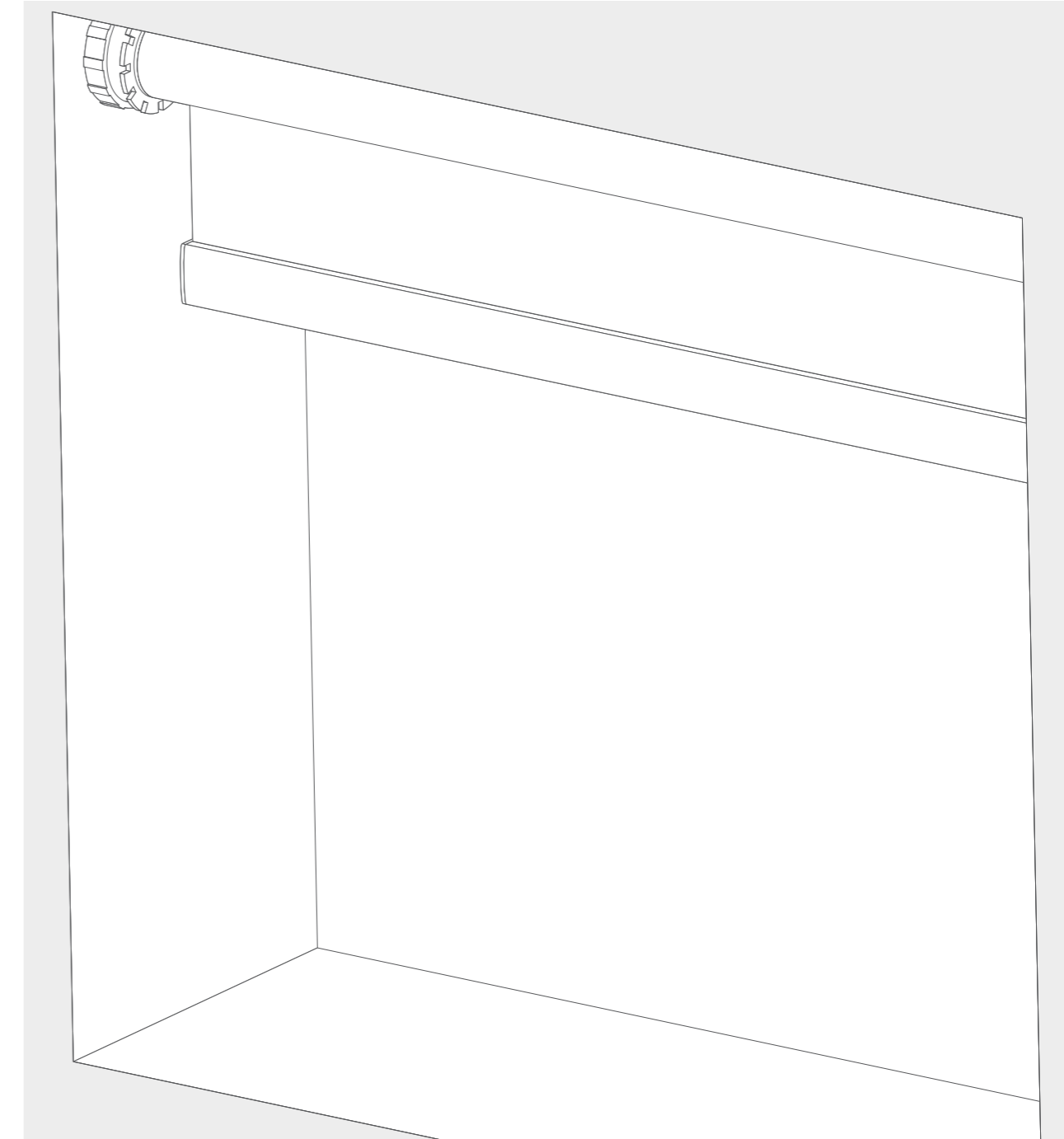
### Turn your phone or tablet

Our guides are best viewed in landscape if you're viewing on your phone or tablet.

### Designed for *DIY*

Our Twist2Go No-Drill Roller Blinds are designed to be installed by you, without specialist fitters, even if you don't have much DIY experience.

**Please read each page of this guide carefully during installation, following along one step at a time.**



## Did you *upgrade*?

There are a number of different finishes and options available for our Roller Blinds, so take a moment to ensure you're reading the right instructions for your blind. Just click or tap on the guide that matches your choice.

*This guide is for roller blinds upgraded with Twist2Go no-drill fitting, and for those with both the no-drill and electric upgrades. If that matches what you've ordered then you can skip this page.*

**No Upgrades**



**Decorative Cassette Upgrade**

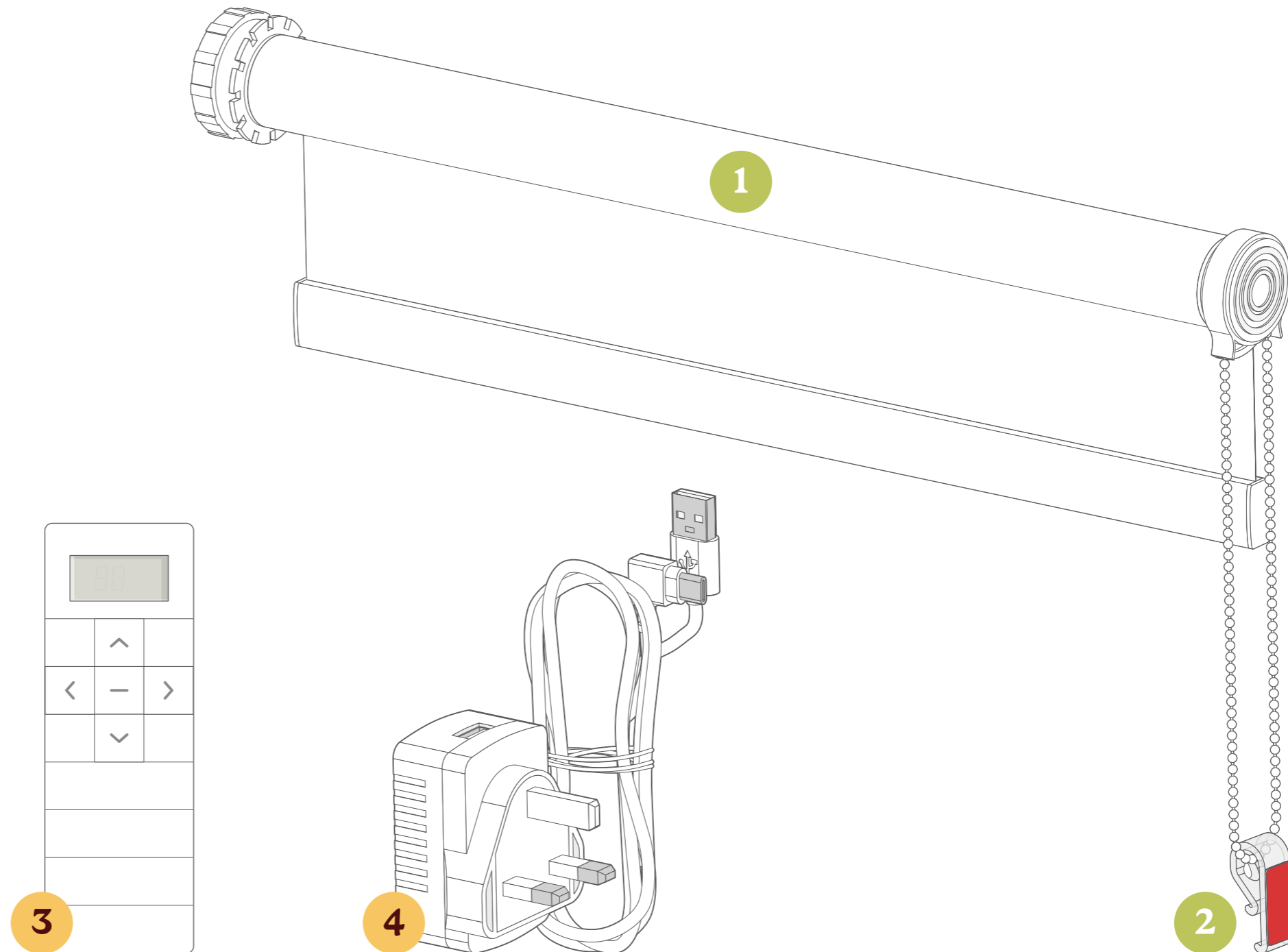


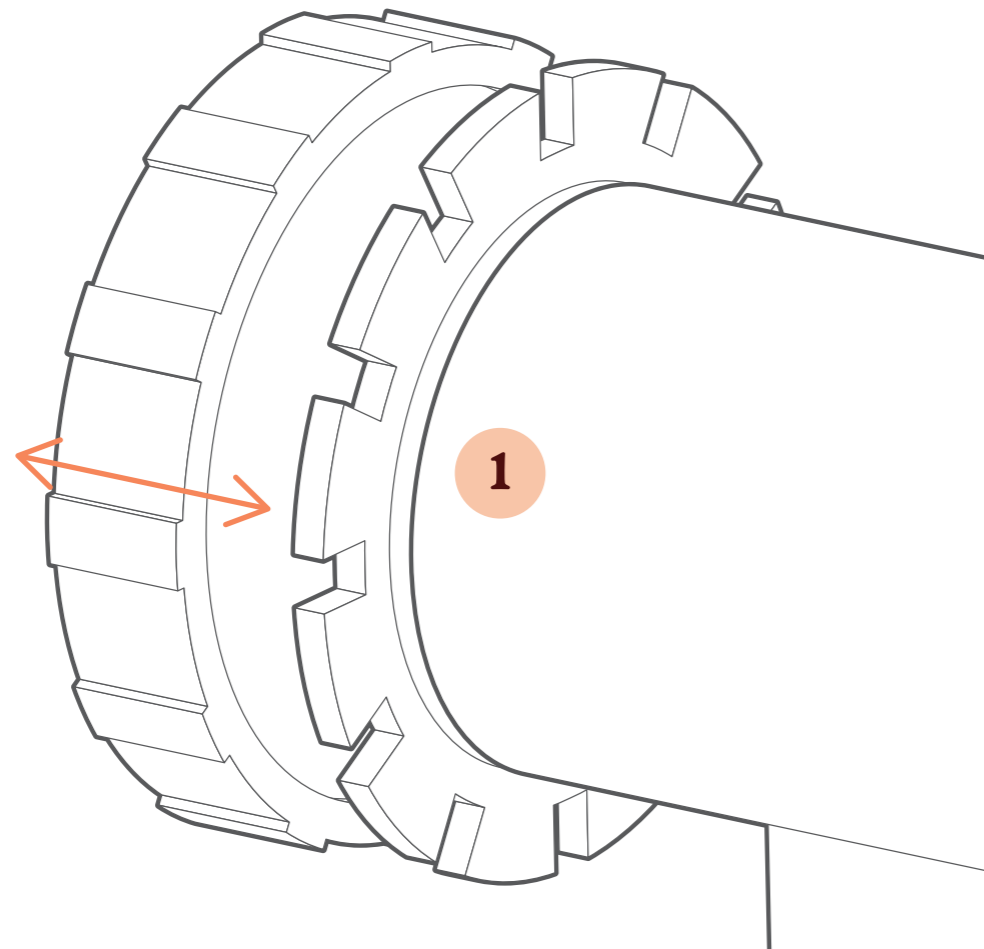
## Parts included *in your order*:

- 1 Twist2Go Roller Blind
- 2 Child Safety Clip

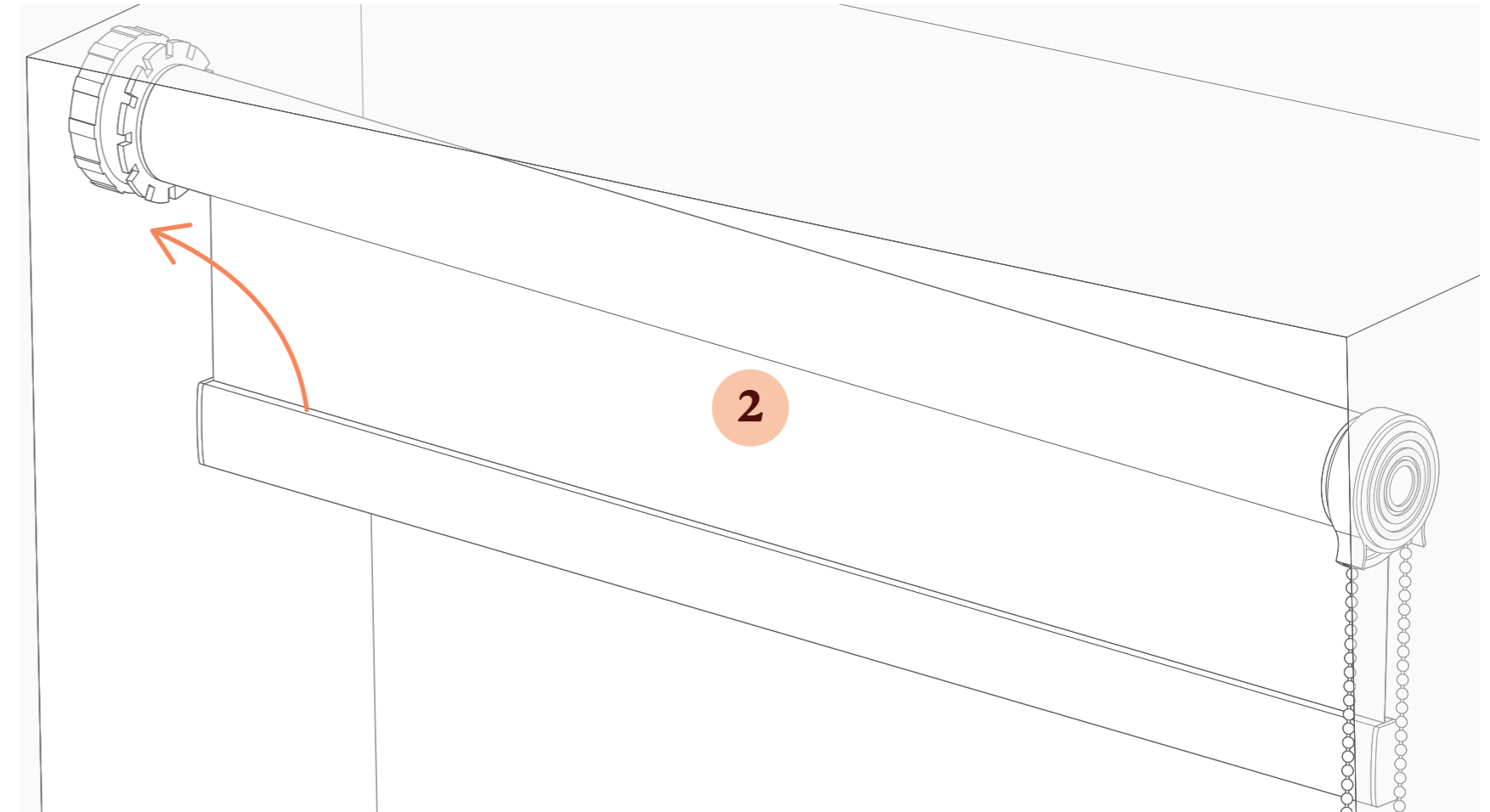
### Electric upgrade only

- 3 Remote Control
- 4 Plug-In Charger



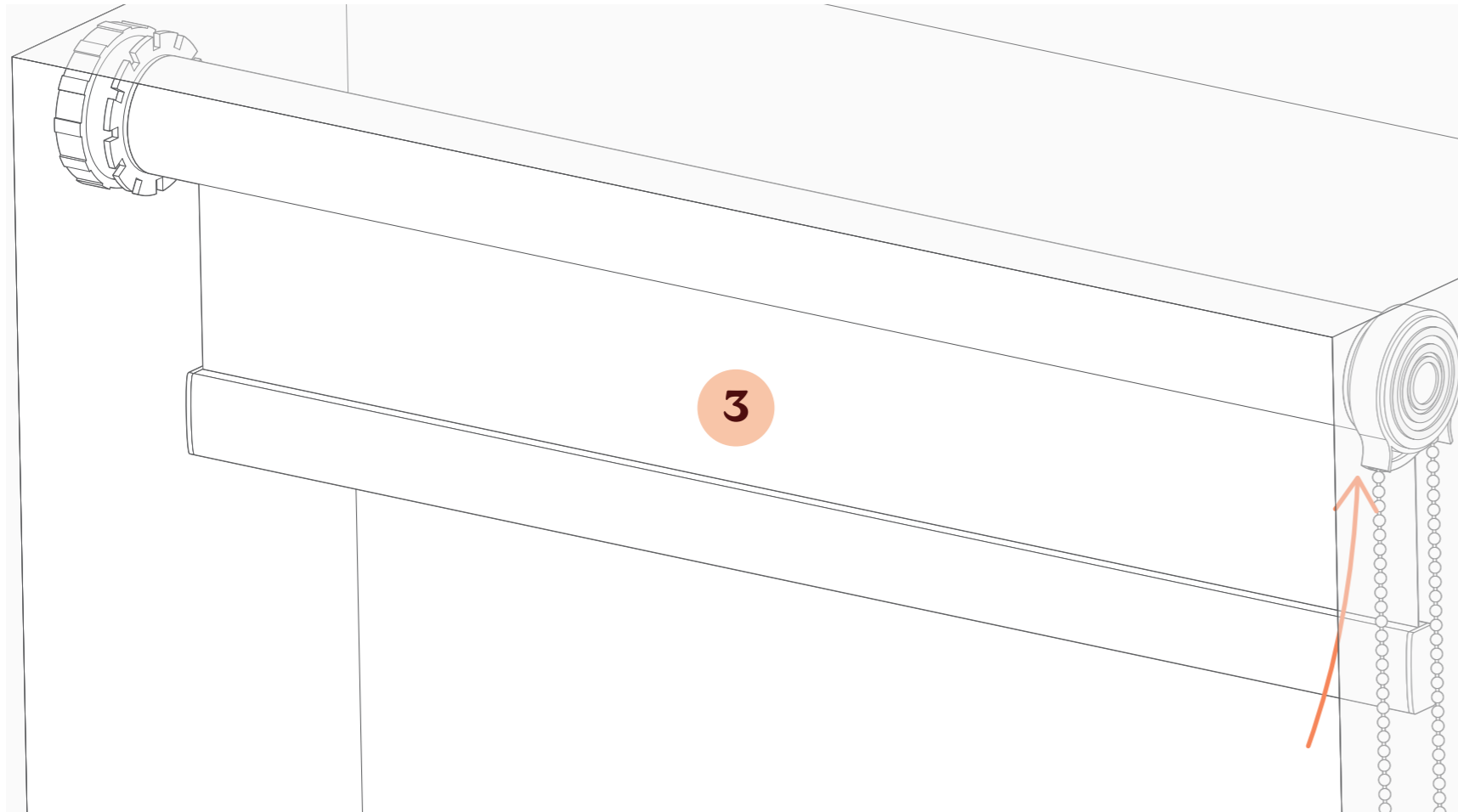


The Twist2Go mechanism is always located on the end of the blind opposite to the controls. It's spring-loaded, so can push in to allow you to squeeze the blind into the recess (1).

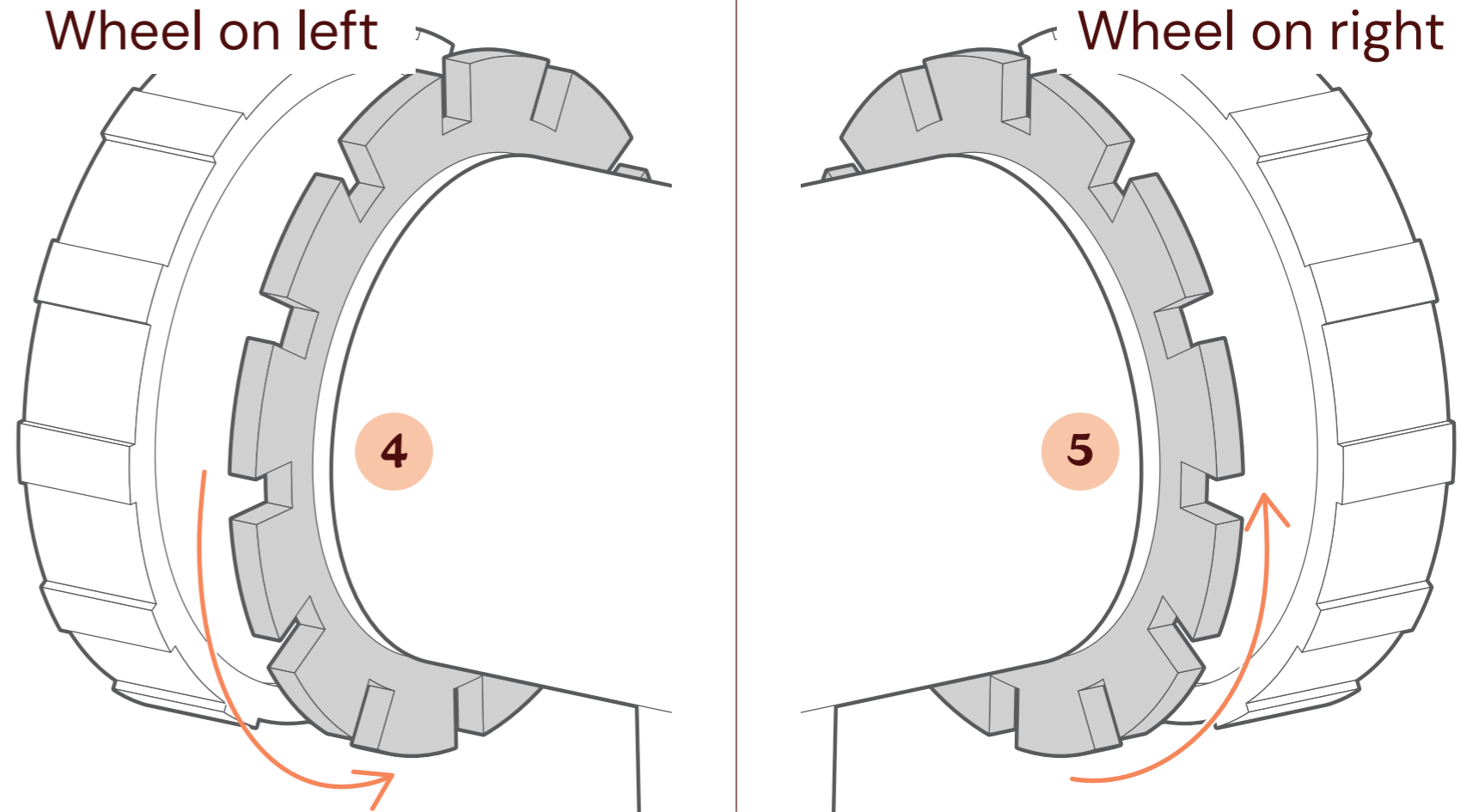


Raise the blind into the recess and press the Twist2Go mechanism against the wall (2).

## Section 2 *Installing the Blind*



Raise the other end of the blind and straighten everything up (3).



Once you're happy with the blind's position, turn the tightening wheel on the Twist2Go mechanism until it's as tight as it will go (4 / 5).

## Section 3 Child Safety

# WARNING



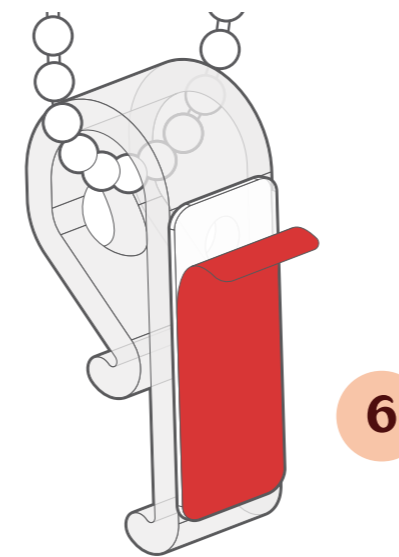
Young children can be strangled by loops in pull cords, chains, tapes and inner cords that operate the product.

To avoid strangulation and entanglement, keep cords out of the reach of young children. Cords may become wrapped around a child's neck.

Move beds, cots and furniture away from window covering cords.

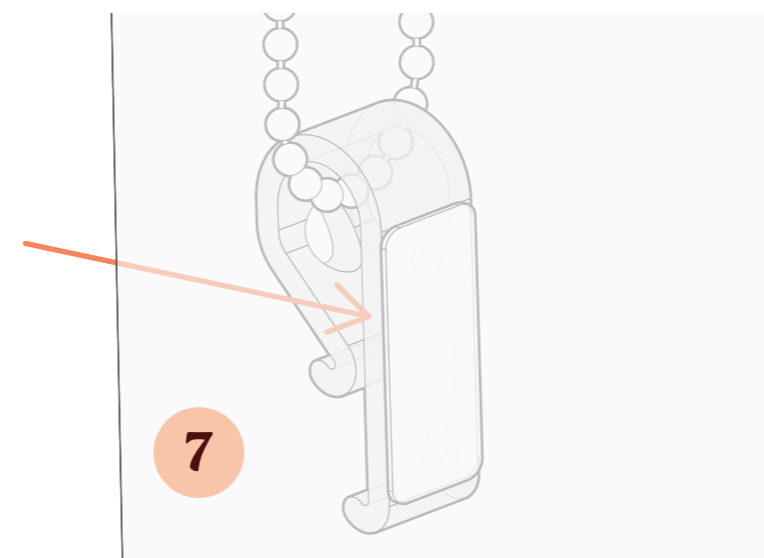
Do not tie cords together. Make sure cords do not twist and create a loop.

*If you upgraded to electric, please skip this page*



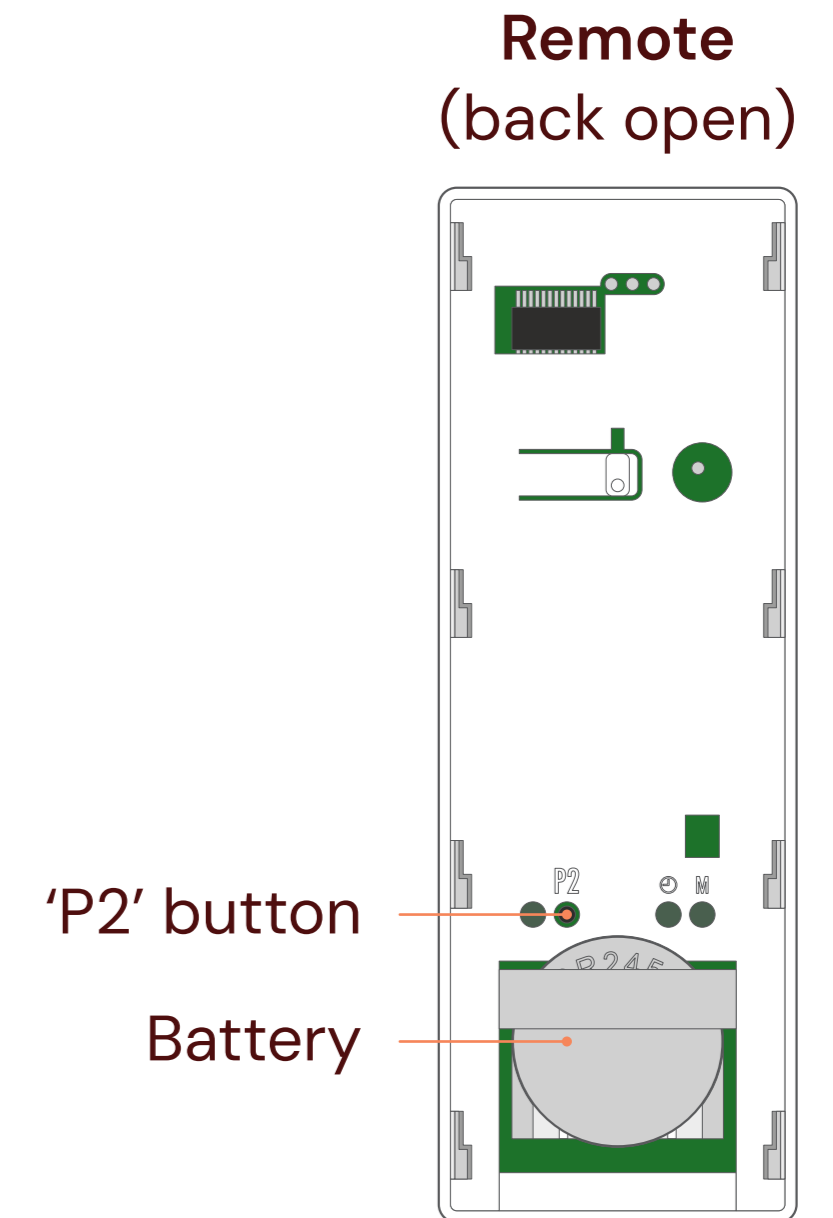
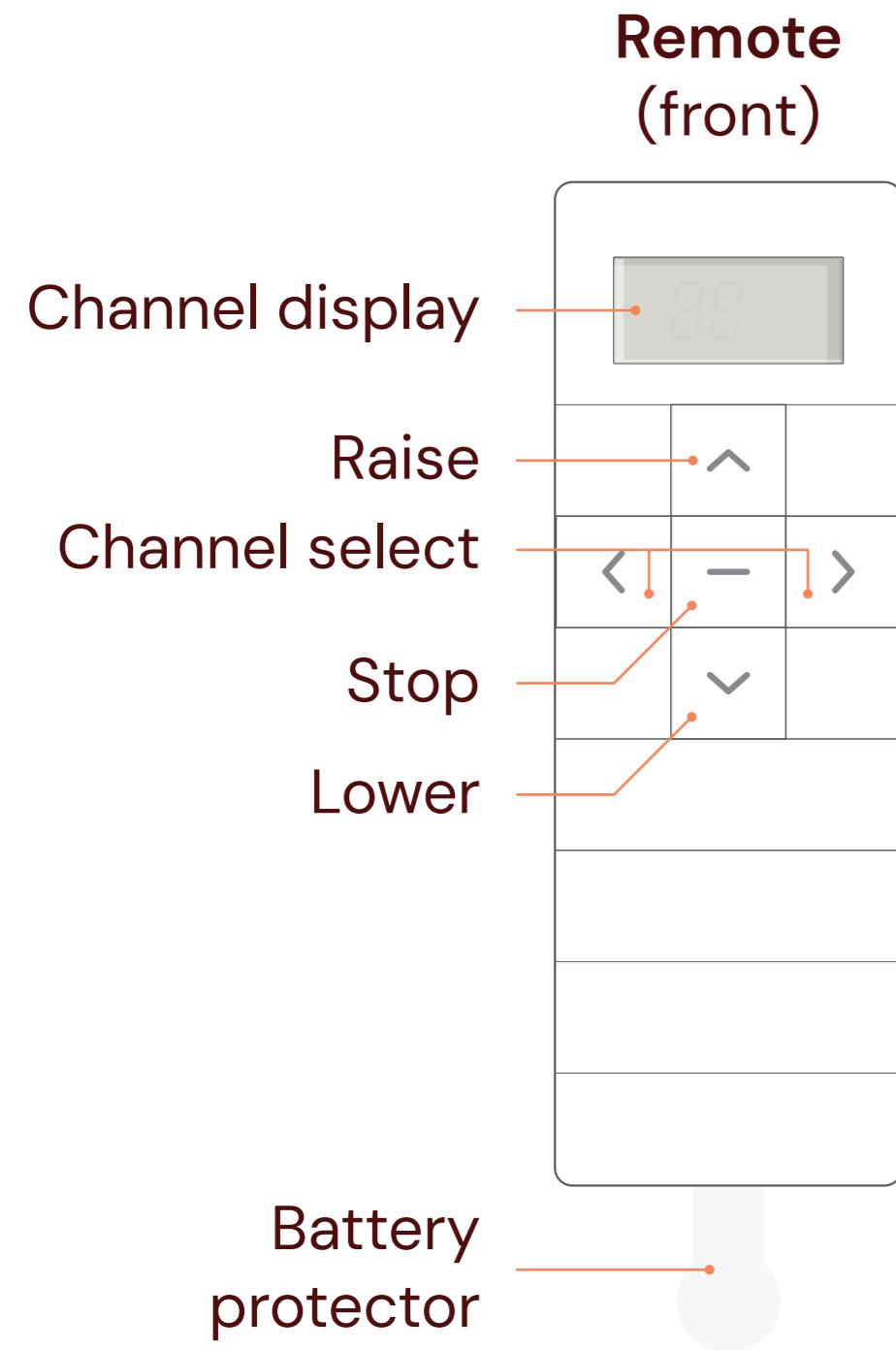
Peel the cover from the adhesive pad on the back of the safety clip (6).

Holding the control chain taut, press the clip against the wall of the recess and hold for a few moments, until it's securely adhered (7).

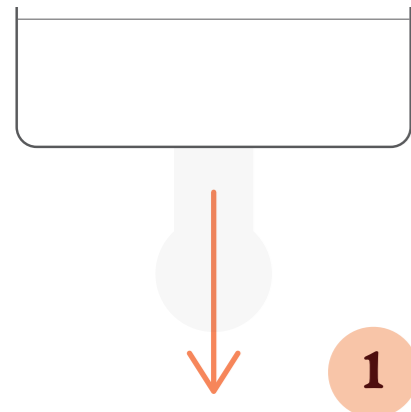


**And that's it! Your beautiful new blind is installed and ready to enjoy...**

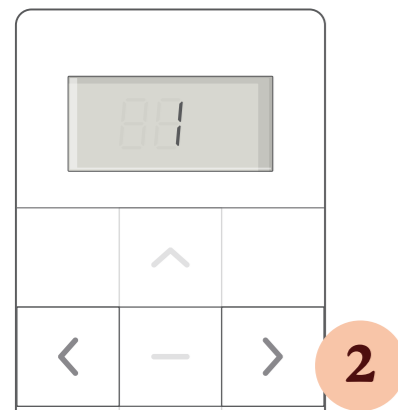
# Section 4 *The Remote Control - Electric Upgrade Only*



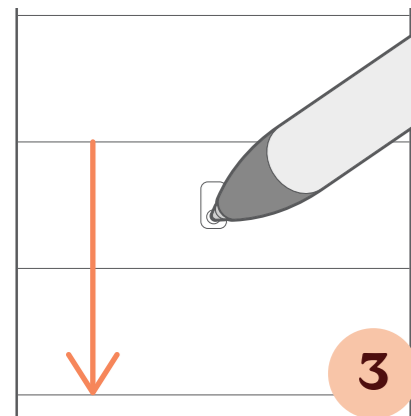
# Section 4 *The Remote Control* - Pairing a Blind to the Remote Control



Pull out the battery protector and dispose of it.

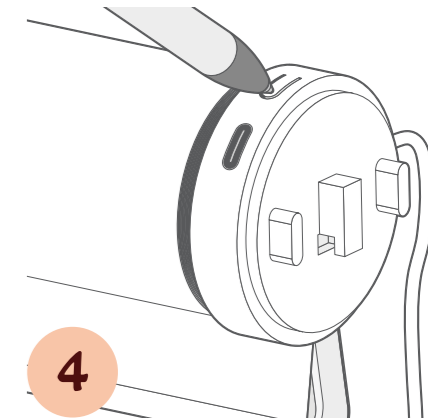


Use the channel select buttons to select the channel to which you'd like to pair the blind.

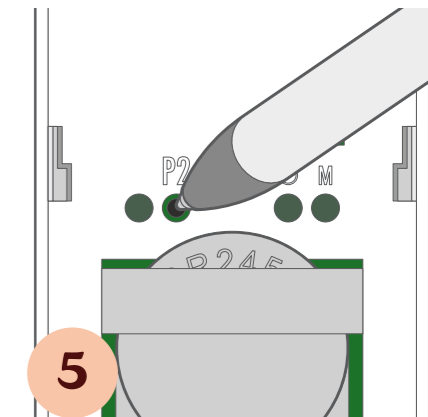


Slide off the back cover of the remote by holding down the cover release with the tip of a pen and sliding the back cover downwards.

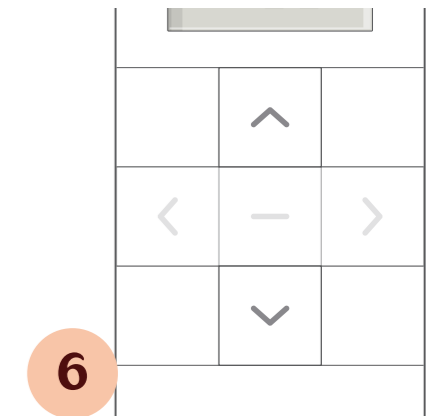
Press and hold the setting button on the blind's motor until the motor beeps. The motor is now in setting mode, but will revert to use mode after a few seconds.



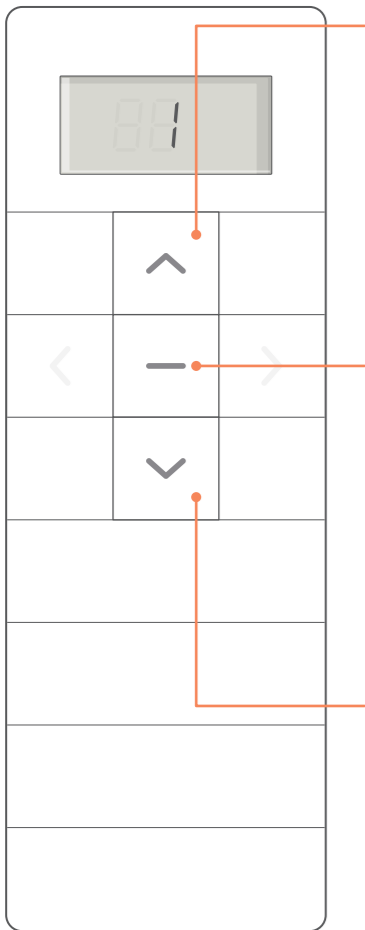
Quickly press the P2 button on the back of the remote once. The blind will beep. Press P2 a second time and a second beep will sound from the motor.



After that second beep, press either the raise or lower button once. the blind will beep a number of times then stop. The motor is now paired to your chosen channel on the remote.



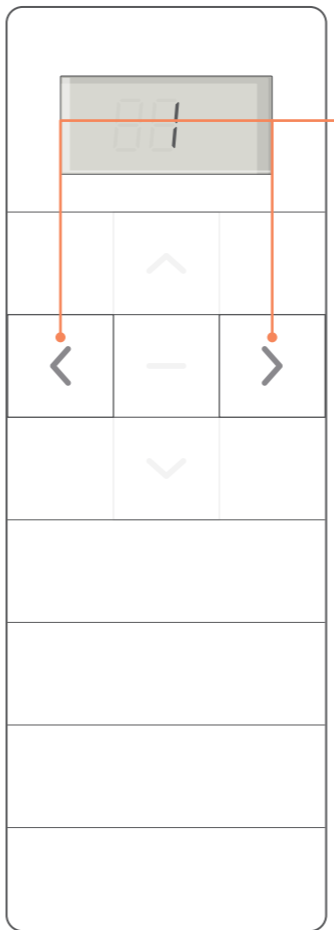
# Section 4 *The Remote Control* - Using the Remote Control



Pressing the raise button once will make the blind move continuously upwards.

Once in motion, the blind will continue to roll until the stop button is pressed. Press the stop button once when the blind is at the desired height.

Pressing the lower button once will make the blind move continuously downwards.



Use the channel select buttons to toggle between channels.

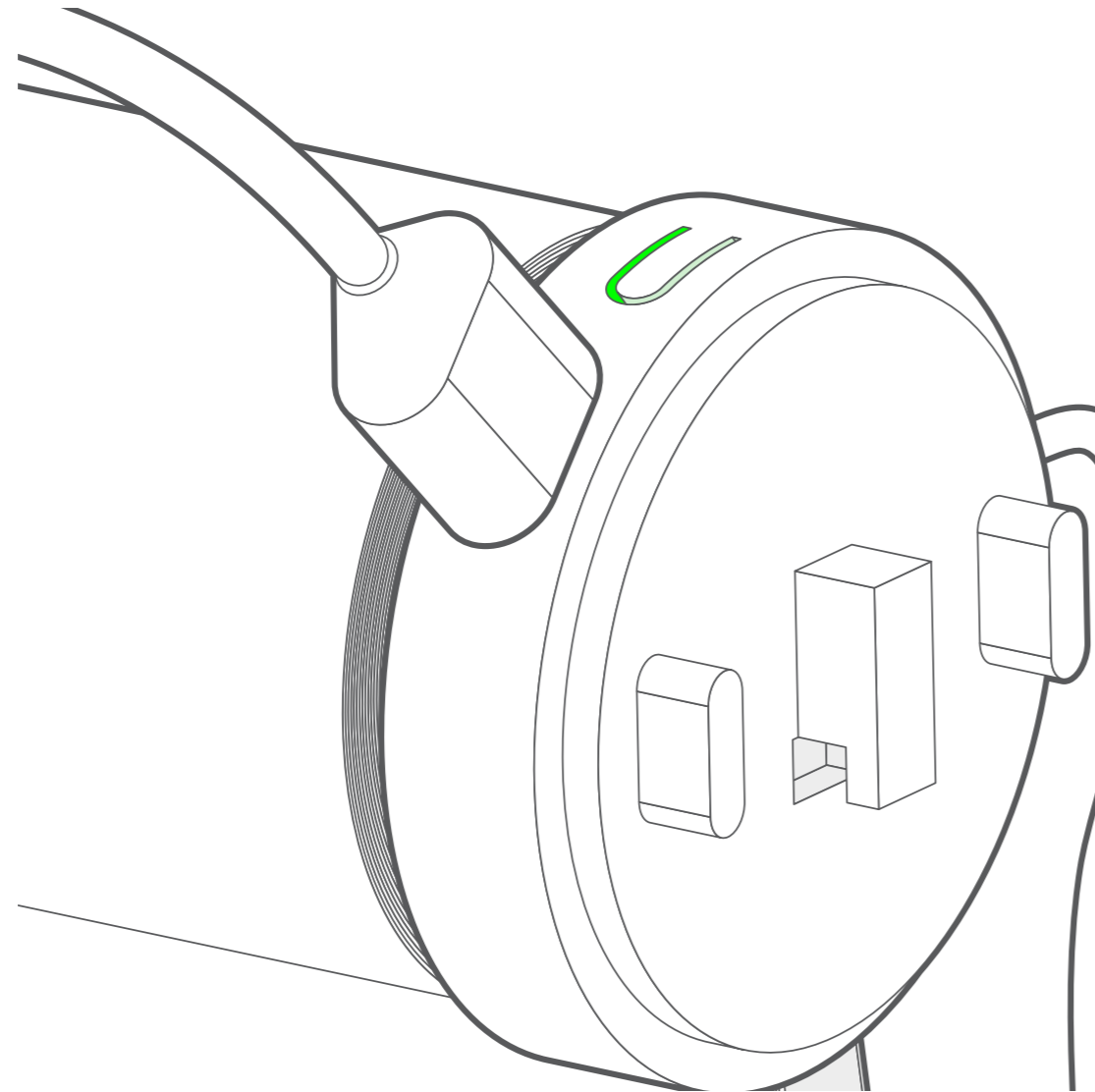
Each channel can be paired to a separate blind.



The remote has 15 channels, so 15 blinds can be paired to the same remote.



Channel 0 will operate all blinds paired to that remote simultaneously.



We recommend charging your blind fully before its first use.

Plug in the USB-C charger provided and leave to charge for around 2 hours, or until the green indicator light on the motor stops flashing.

Recycle your electrical and electronic devices free at your local recycling centre. To find your nearest centre, visit the [Recycle More](#) website and type in your postcode.



Blinds2Go Ltd is part of the DTS scheme.