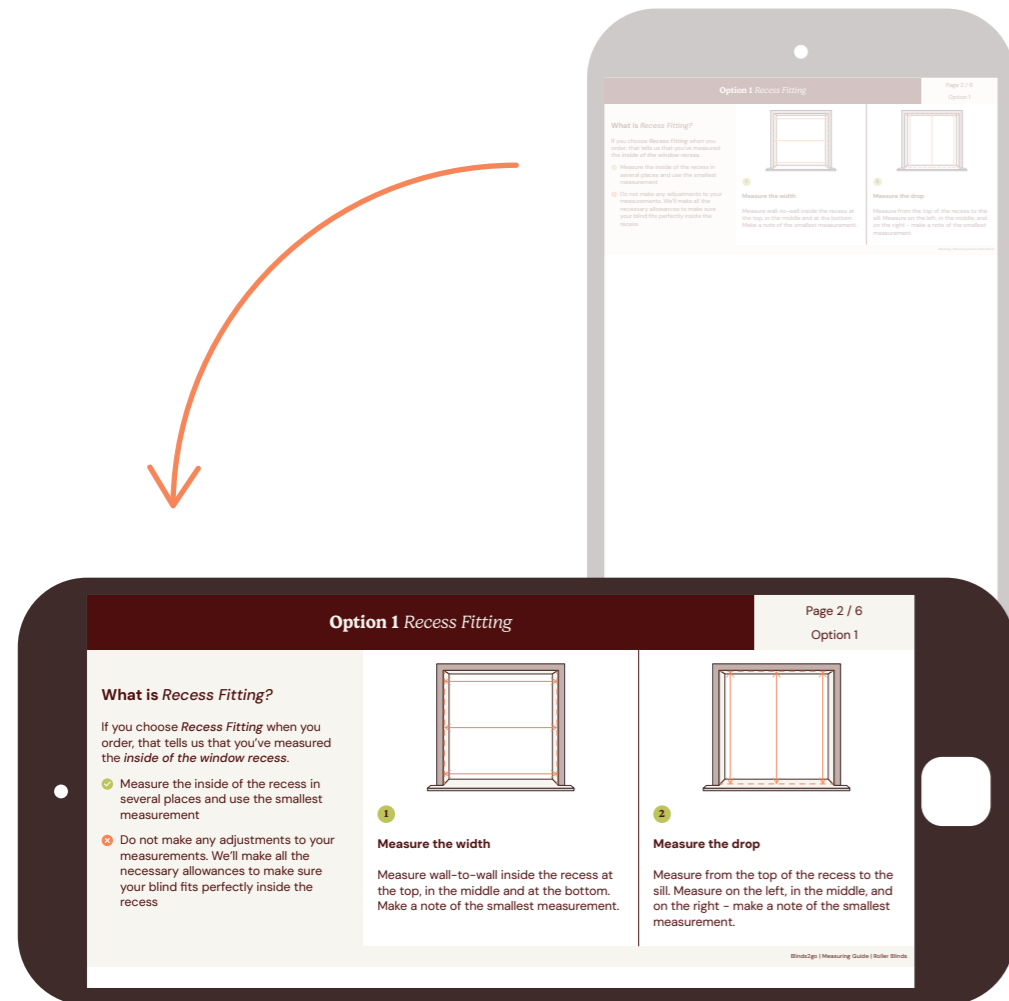


### Turn your *phone or tablet*

Our guides are best viewed in landscape if you're viewing on your phone or tablet.



### Designed for *DIY*

Our Twist2Go Roller Blinds are designed to be installed by you, without specialist fitters, even if you don't have much DIY experience.

**Please read each page of this guide carefully during installation, following along one step at a time.**

### Check out our *video guide*



**Click or tap the thumbnail above to watch our handy video overview.** This video covers the basics, but for more detailed instructions just keep reading...

## Did you upgrade?

There are a number of different finishes and options available for our Roller Blinds, so take a moment to ensure you're reading the right instructions for your blind. Just click or tap on the guide that matches your choice.

*This guide is for roller blinds upgraded to no-drill fitting, and for those with both the no-drill and SmartView electric upgrade. If that matches what you've ordered then you can skip this page.*

No Upgrades



Decorative Cassette Upgrade



# Section 1 *Parts & Tools* - Standard Fittings

## Tools required for this install:

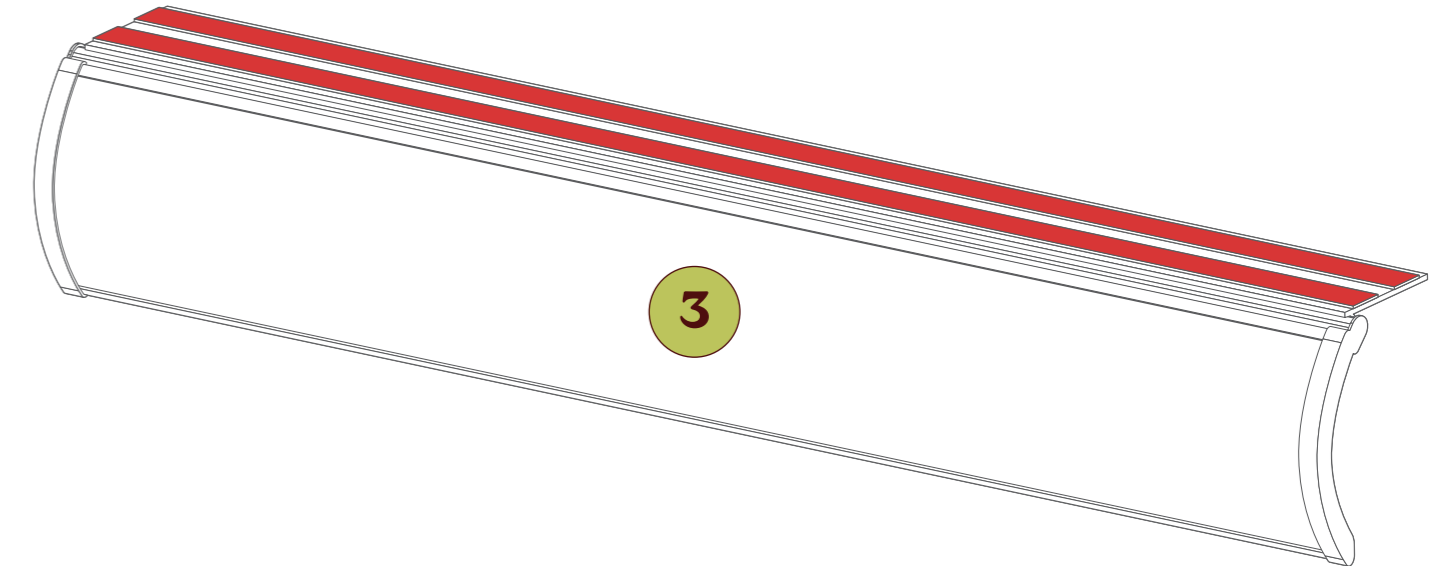
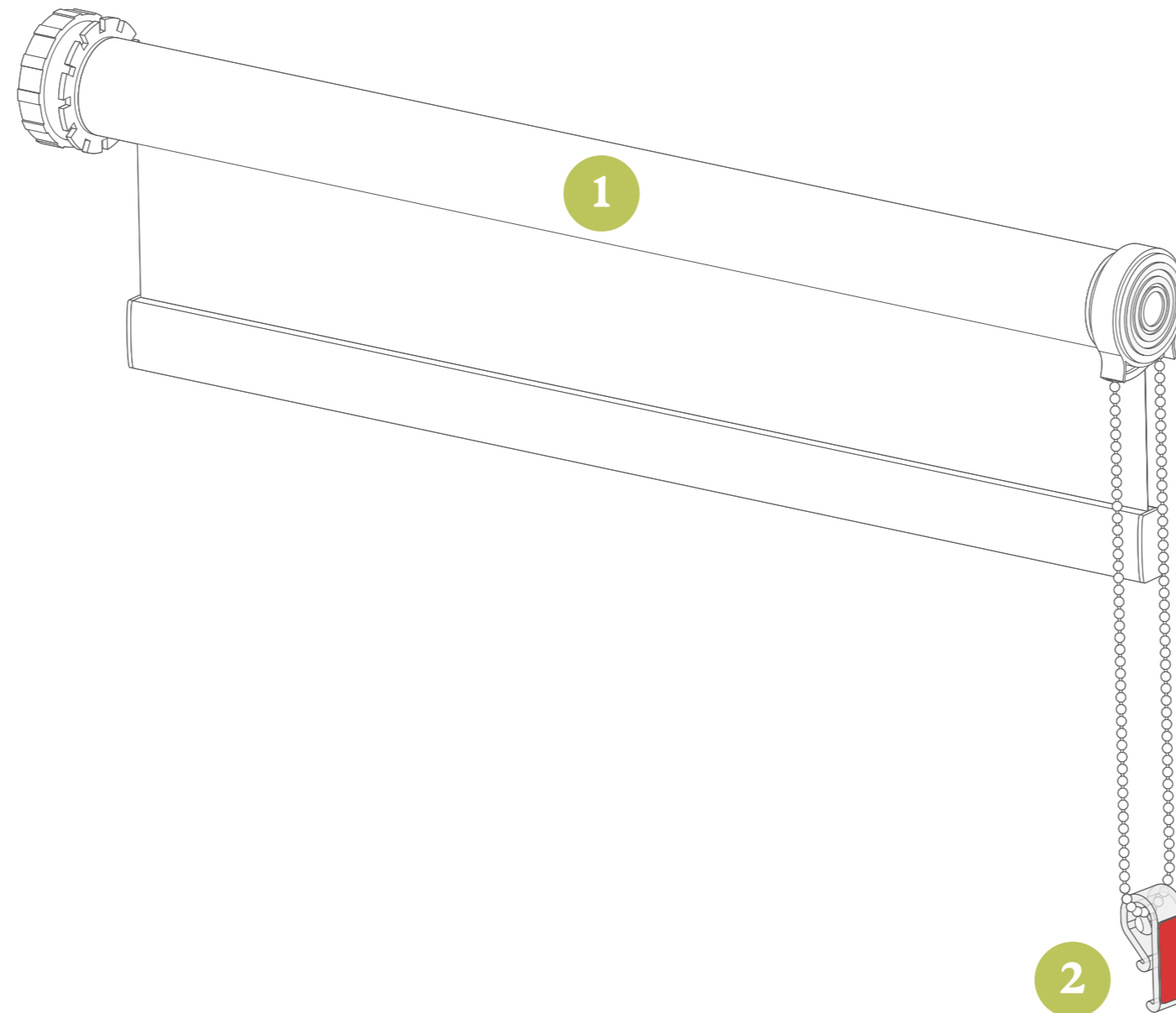
- ✓ Handheld drill
- ✓ 4mm masonry drill bit
- ✓ Phillips screwdriver / driver bit
- ✓ Mallet / hammer
- ✓ Pen / pencil

## Parts included in your order:

- 1 Twist2Go Roller Blind
- 2 Child Safety Clip

Pelmet upgrade only

- 3 Decorative pelmet

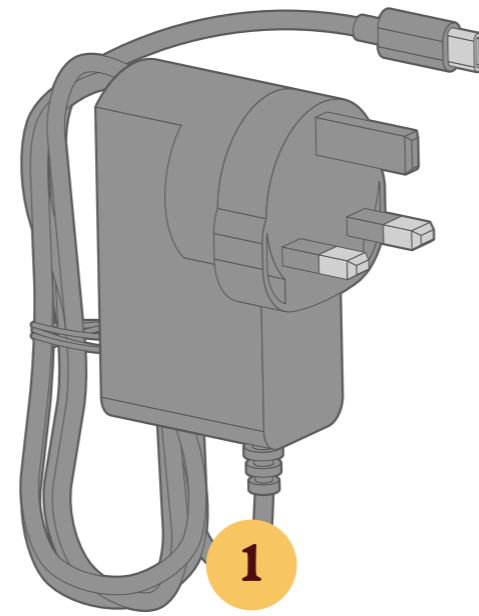


# Section 1 *Parts & Tools* - SmartView Electric Upgrade

## Parts included *in your order*:

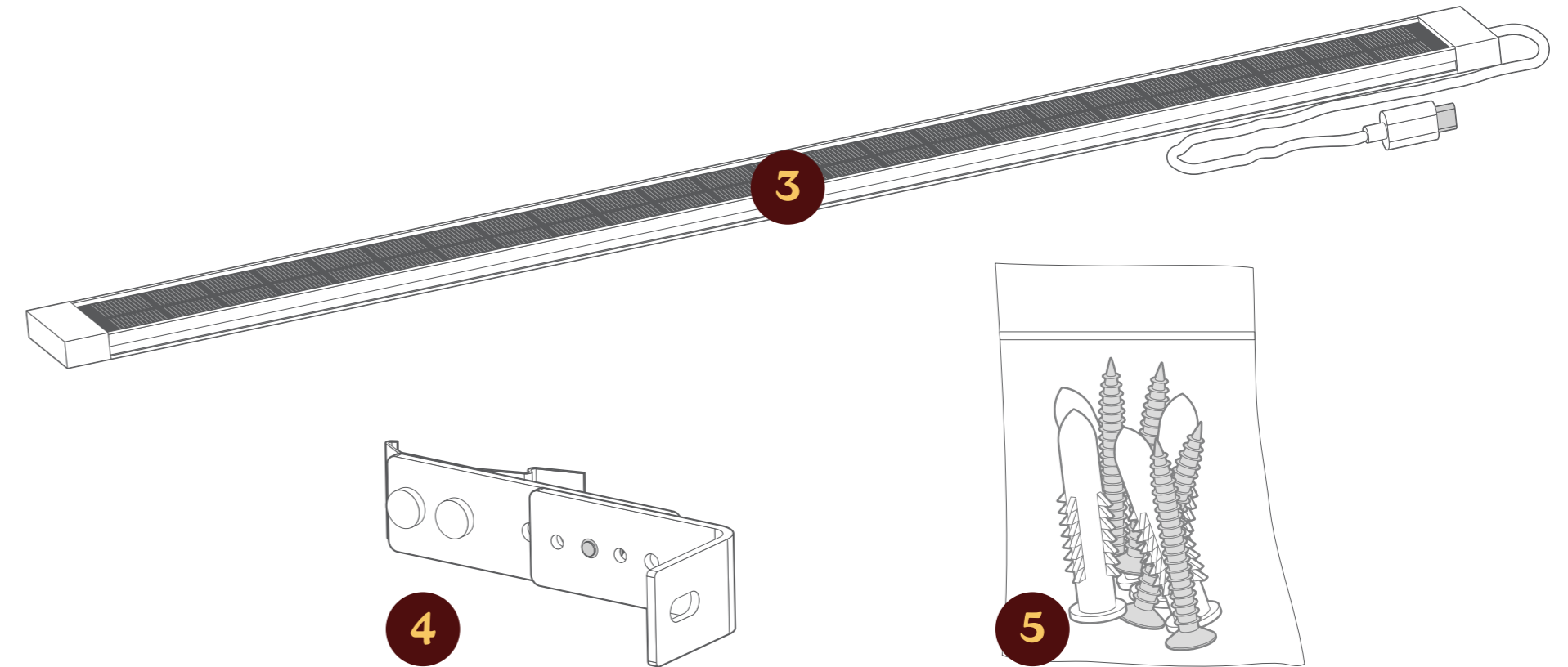
### Electric upgrade only

- 1 USB-C Plug-In Charger
- 2 SmartView ID Tag



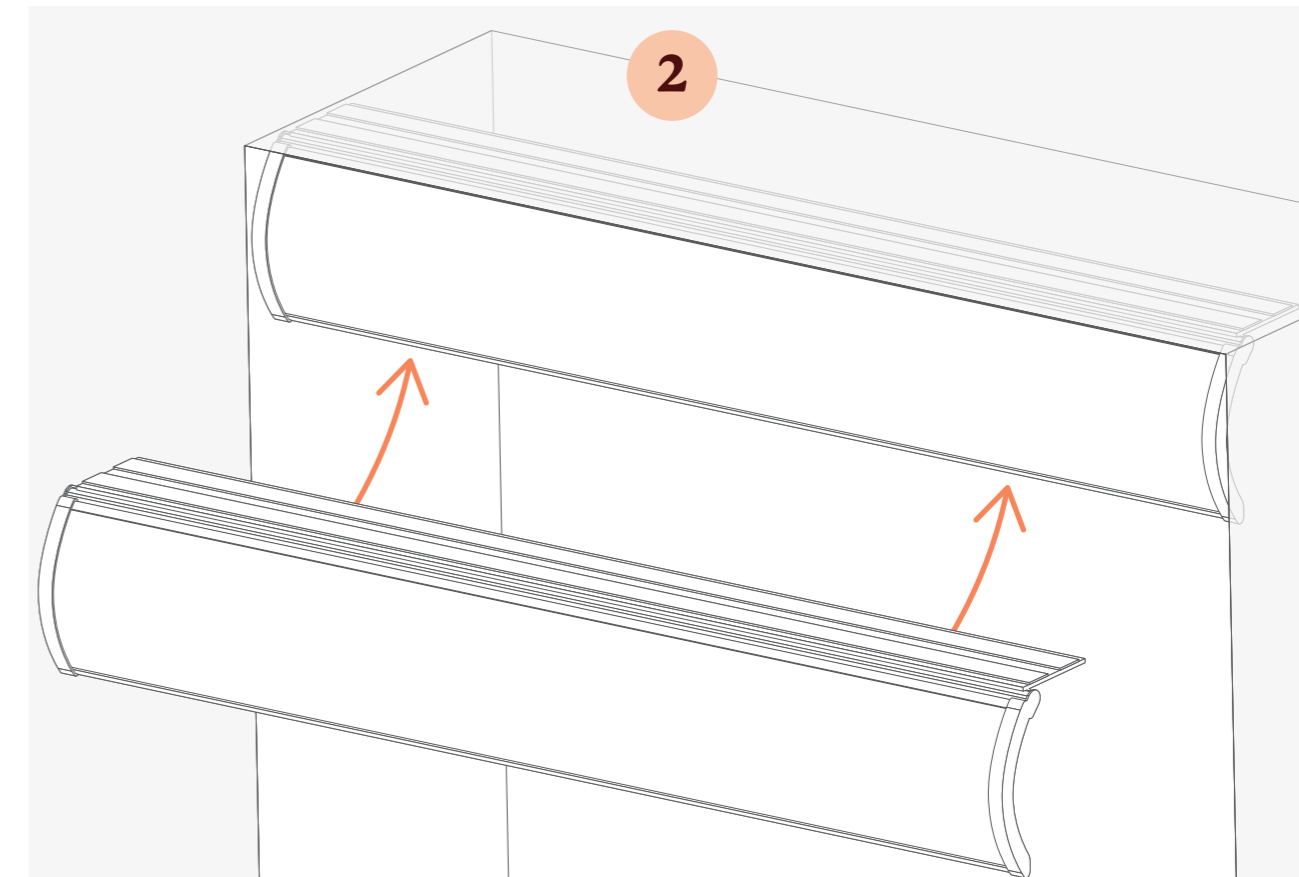
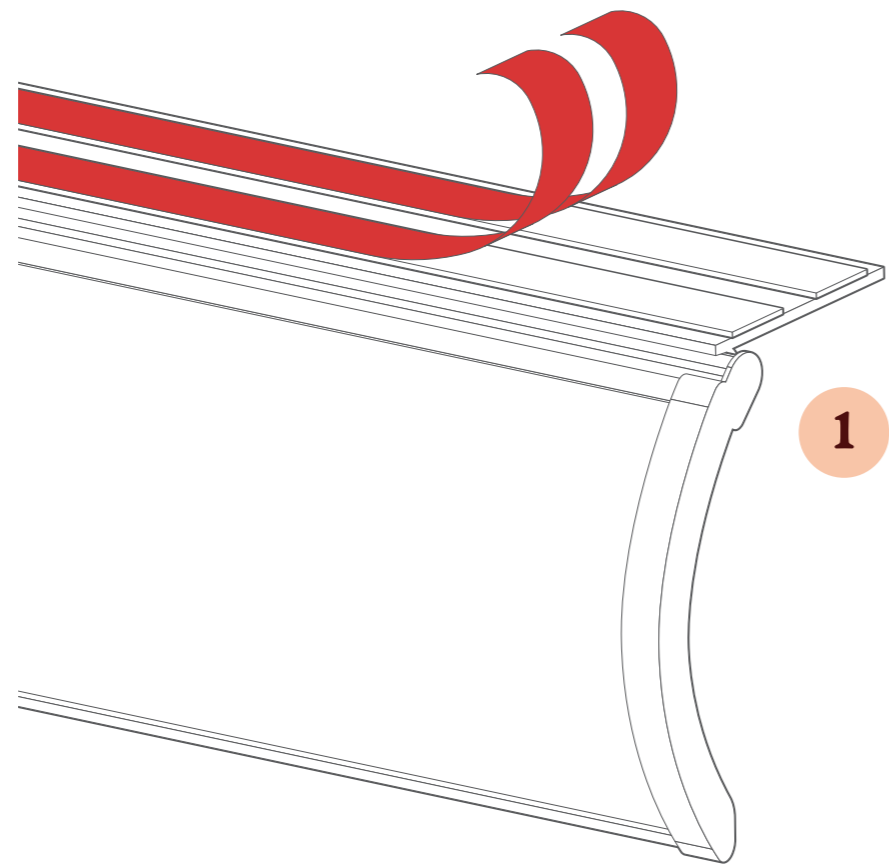
### Solar Charging upgrade only

- 3 USB-C Solar Charger
- 4 Solar Charger Brackets
- 5 Screws & Wall Plugs

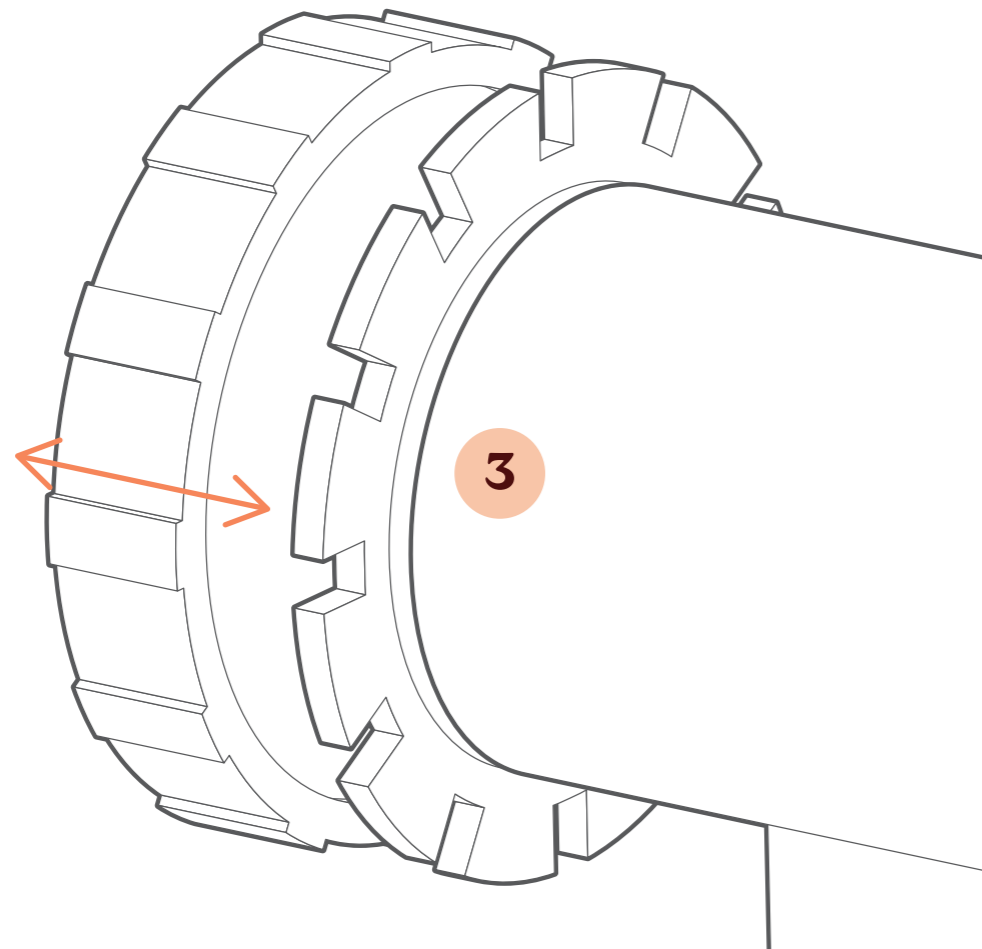


## Section 2 *Installing the Decorative pelmet - Upgrade Only*

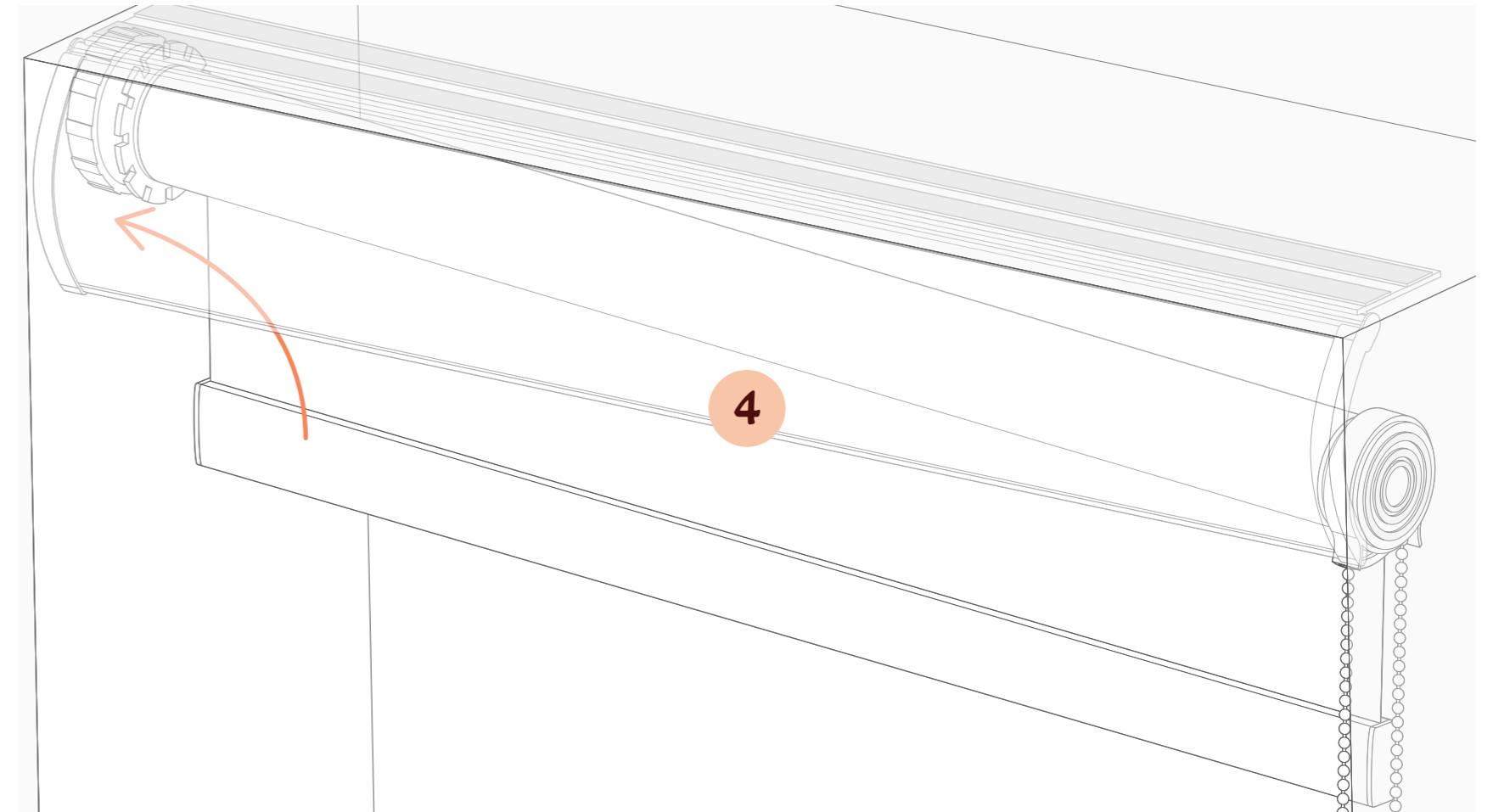
*If you did not order a decorative pelmet, please skip this page*



Peel the covers from the adhesive strips along the top of the decorative pelmet (1). Raise the pelmet into the recess. Making sure that the front of the pelmet is in line with the front edge of the recess, and the pelmet is nice and straight, press it firmly against the top of the recess and hold for a few seconds until it's secure (2).

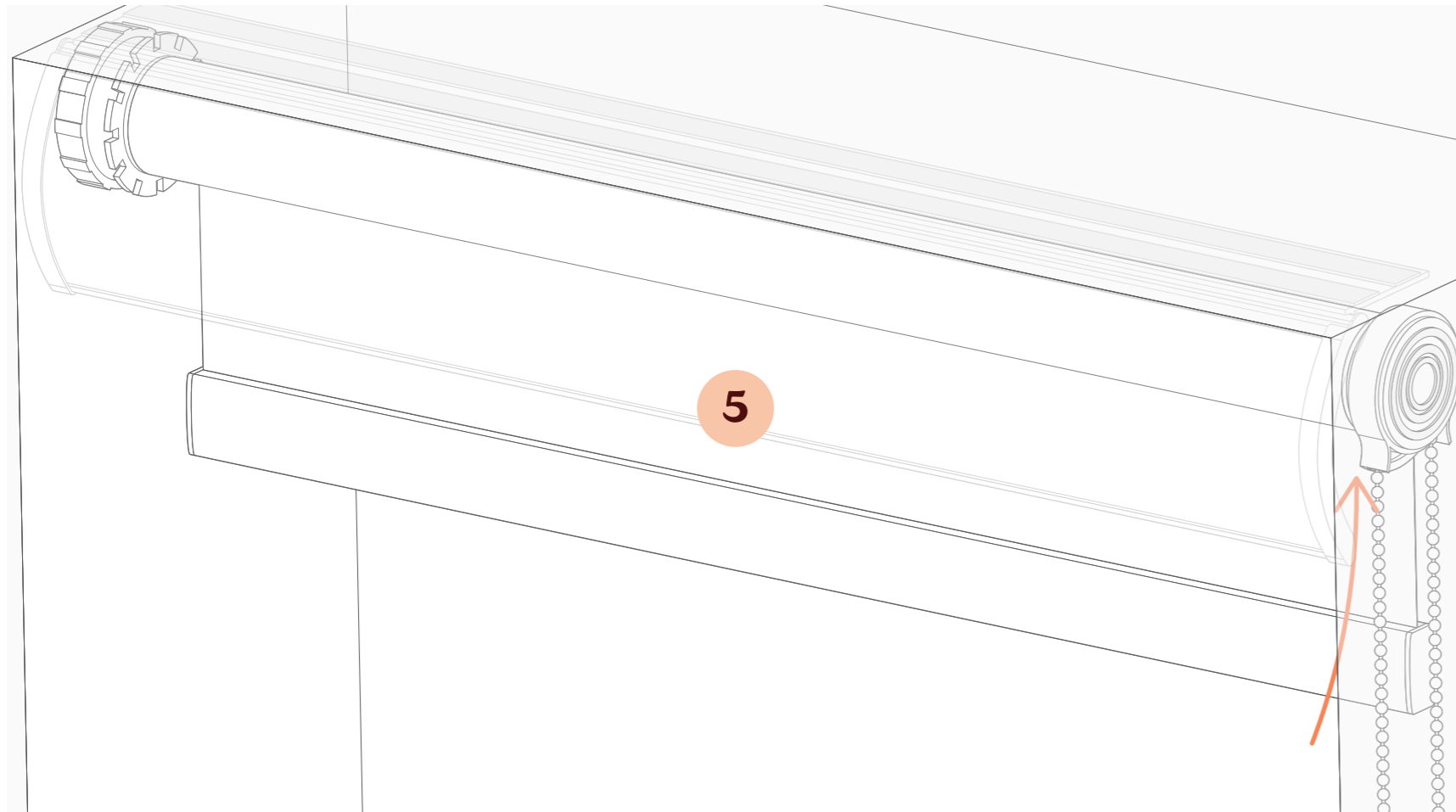


The Twist2Go mechanism is always located on the end of the blind opposite to the controls. It's spring-loaded, so can push in to allow you to squeeze the blind into the recess (3).

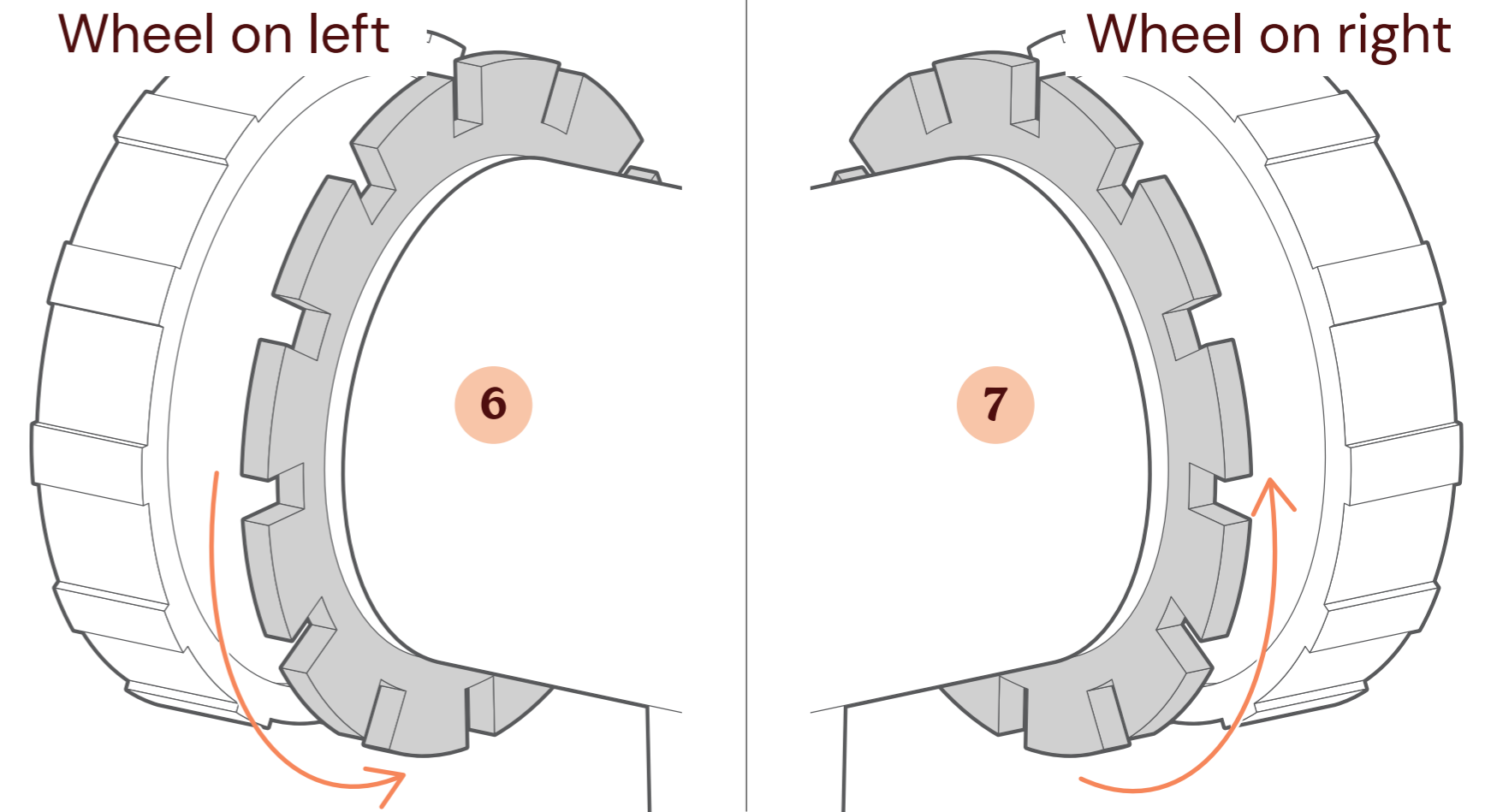


Raise the blind into the recess, behind the front of the decorative pelmet if you installed one, and press the Twist2Go mechanism against the wall (4).

## Section 3 *Installing the Blind*



Raise the other end of the blind and straighten everything up so the blind's components are sat flush against the underside of the decorative pelmet (5).



Once you're happy with the blind's position, turn the tightening wheel on the Twist2Go mechanism until it's as tight as it will go (6 / 7).

# WARNING



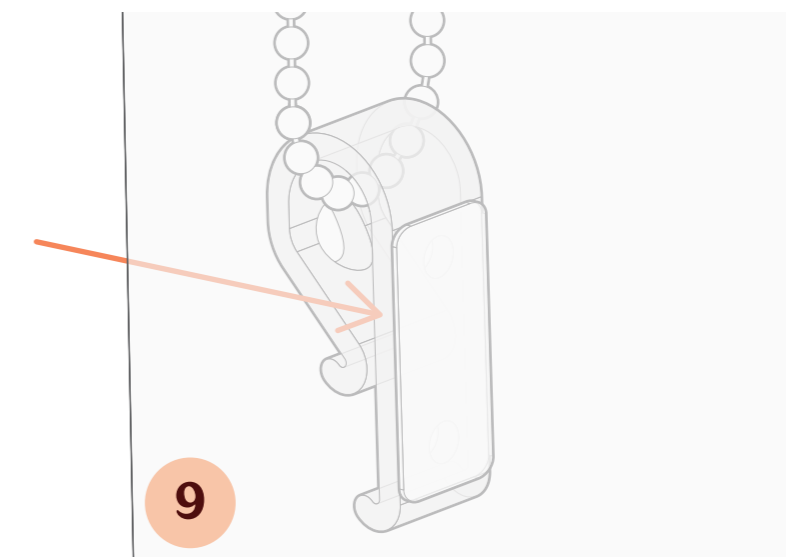
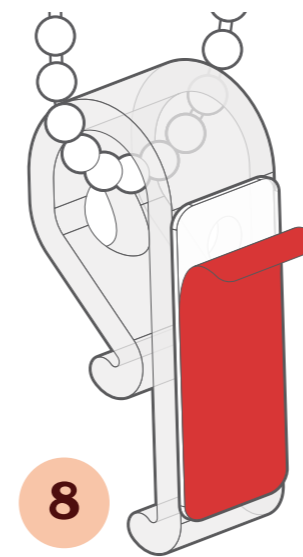
Young children can be strangled by loops in pull cords, chains, tapes and inner cords that operate the product.

To avoid strangulation and entanglement, keep cords out of the reach of young children. Cords may become wrapped around a child's neck.

Move beds, cots and furniture away from window covering cords.

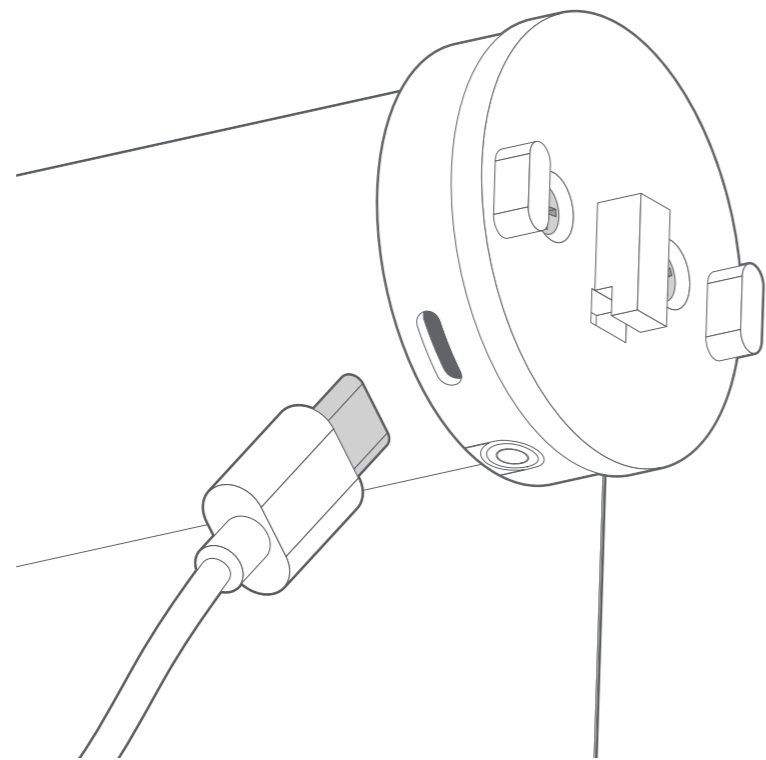
Do not tie cords together. Make sure cords do not twist and create a loop.

*If you upgraded to electric, please skip this page*

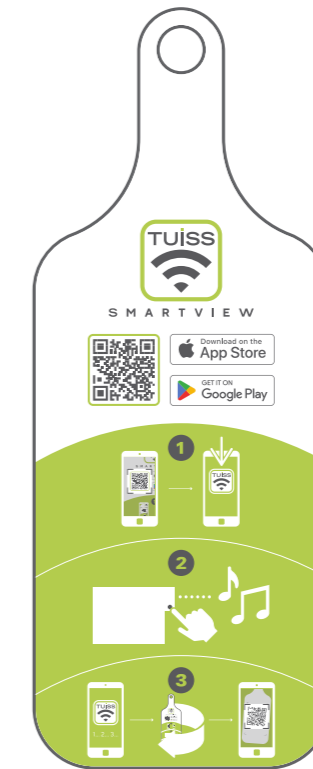


Peel the cover from the adhesive pad on the back of the safety clip (8). Holding the control chain taut, press the clip against the wall of the recess and hold for a few moments, until it's securely adhered (9).

**And that's it! Your new blind is installed and ready to enjoy.**



Once your blinds are installed we recommend plugging in the motor for each, to allow it to fully charge before use. Plug the charging cable (included) into the motor charging port and allow to charge until the LED on the charger plug turns green. Do not over-charge, as this can damage the battery.



On the front of the swing tag that comes with each blind, you'll find a handy QR code you can scan with your phone. Scan this to download the SmartView app – you'll be setting up your blinds in moments!

**If you chose our solar charging upgrade, please continue to the next page of this guide.**

## Section 6 *Installing a Solar Charger - Upgrade only*

### Tools required *for this section:*

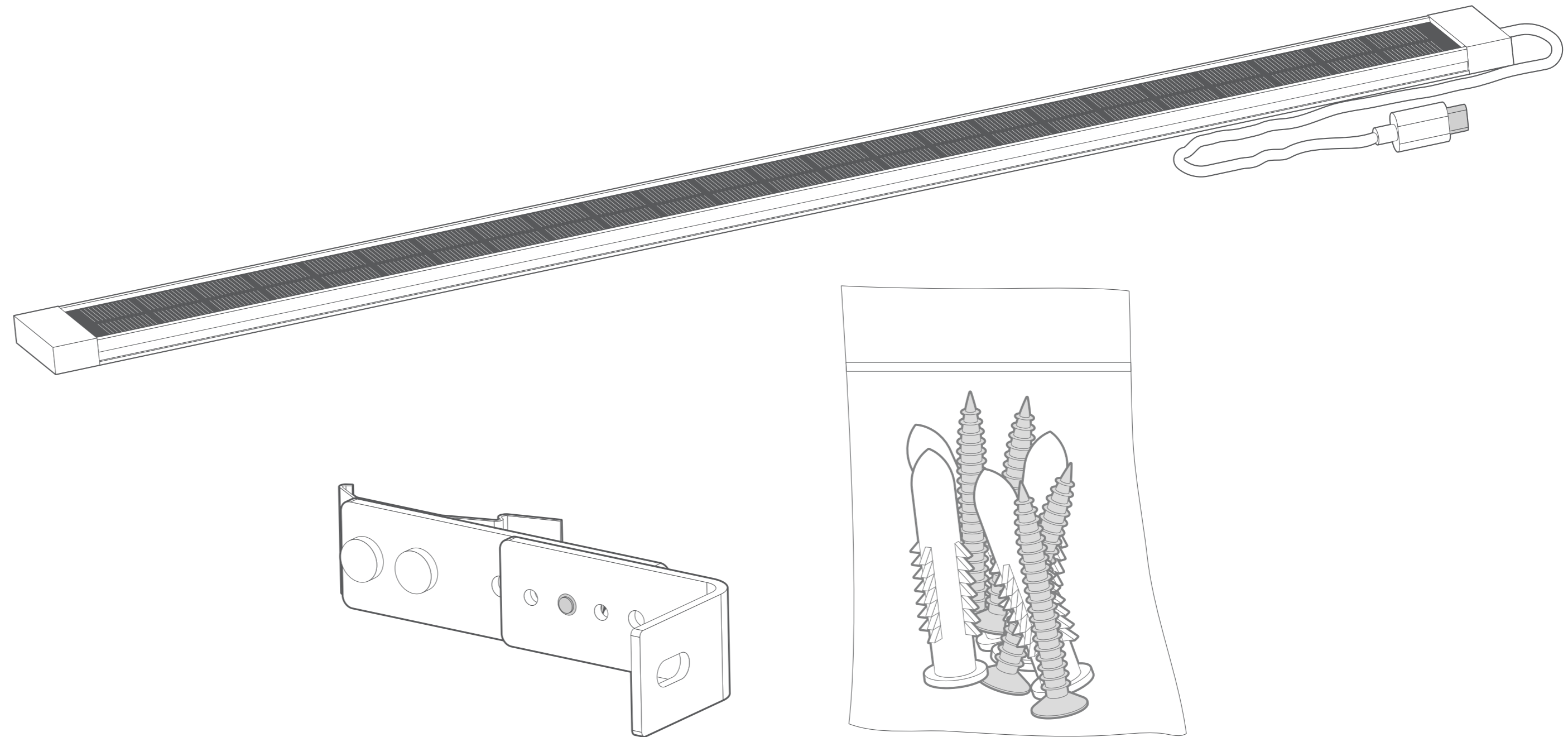
- ✓ Handheld drill
- ✓ 4mm masonry drill bit
- ✓ Phillips screwdriver / driver bit
- ✓ Mallet / hammer
- ✓ Pen / pencil

### Parts required *for this section:*

**Solar Charger Brackets**

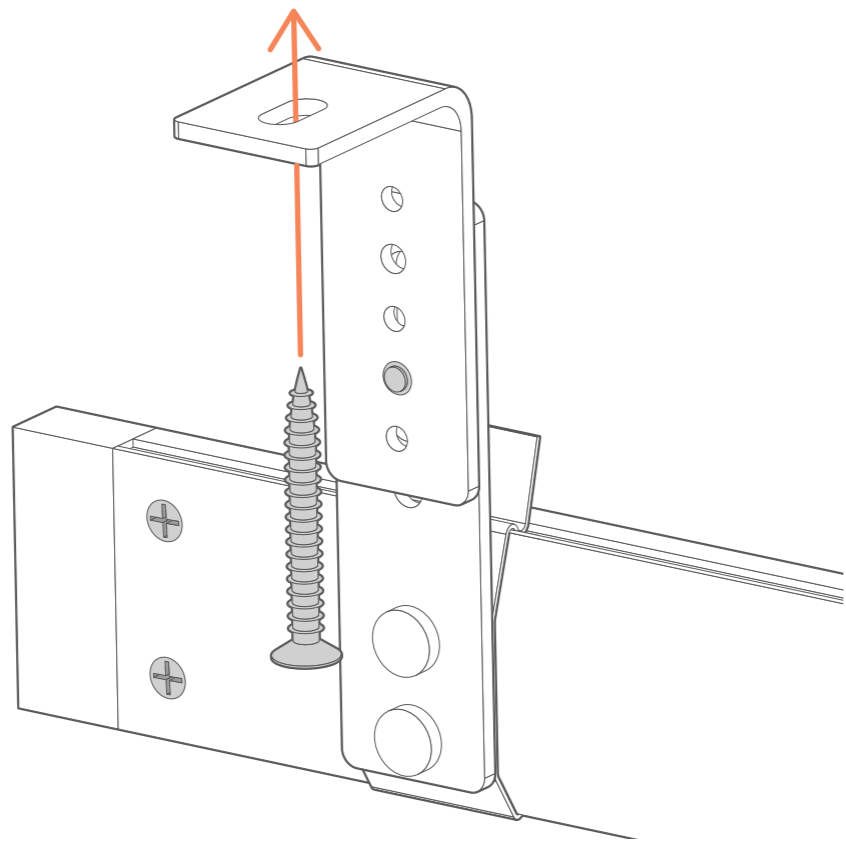
**USB-C Solar Charger**

**Screws & wall plugs**



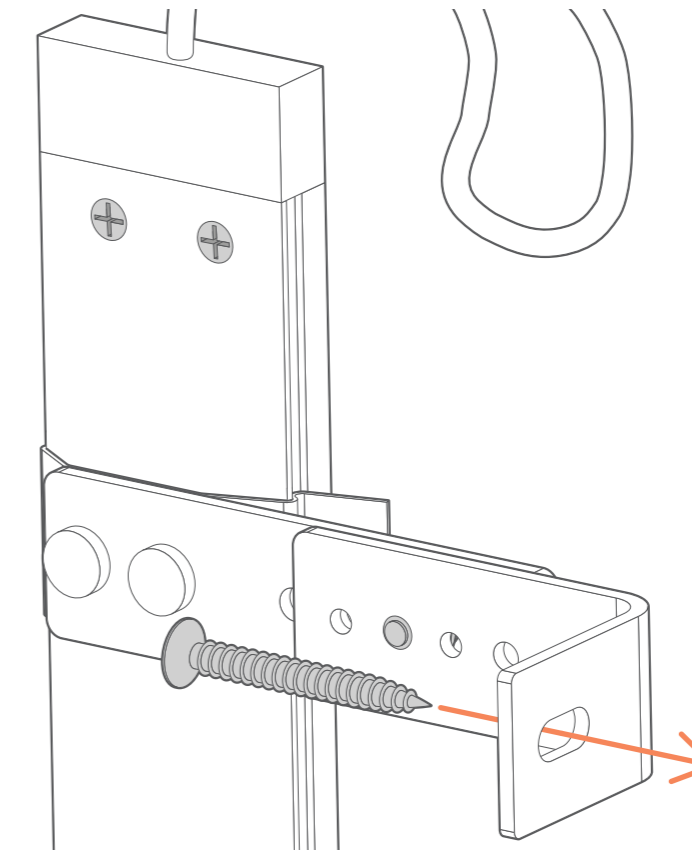
## Section 6 *Installing a Solar Charger*

First, choose the method you'll be using to install your brackets:



### **Top-fixing**

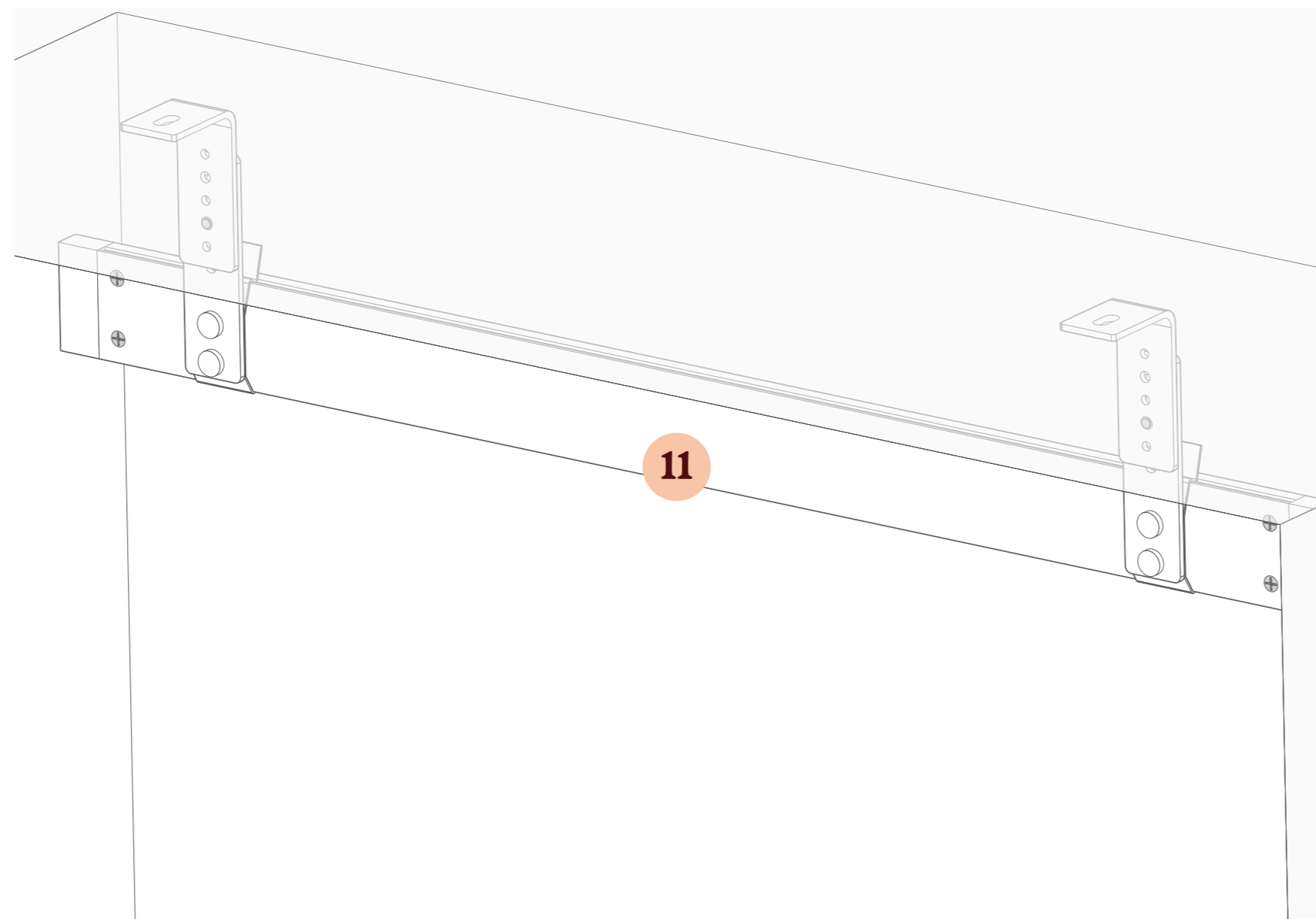
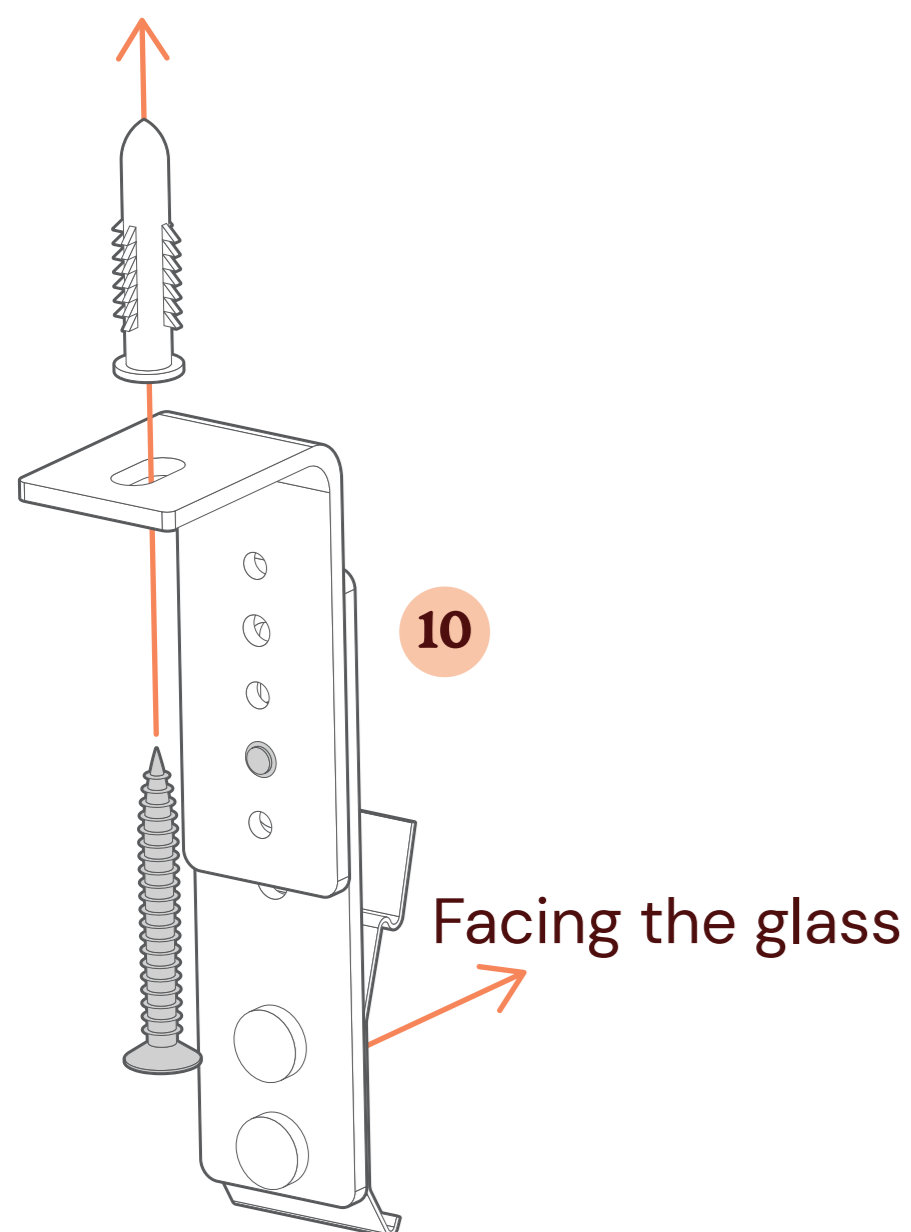
Screw the charger's mounting brackets directly into the top of the recess. The charger will rest horizontally across the top of the window.



### **Side-fixing**

Screw the mounting brackets into the side wall of the recess, so that the charger rests vertically at the side of the blind. Make sure that the brackets are installed on the side closest to the blind's motor in this case.

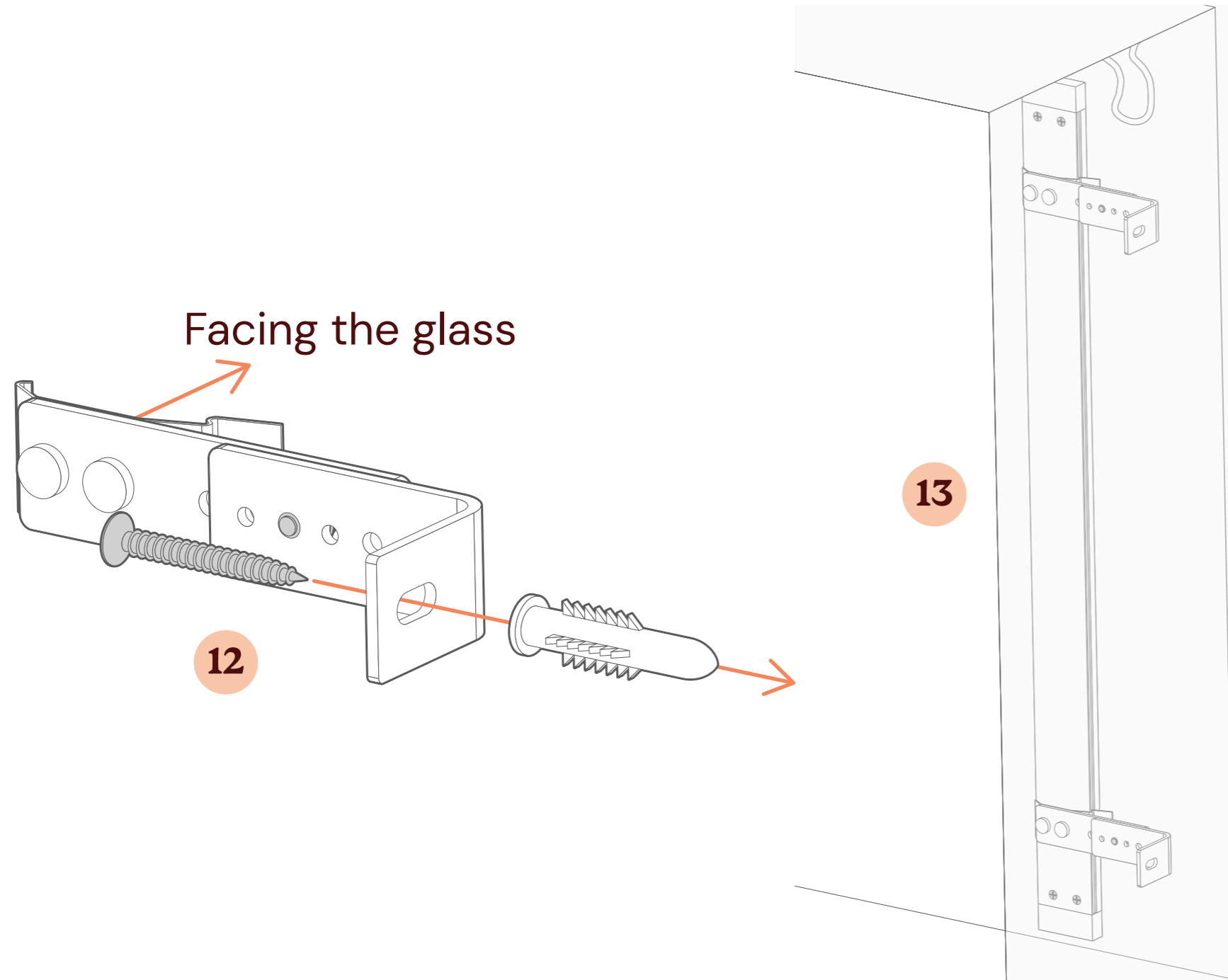
## Section 6 *Installing a Solar Charger - Top-Fixing the Brackets*



Hold the brackets up to the top of the recess and mark the screw hole in each with a pen or pencil. Use the fixings provided to secure the brackets in place. Make sure that the 'open' face of the brackets is facing the window (10).

The solar panel will clip into the open face of the brackets. The black panel on the charger should be facing the glass (11).

## Section 6 *Installing a Solar Charger* - **Face-Fixing the Brackets**

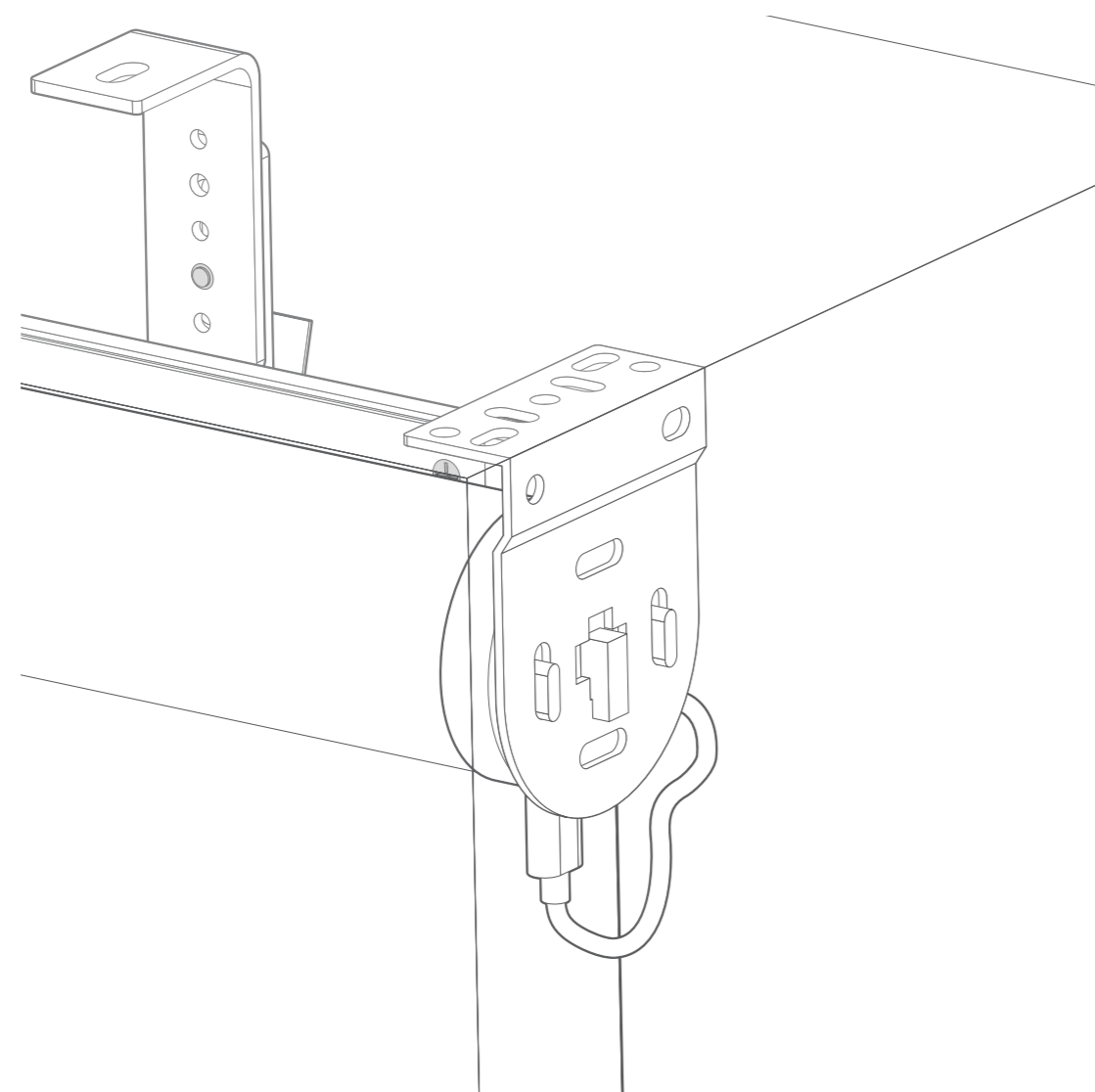


Hold the brackets up to the side of the recess and mark the screw hole in each with a pen or pencil. Use the fixings provided to secure the brackets in place. Make sure that the 'open' face of the brackets is facing the window (12).

Make sure that you fit the brackets on the same side of the window as the blind's motor, as the solar charger cable may not reach otherwise.

The solar panel will clip into the open face of the brackets. The black panel on the charger should be facing the glass (13).

## Section 6 *Installing a Solar Charger - Charging*



Once the solar charger is installed, it can be plugged into the motor's charging slot and left there permanently, as it will then provide a constant trickle of energy to the motor's battery and keep the charge topped up.

Recycle your electrical and electronic devices free at your local recycling centre. To find your nearest centre, visit the [Recycle More](#) website and type in your postcode.



Blinds2Go Ltd is part of the DTS scheme.