

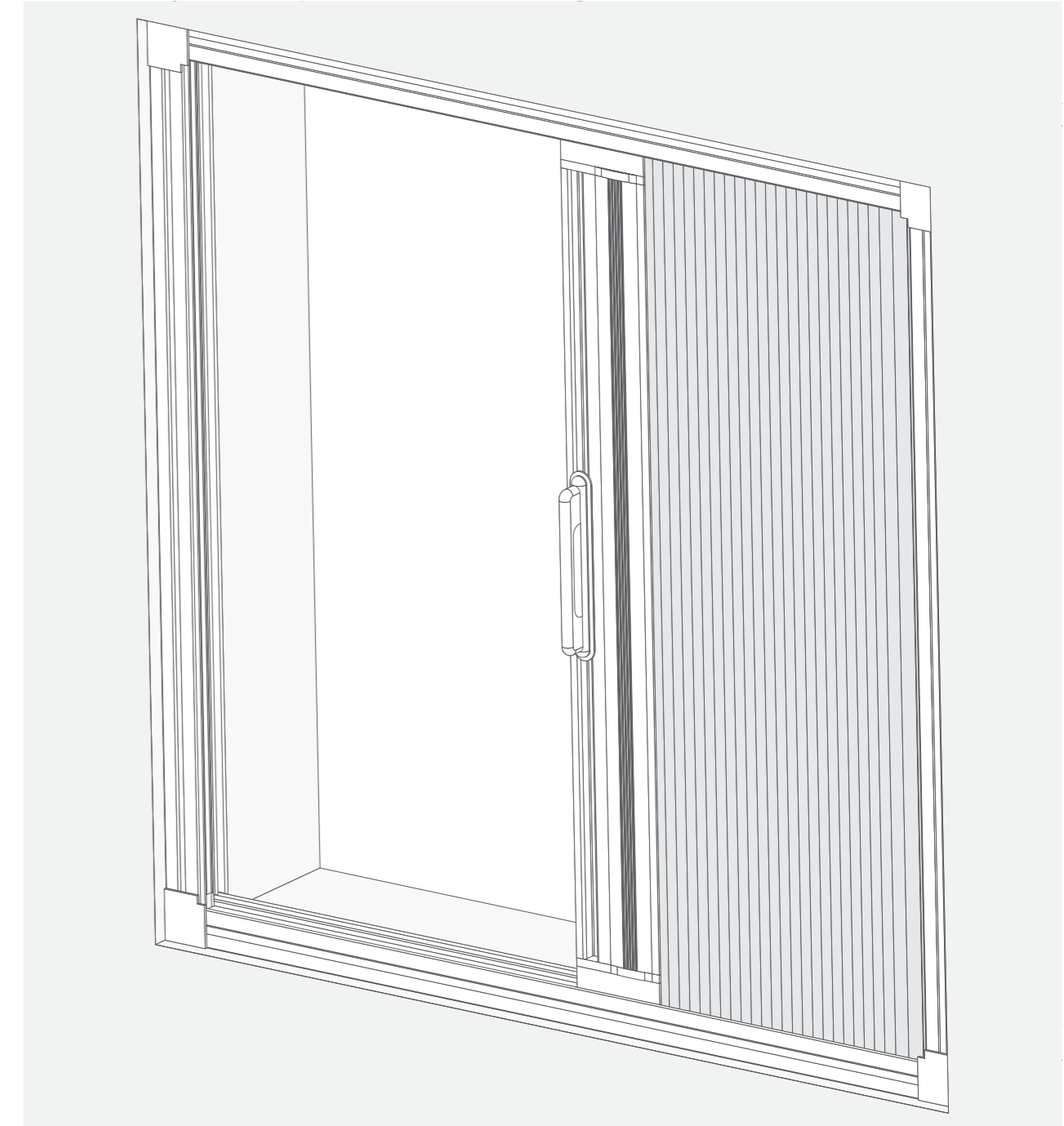
Turn your phone or tablet

Our guides are best viewed in landscape if you're viewing on your phone or tablet.

Designed for *DIY*

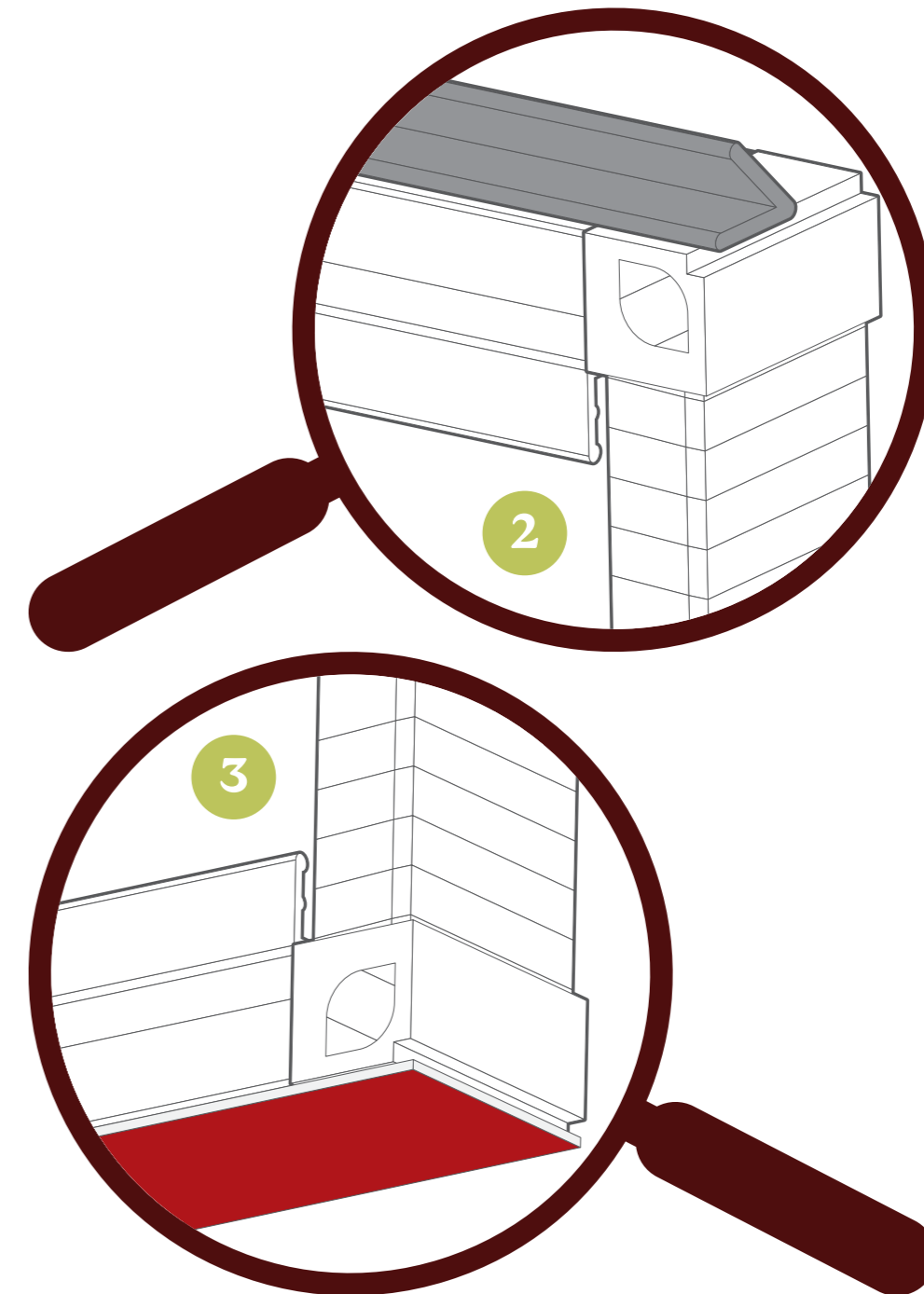
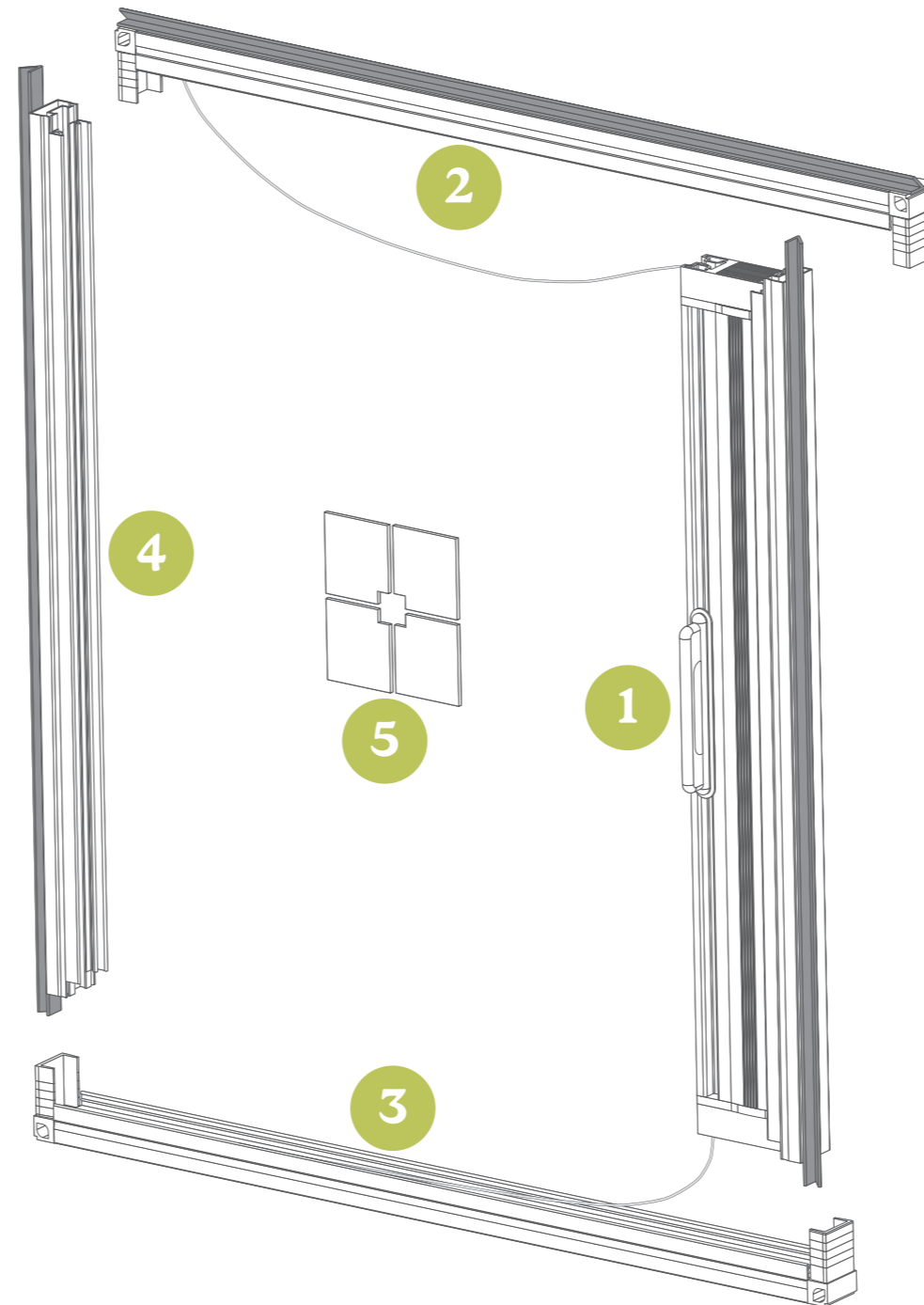
Our GlideShade Pleated Blinds are designed to be installed by you, without specialist fitters, even if you don't have much DIY experience.

Please read each page of this guide carefully during installation, following along one step at a time.

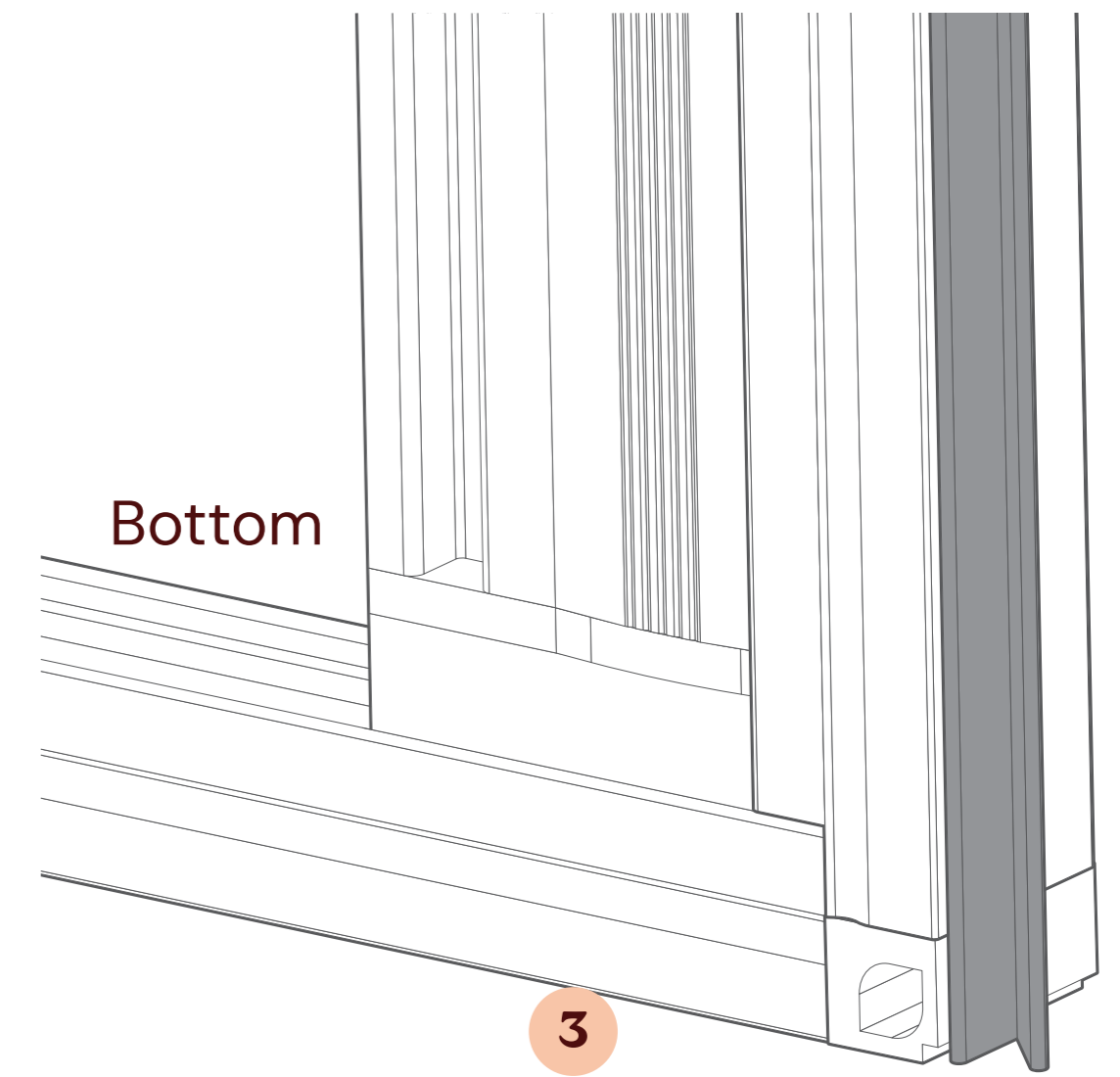
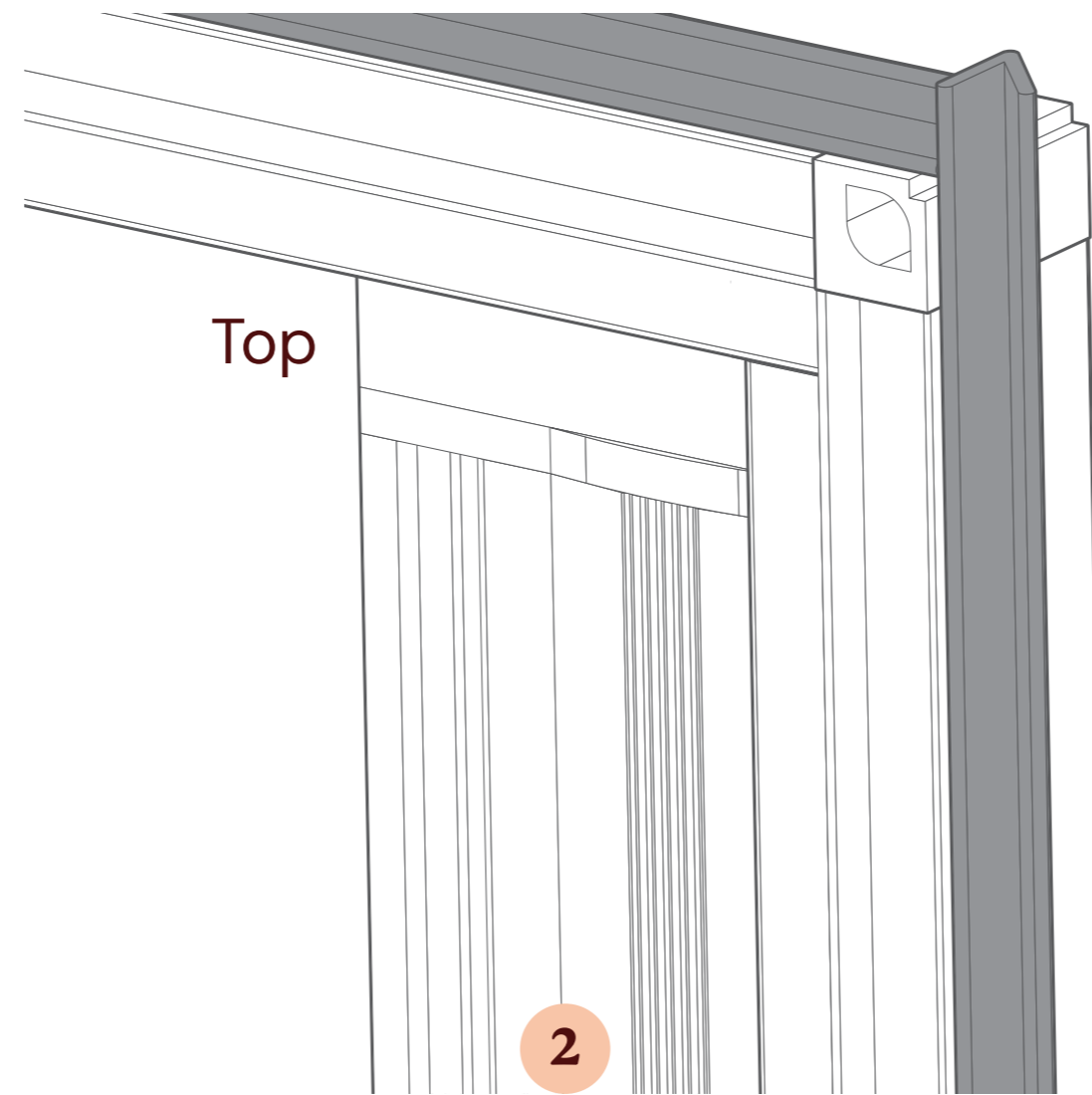
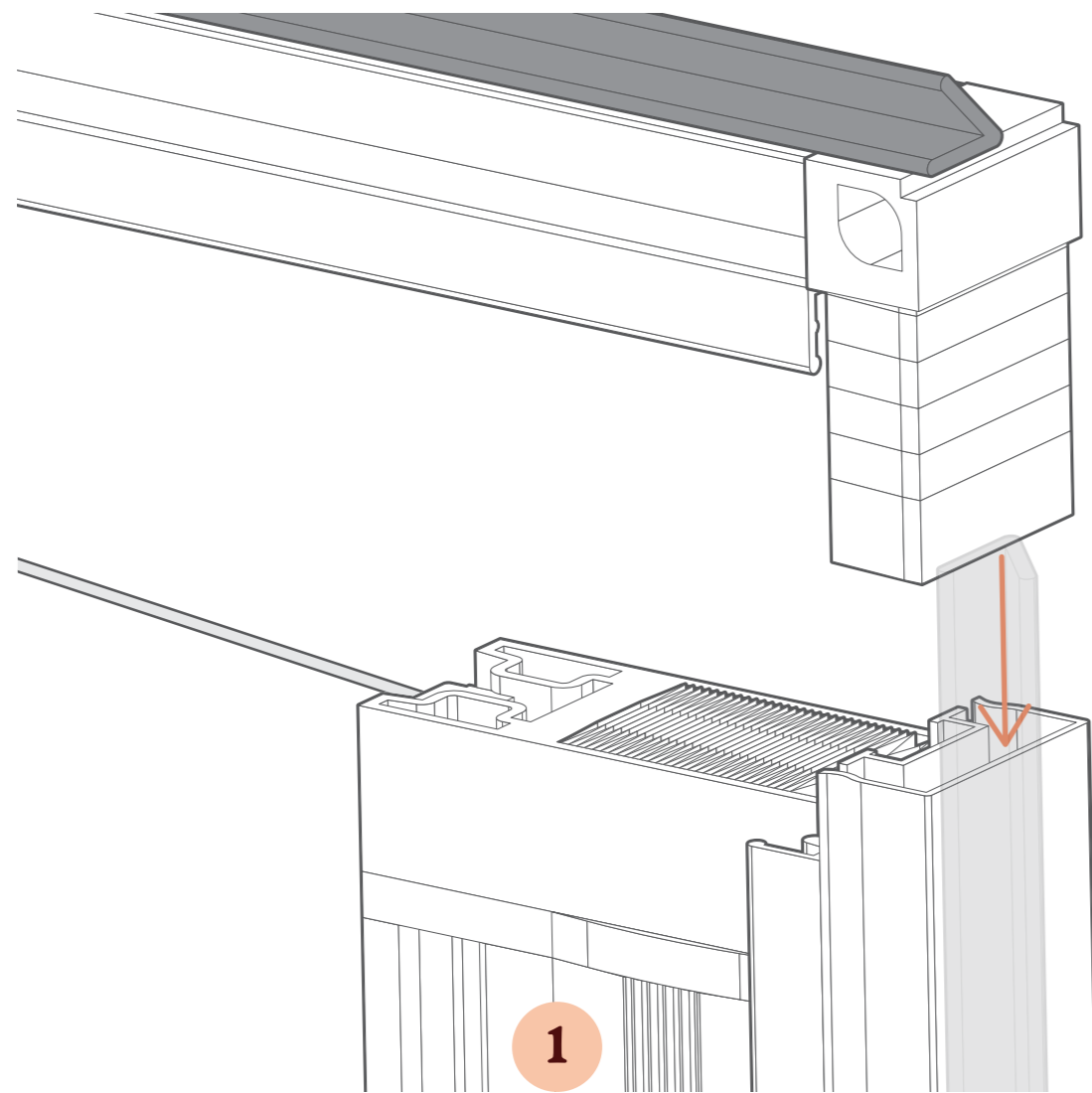


Parts included *in your order*:

- 1 GlideShade Blind
- 2 Top rail
- 3 Bottom rail
- 4 Far-side rail
- 5 Corner caps



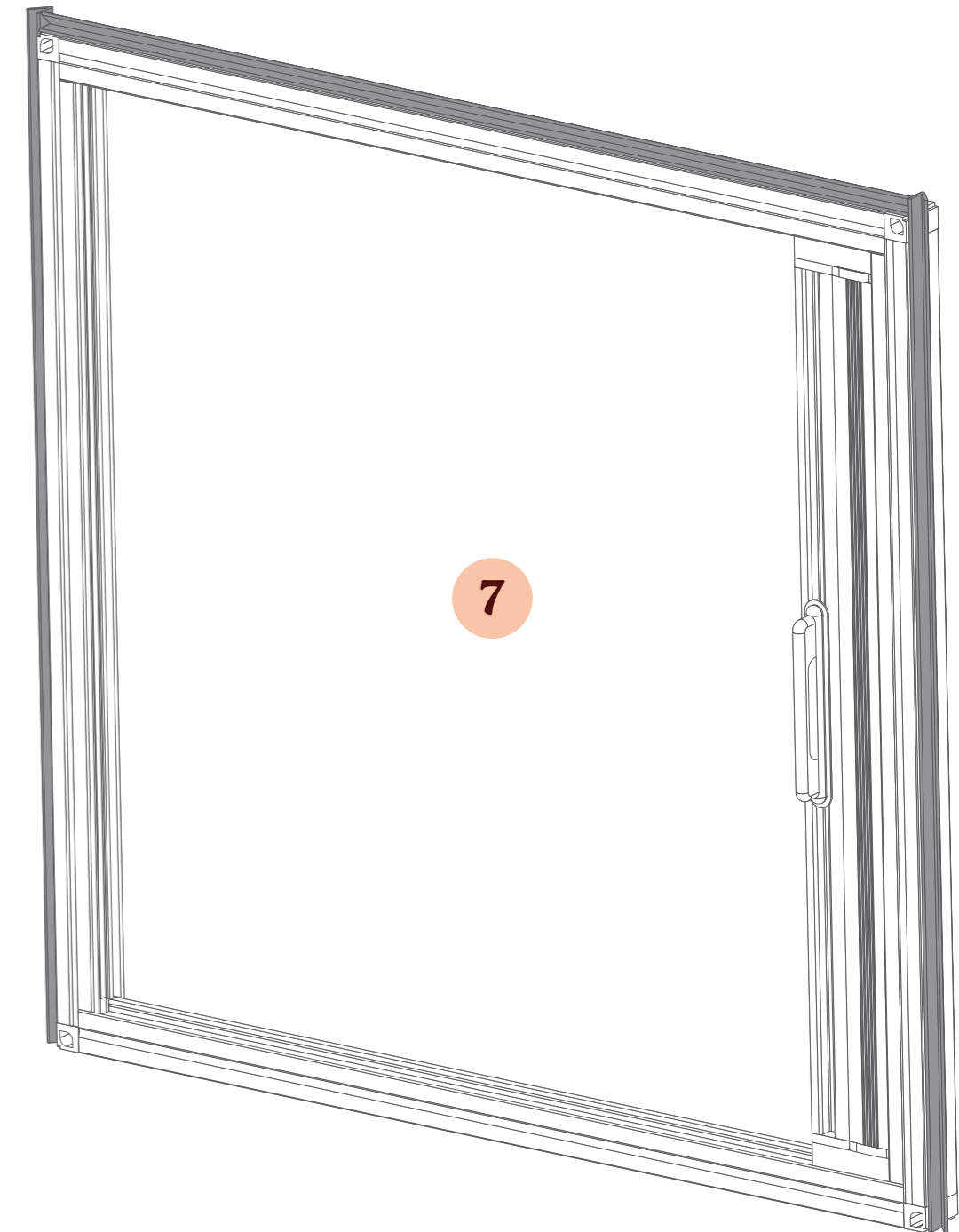
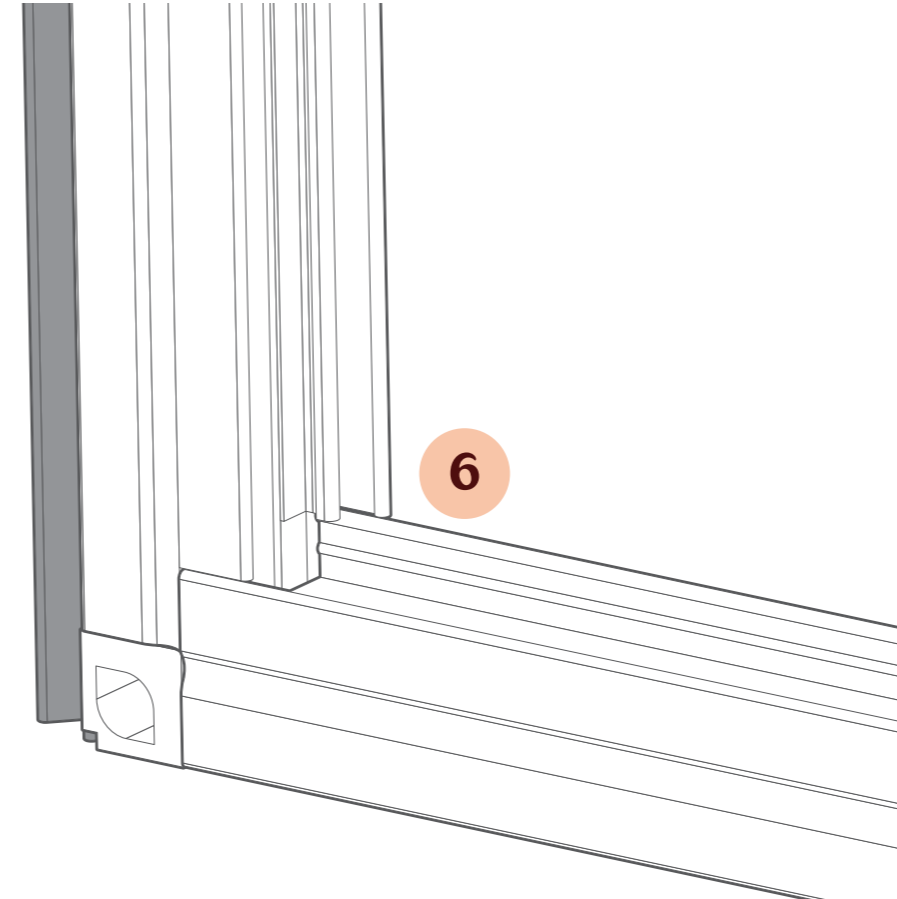
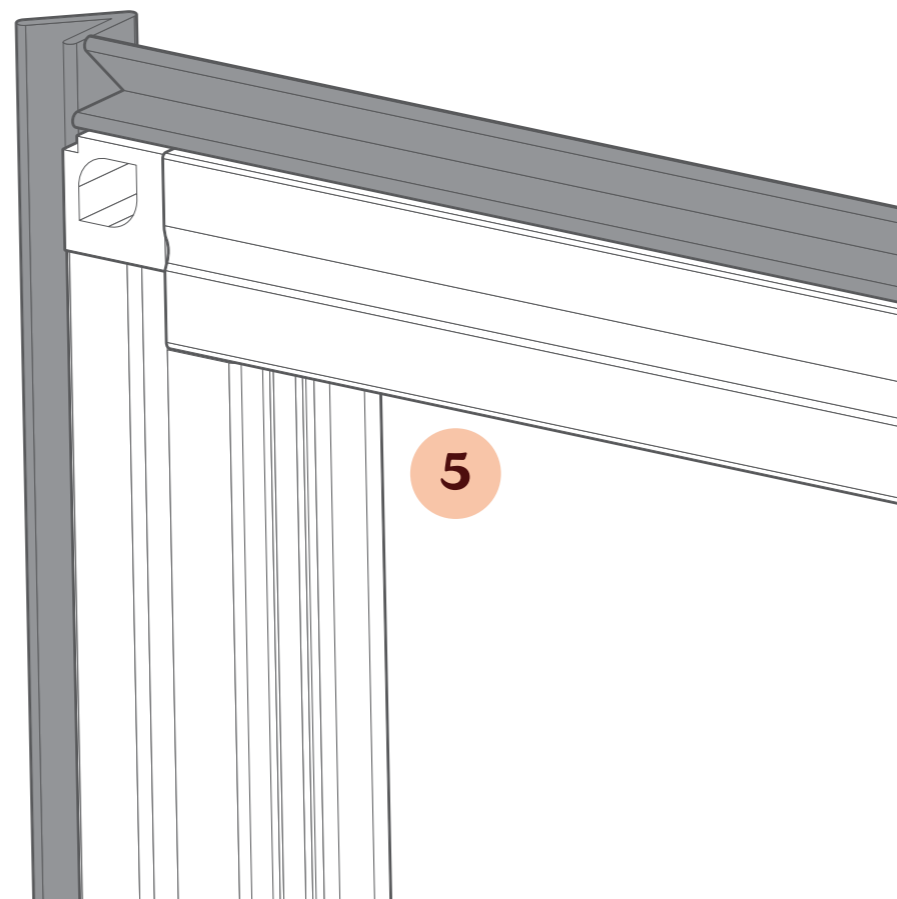
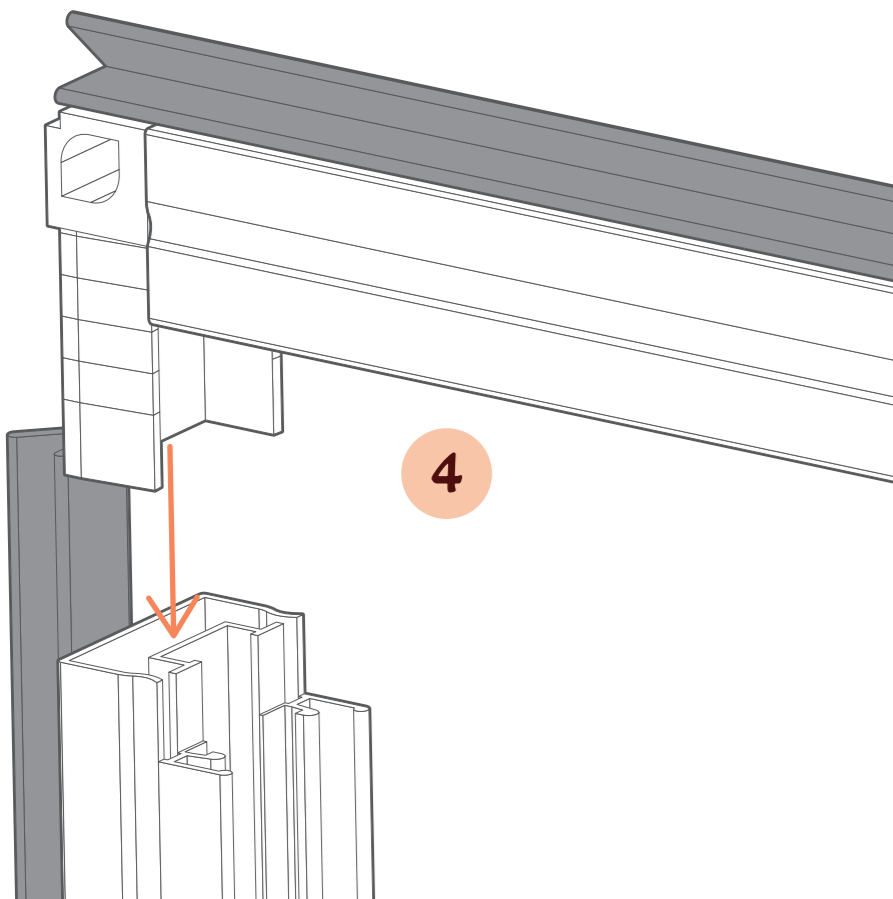
Section 2 Assembling the Blind



Take the top rail and slot the end opposite to where the cord is attached into the end of the blind's rail (1). This will pull the cord taut. Push the end piece all the way into the blind's rail until they're securely locked together (2).

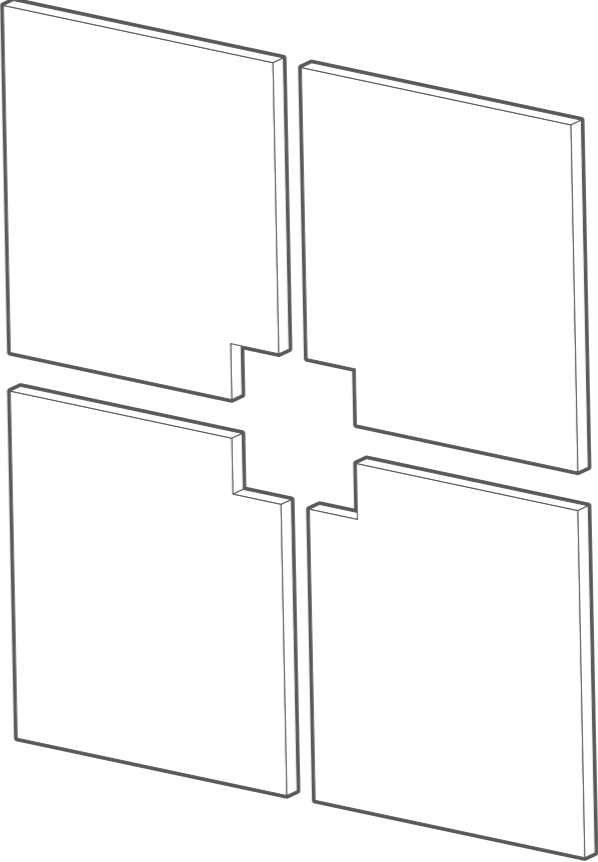
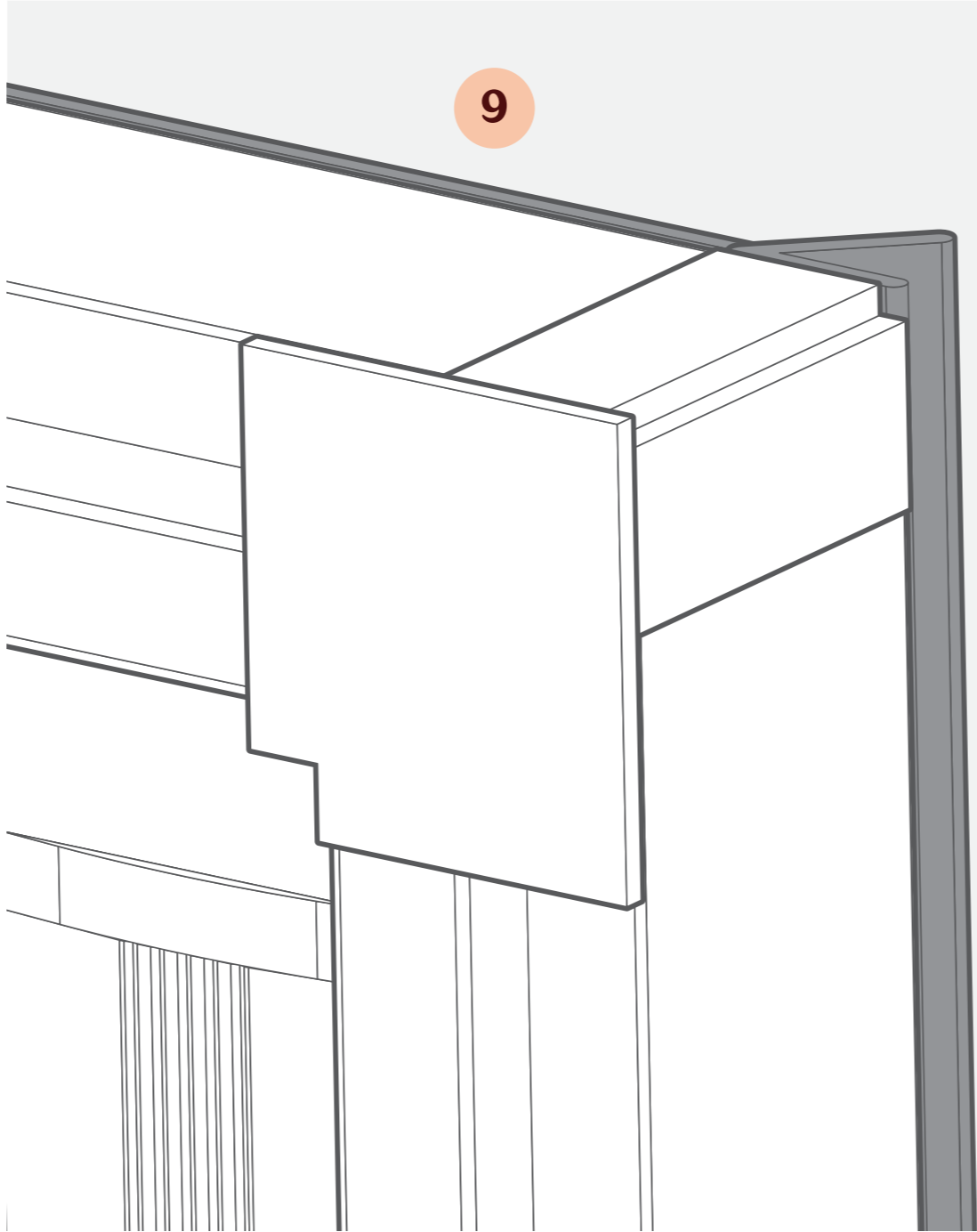
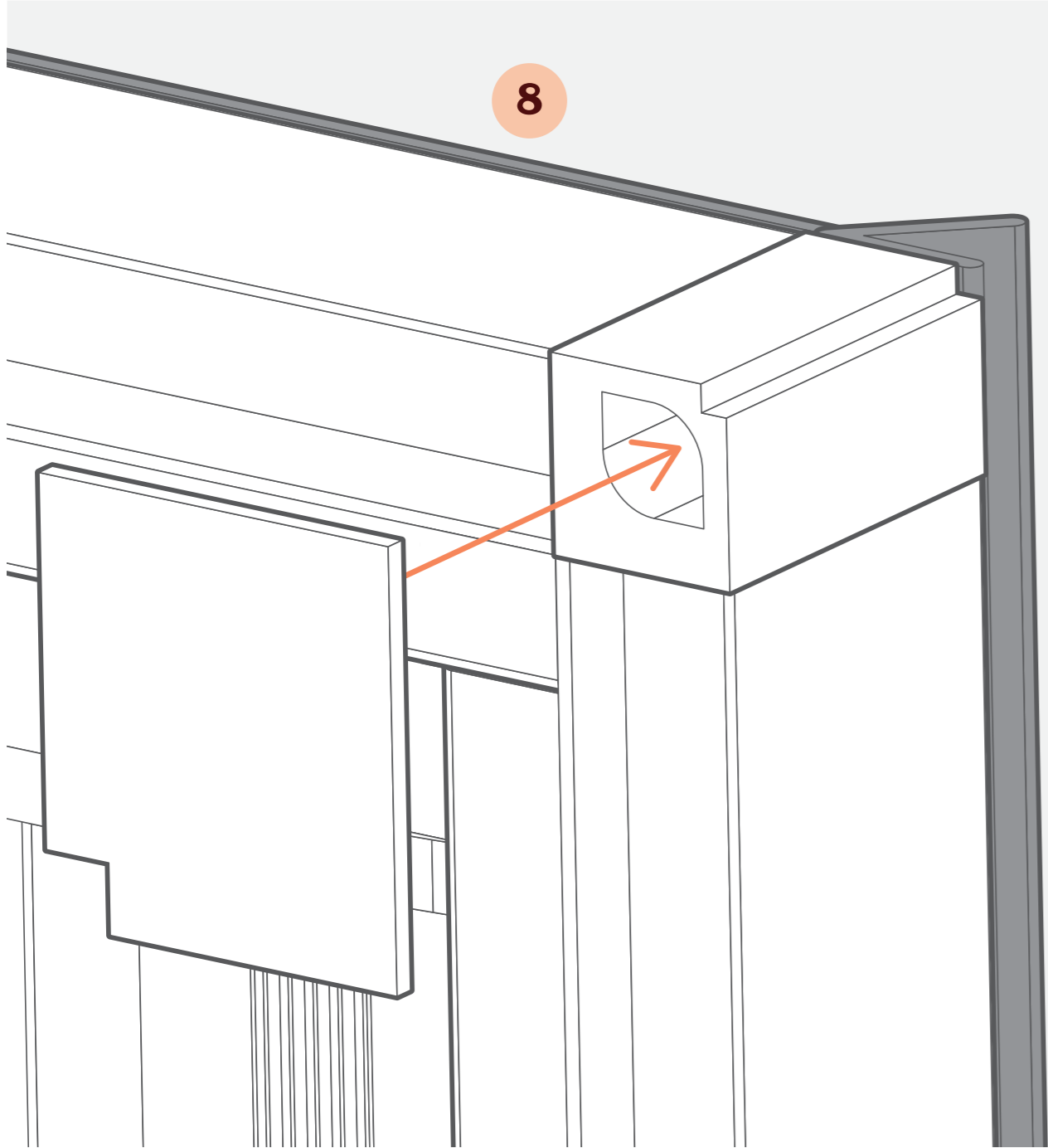
Repeat for the bottom rail (3).

Section 2 Assembling the Blind

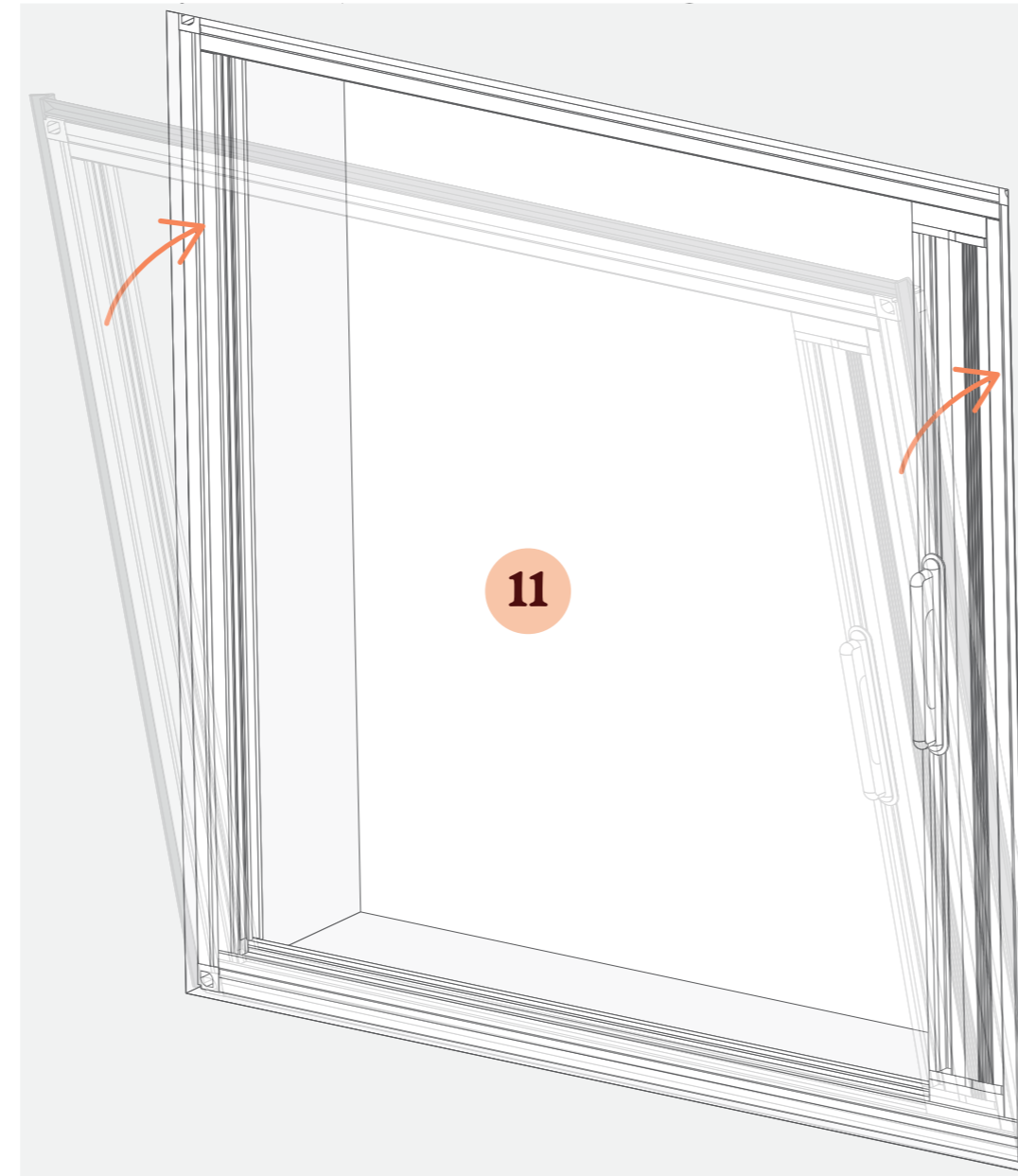


Take the far-side rail and plug the top and bottom rail into the ends (4 / 5 / 6), just as you did with the blind rail. The blind is now almost fully assembled (7) – the corner caps can be fitted after the blind is installed.

Section 2 Assembling the Blind



Finally, clip the corner covers onto each of the corner blocks (8 / 9).



On the bottom rail, peel the cover off the adhesive strip (10).

Raise the blind to the recess with the top angled towards you. Rest the bottom rail against the sill, straighten up, then push the rest of the blind back into the recess until it's sitting straight (11).

And that's it! Your beautiful new blind is installed and ready to enjoy.