

### Turn your phone or tablet

Our guides are best viewed in landscape if you're viewing on your phone or tablet.

### Designed for *DIY*

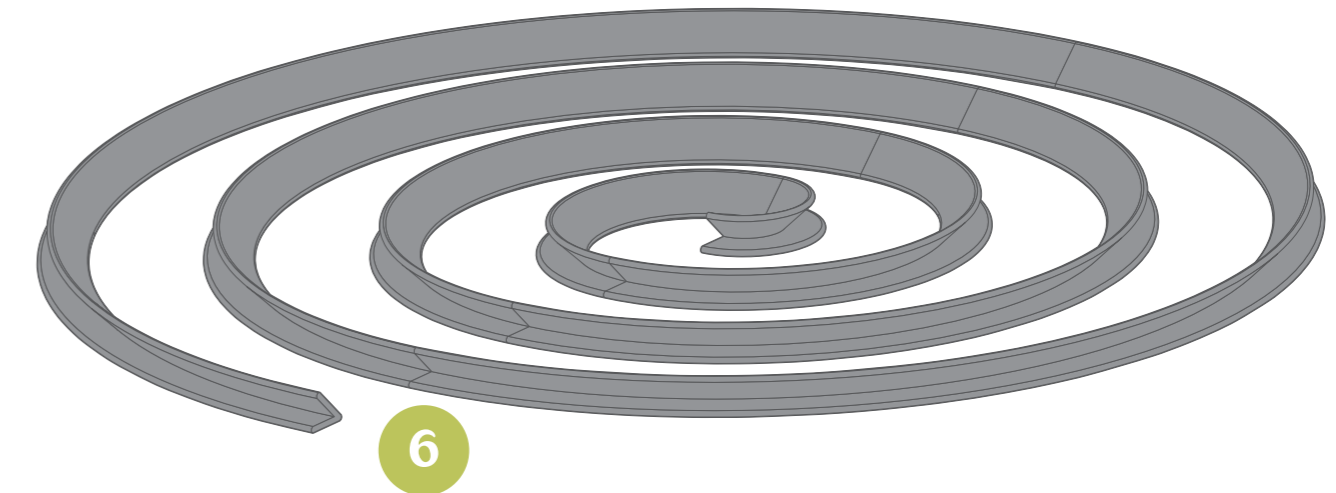
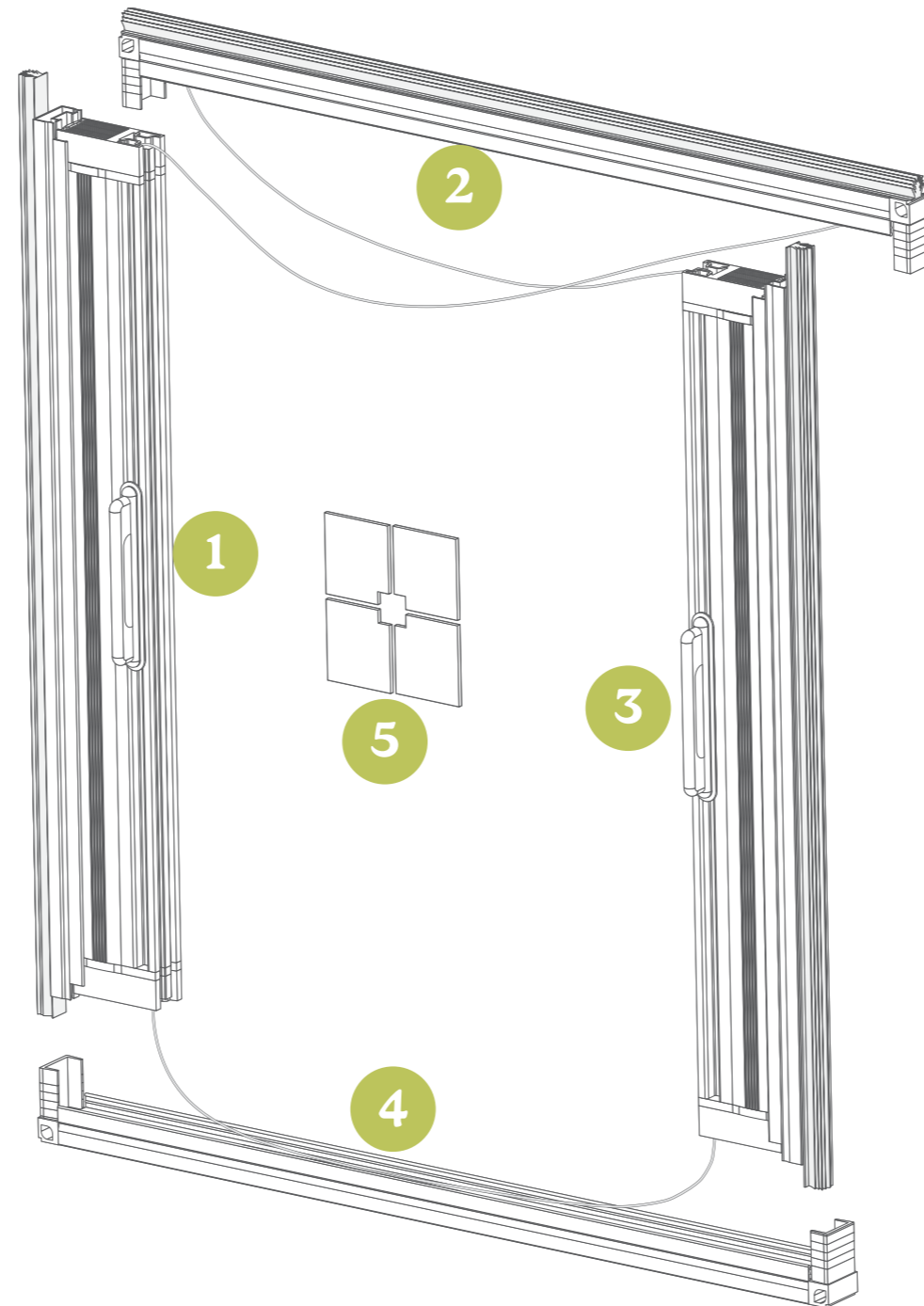
Our GlideShade Night & Day Blinds are designed to be installed by you, without specialist fitters, even if you don't have much DIY experience.

**Please read each page of this guide carefully during installation, following along one step at a time.**

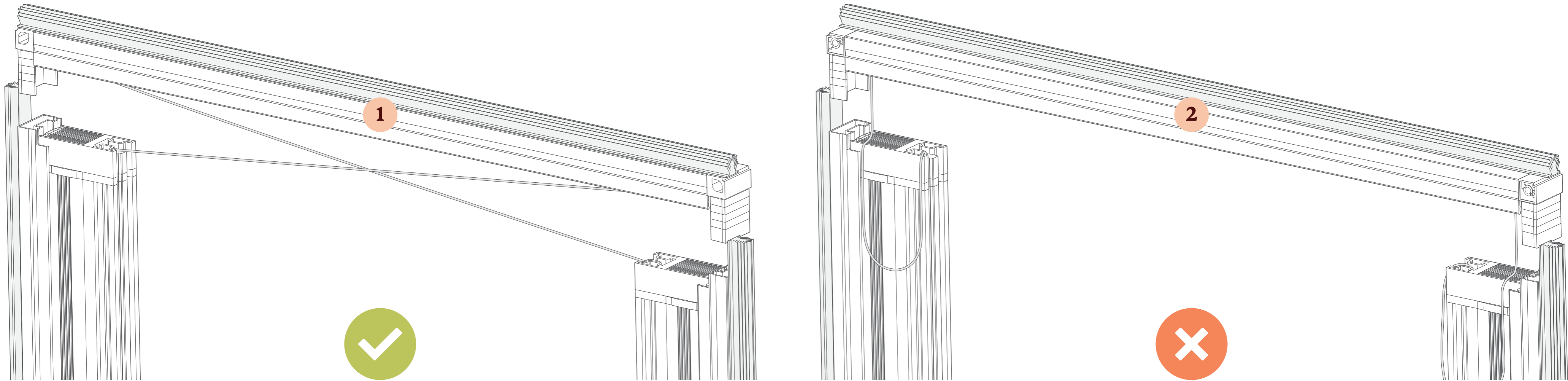


## Parts included *in your order*:

- 1 Left side blind
- 2 Top rail
- 3 Right side blind
- 4 Bottom rail
- 5 Corner caps
- 6 Blackout seal

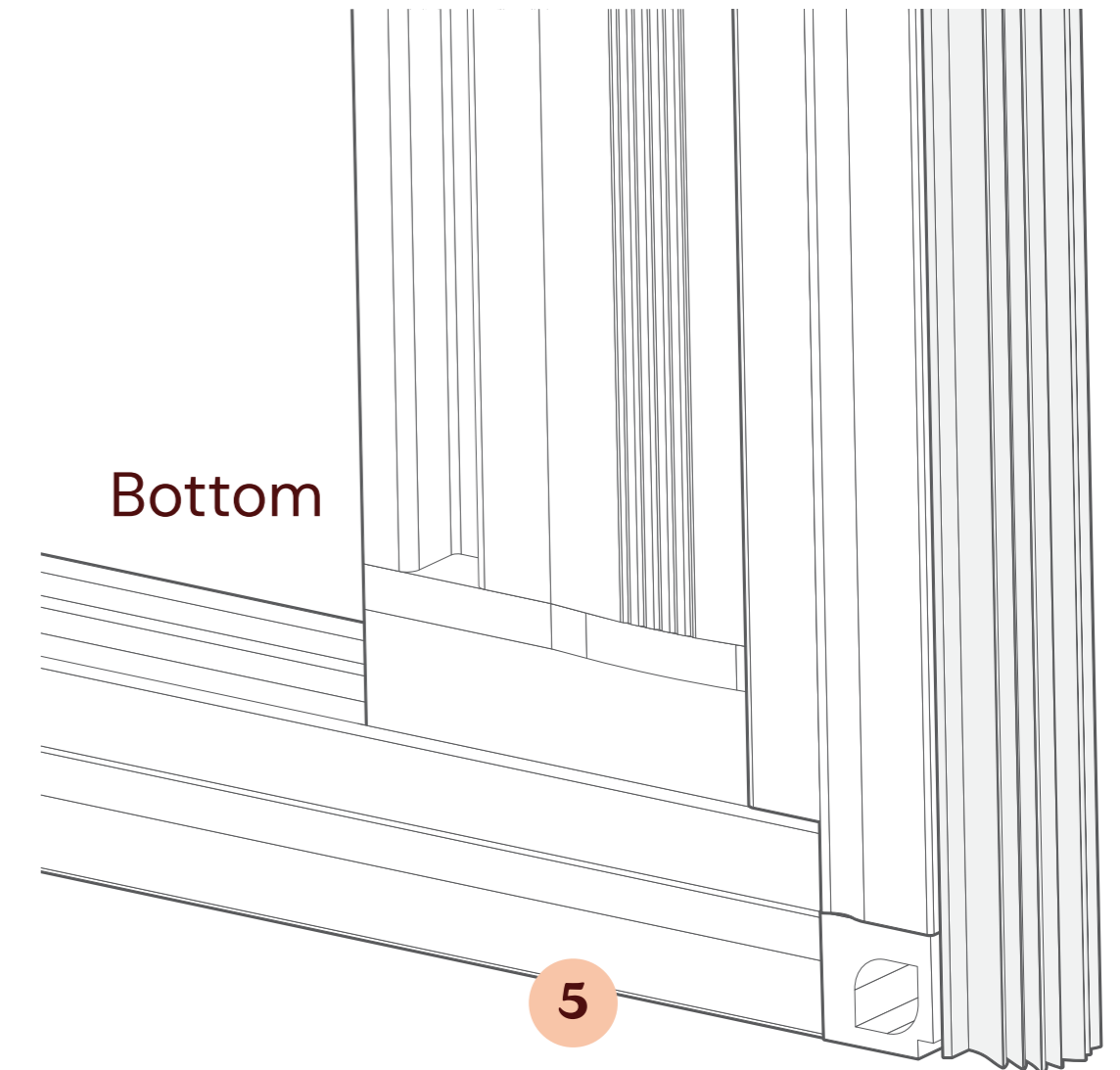
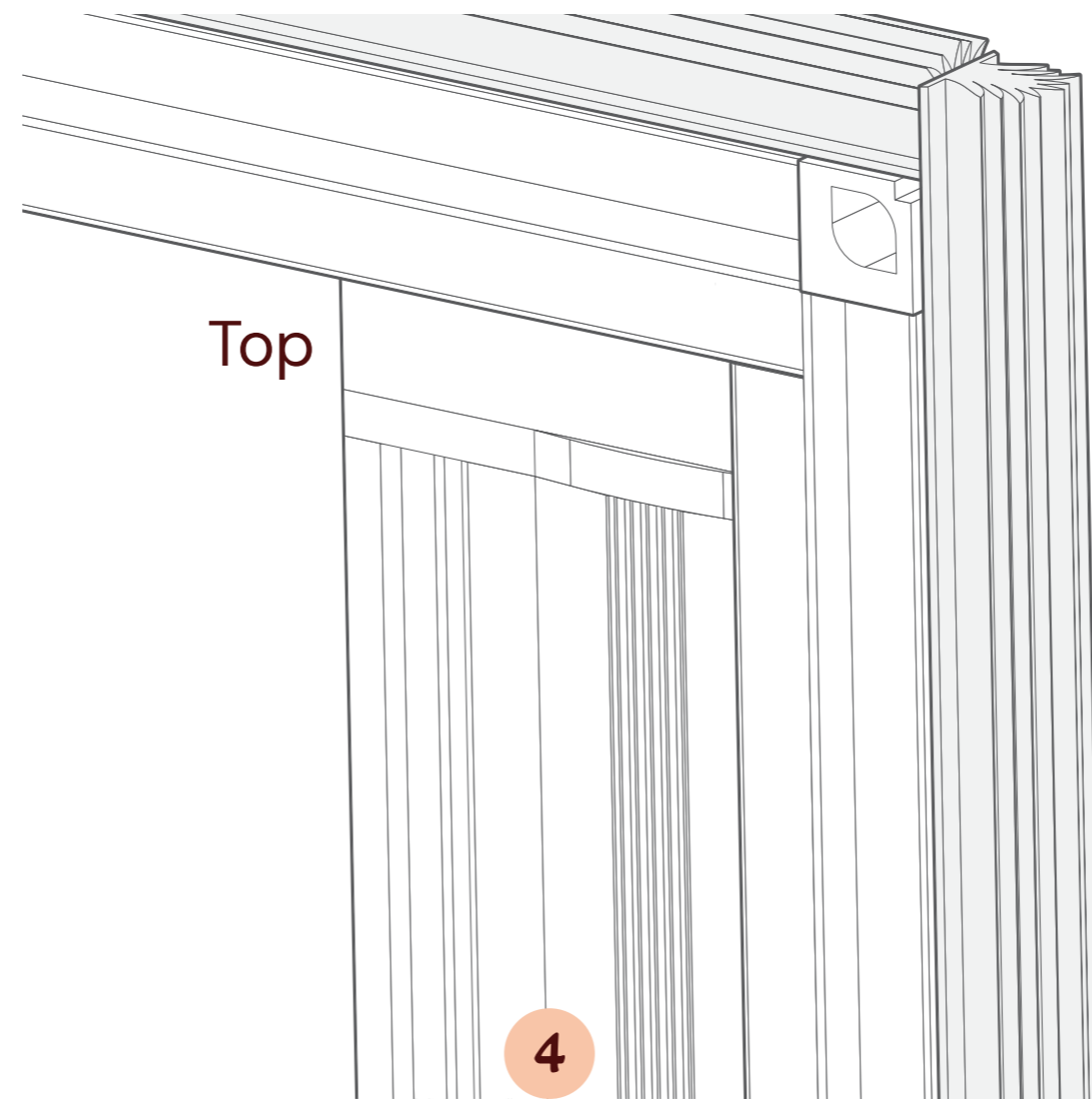
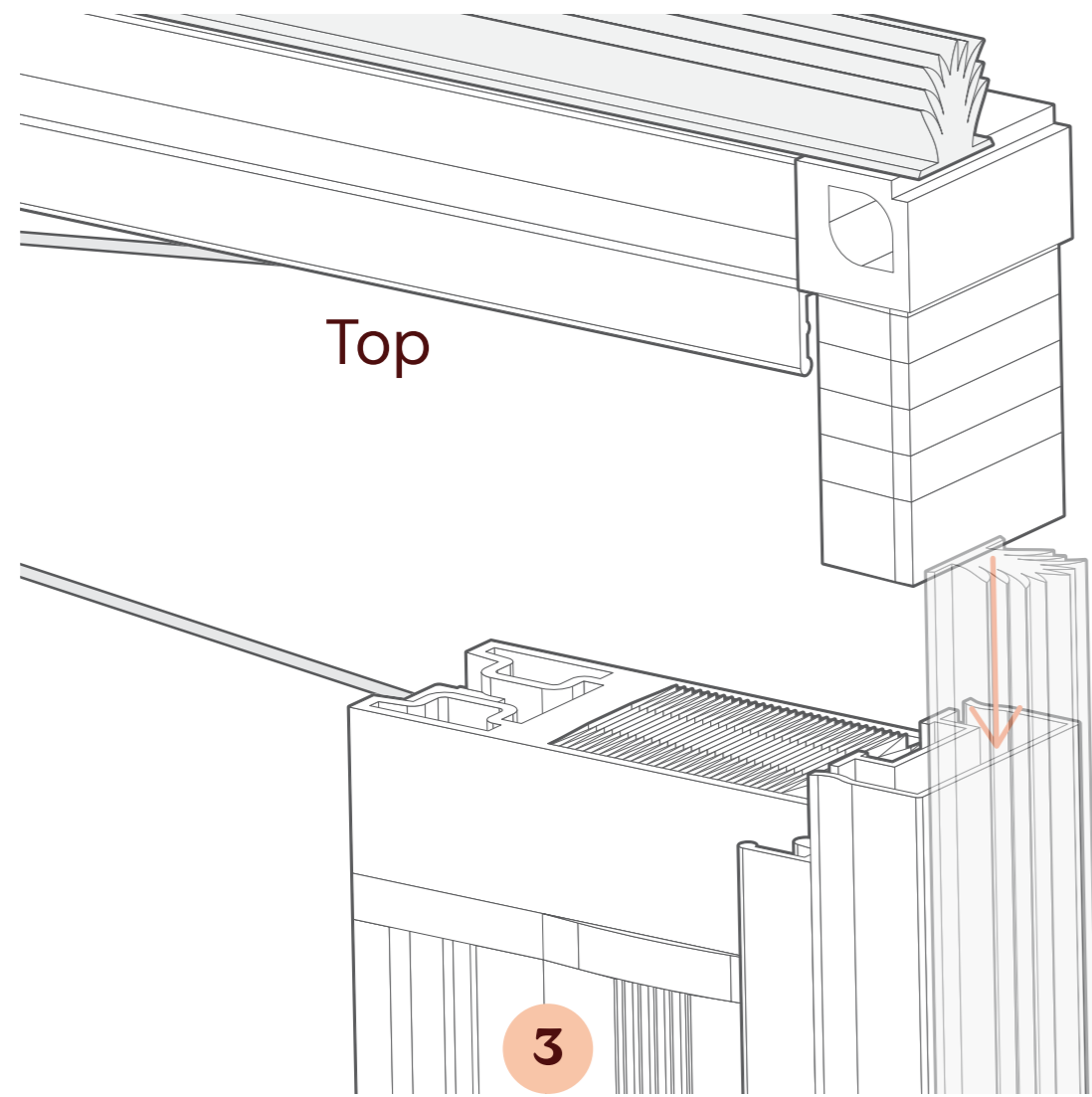


## Section 2 Assembling the Blind



Before assembly, take a moment to make sure everything's the correct way round. The handles of the blinds are the front, and both the top and bottom bar are connected to the ends of both blinds by a cord. The cords should 'cross' each other – for reference, (1) above is correct, whilst (2) has the top bar turned around the wrong way.

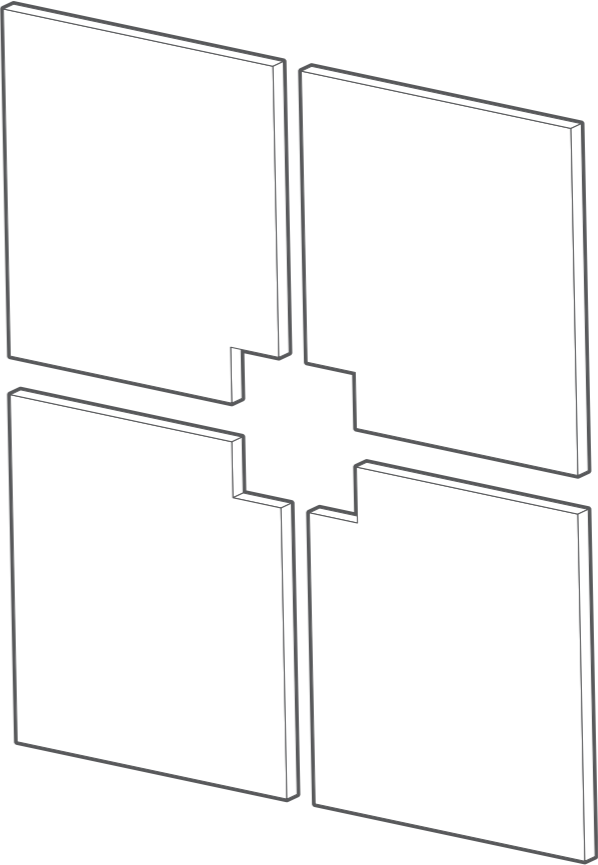
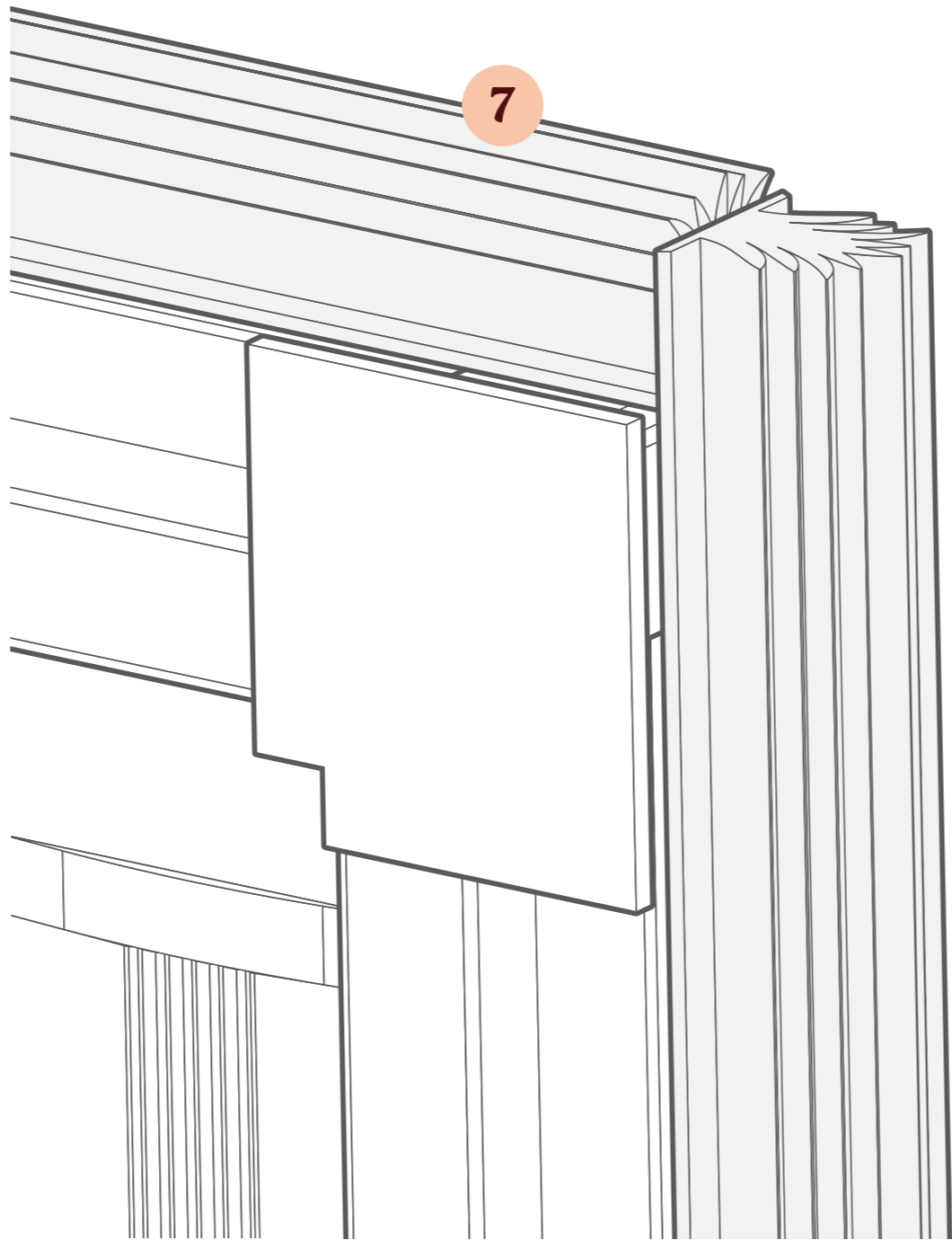
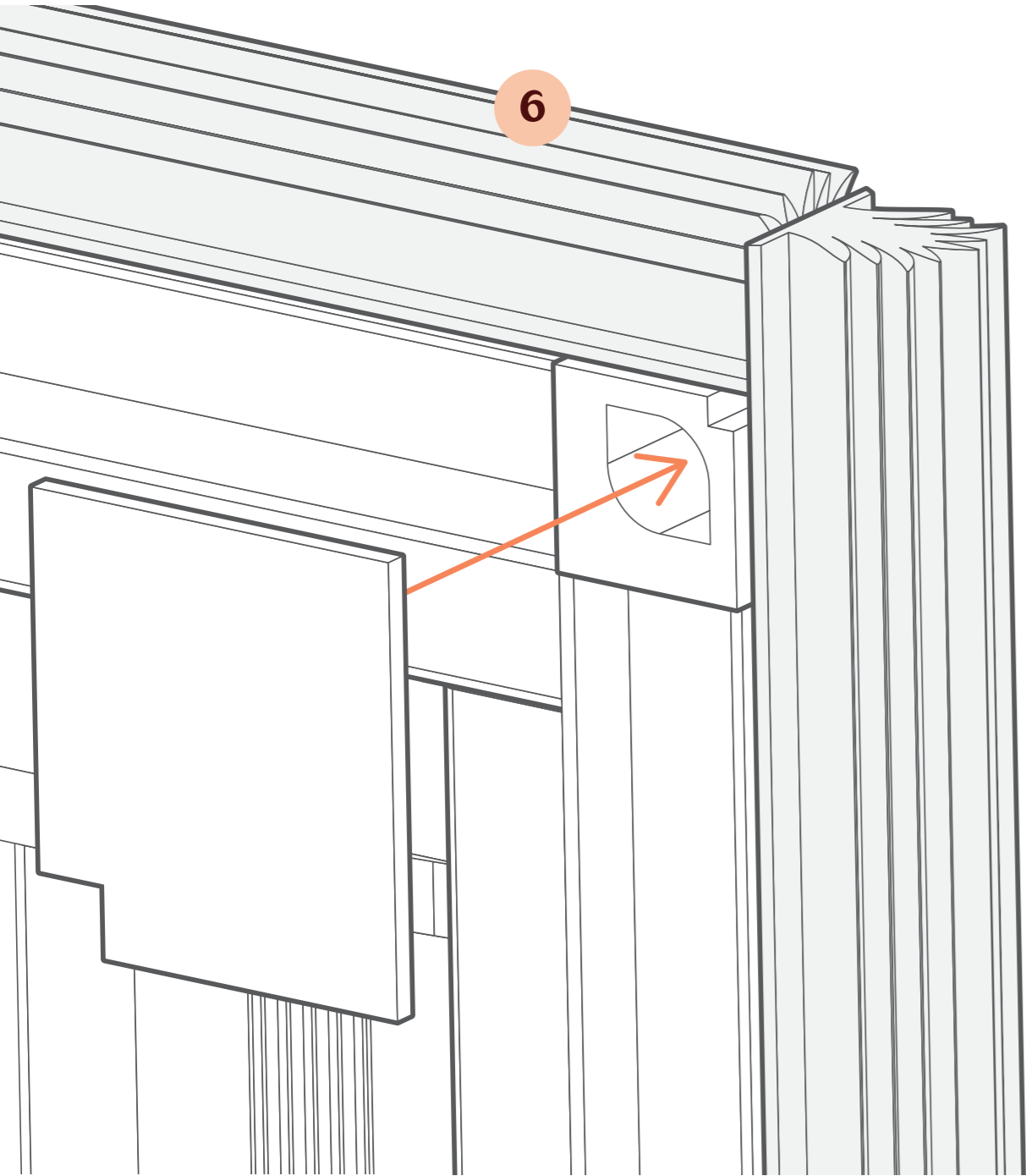
## Section 2 Assembling the Blind



Take the top rail and slot the ends into the open ends of each of the blinds' rails (3). This will pull the cords taut. Push the end pieces all the way into the blind rails until they're securely locked together (4).

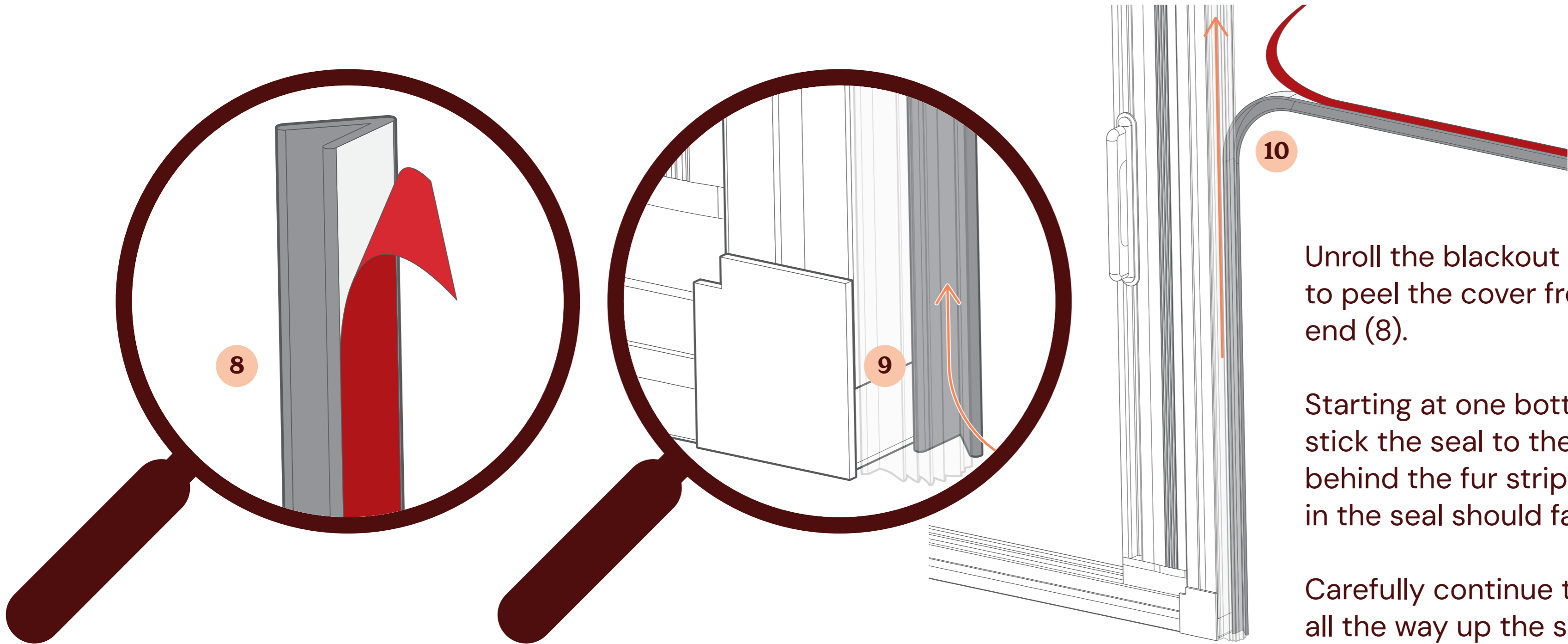
Repeat for the bottom rail (5).

# Section 2 Assembling the Blind



Clip the corner covers onto each of the corner blocks (6 / 7).

## Section 2 Assembling the Blind

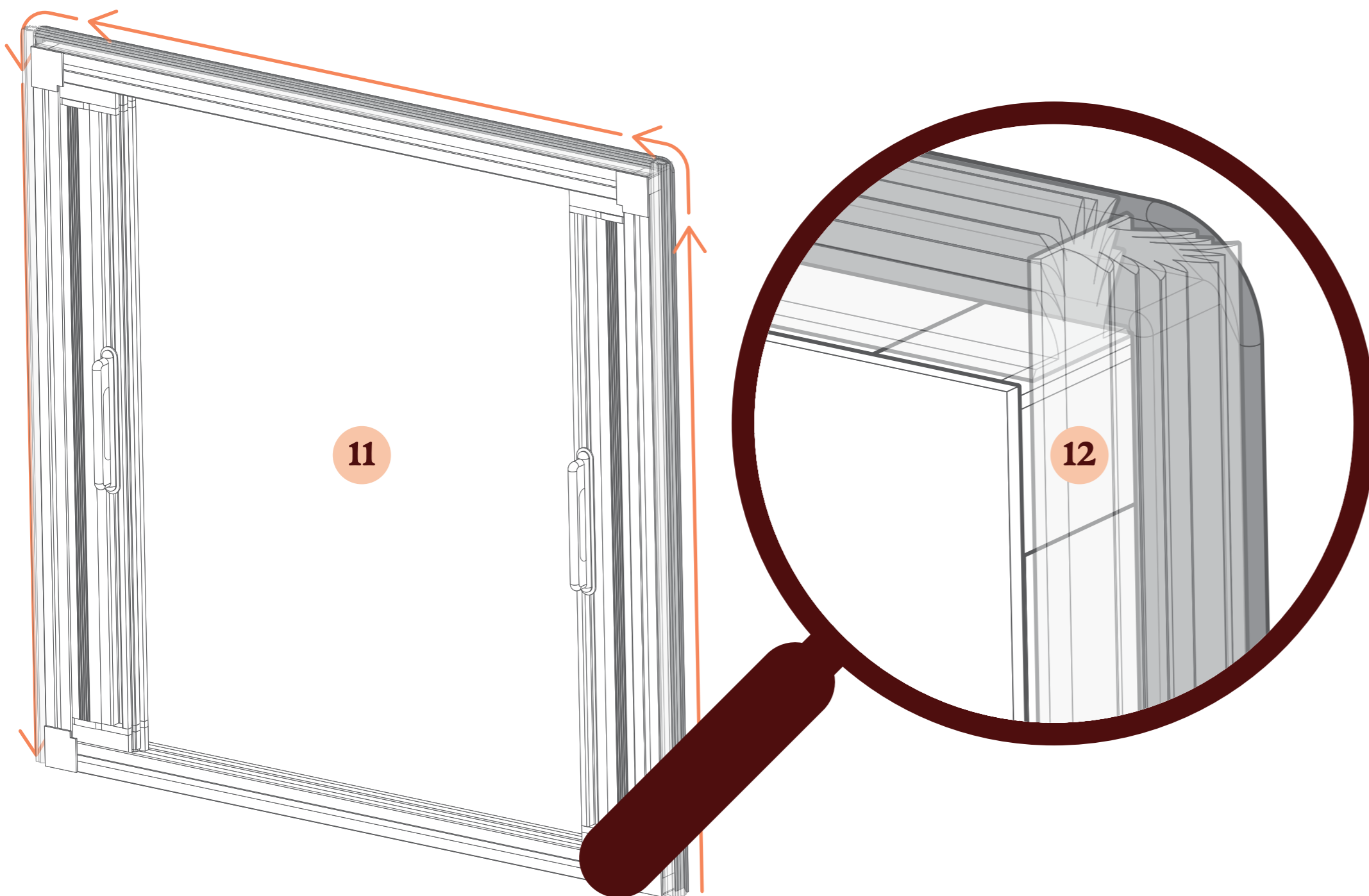


Unroll the blackout seal and carefully begin to peel the cover from the adhesive at one end (8).

Starting at one bottom corner of the frame, stick the seal to the side of the frame, behind the fur strip (9) – the open 'V' shape in the seal should face forward.

Carefully continue to peel and stick the seal all the way up the side frame (10).

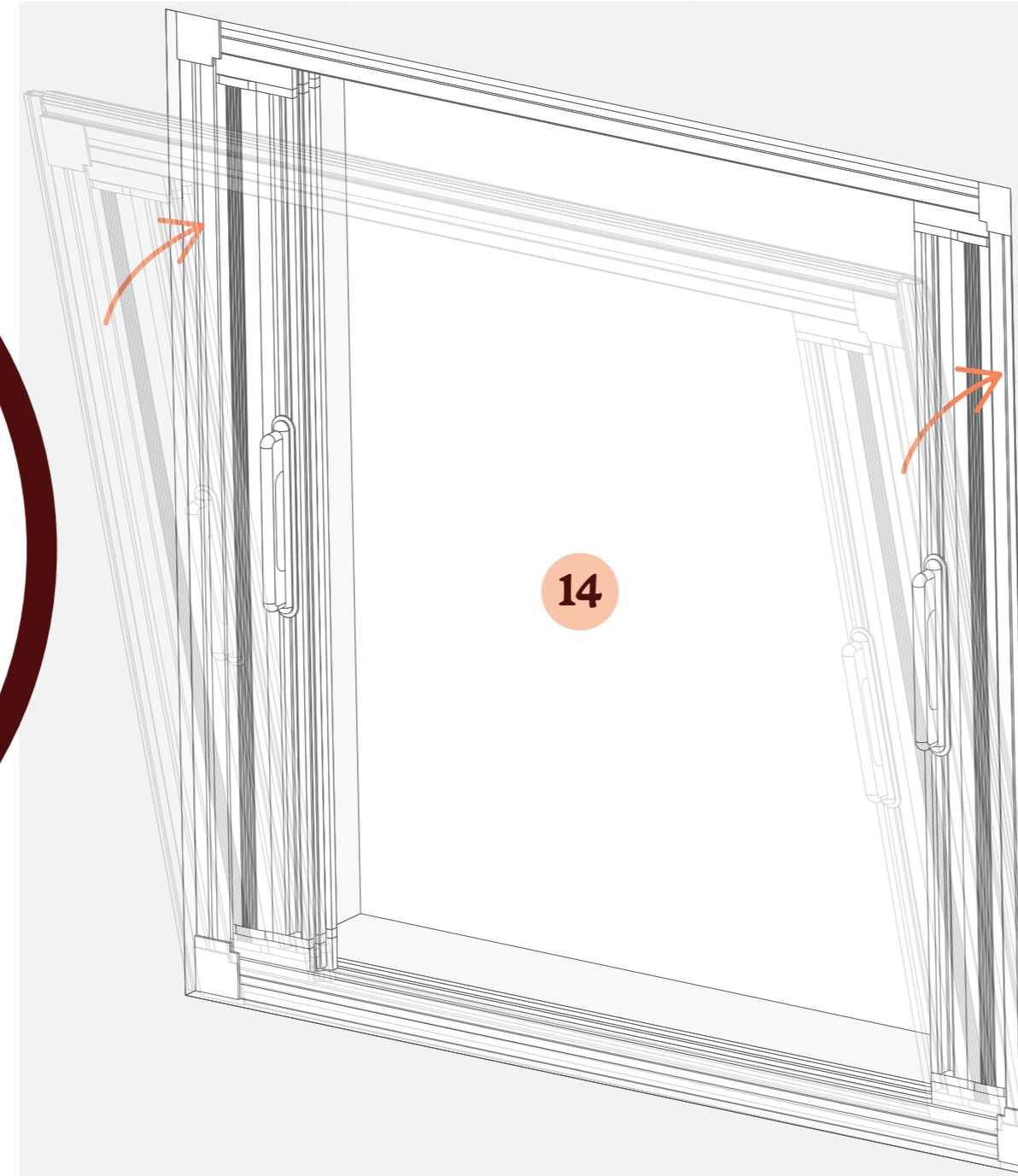
## Section 2 *Assembling the Blind*



Continue to stick the seal all the way around the frame (11), folding it over the corners (12), until you reach the other bottom corner of the blind. The seal should only be attached to the top and sides of the frame, not the bottom.

Trim off any excess seal level with the bottom of the blind.

## Section 3 *Installing the Blind*



On the bottom rail, peel the cover off the adhesive strip (13).

Raise the blind to the recess with the top angled towards you. Rest the bottom rail against the sill, straighten up, then push the rest of the blind back into the recess until it's sitting straight (14).

**And that's it! Your beautiful new blind is installed and ready to enjoy.**