

### Turn your phone or tablet

Our guides are best viewed in landscape if you're viewing on your phone or tablet.

### Designed for *DIY*

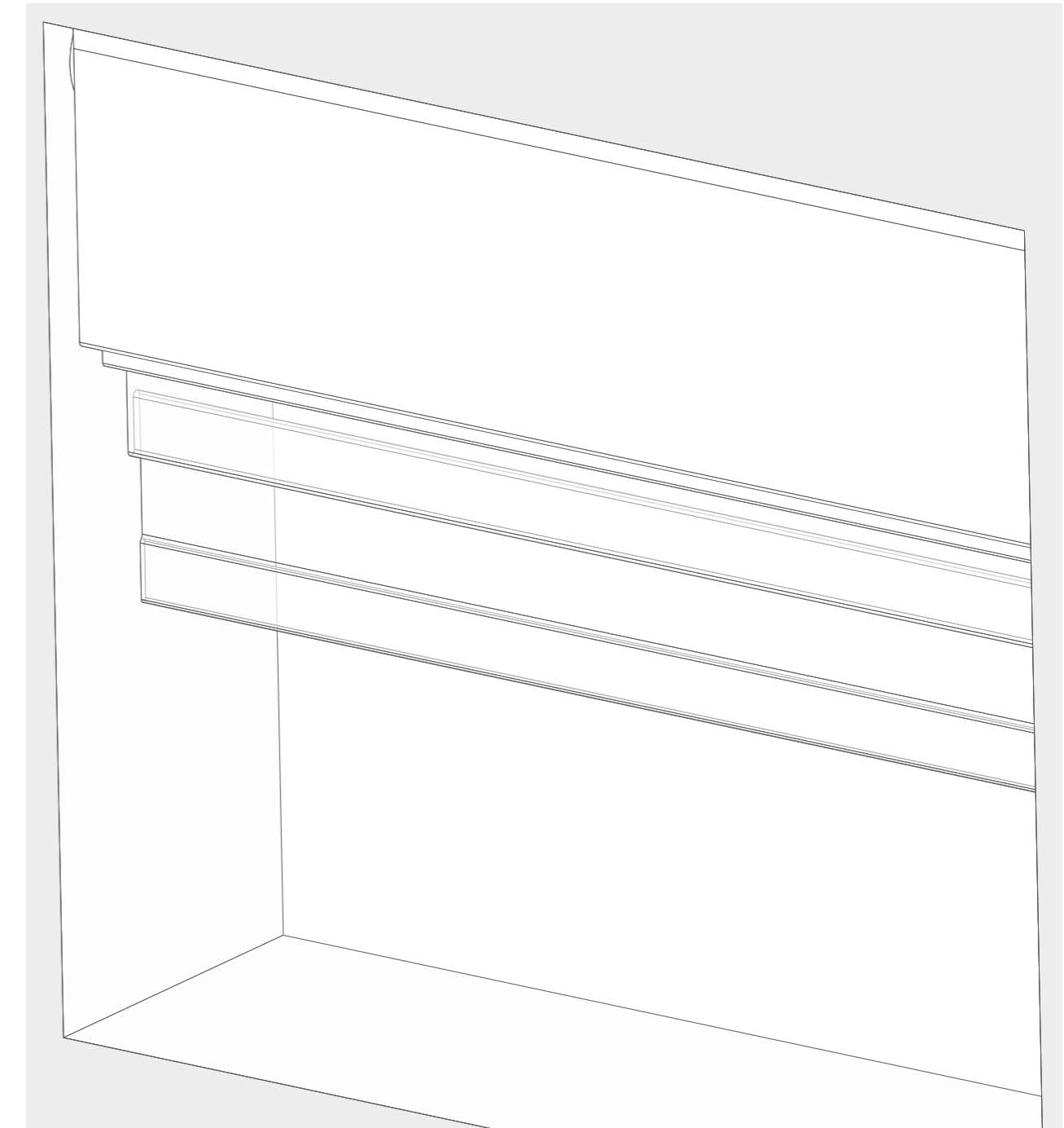
Our Electric Double Roman Blinds are designed to be installed by you, without specialist fitters, even if you don't have much DIY experience.

**Please read each page of this guide carefully during installation, following along one step at a time.**

### Did you *upgrade*?

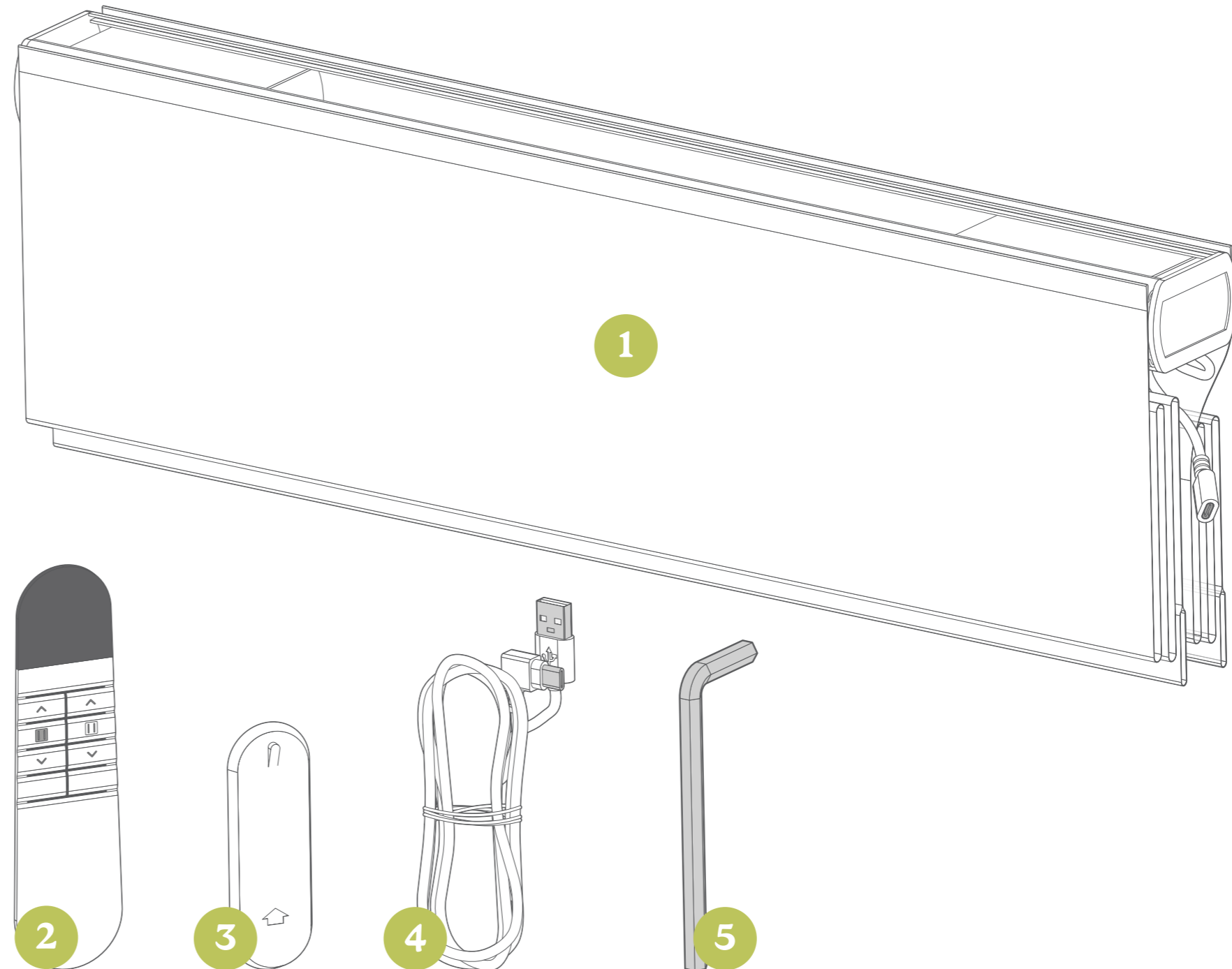
If you didn't choose our no-drill ClickLock upgrade, use this link to find your guide:

**Standard Installation**

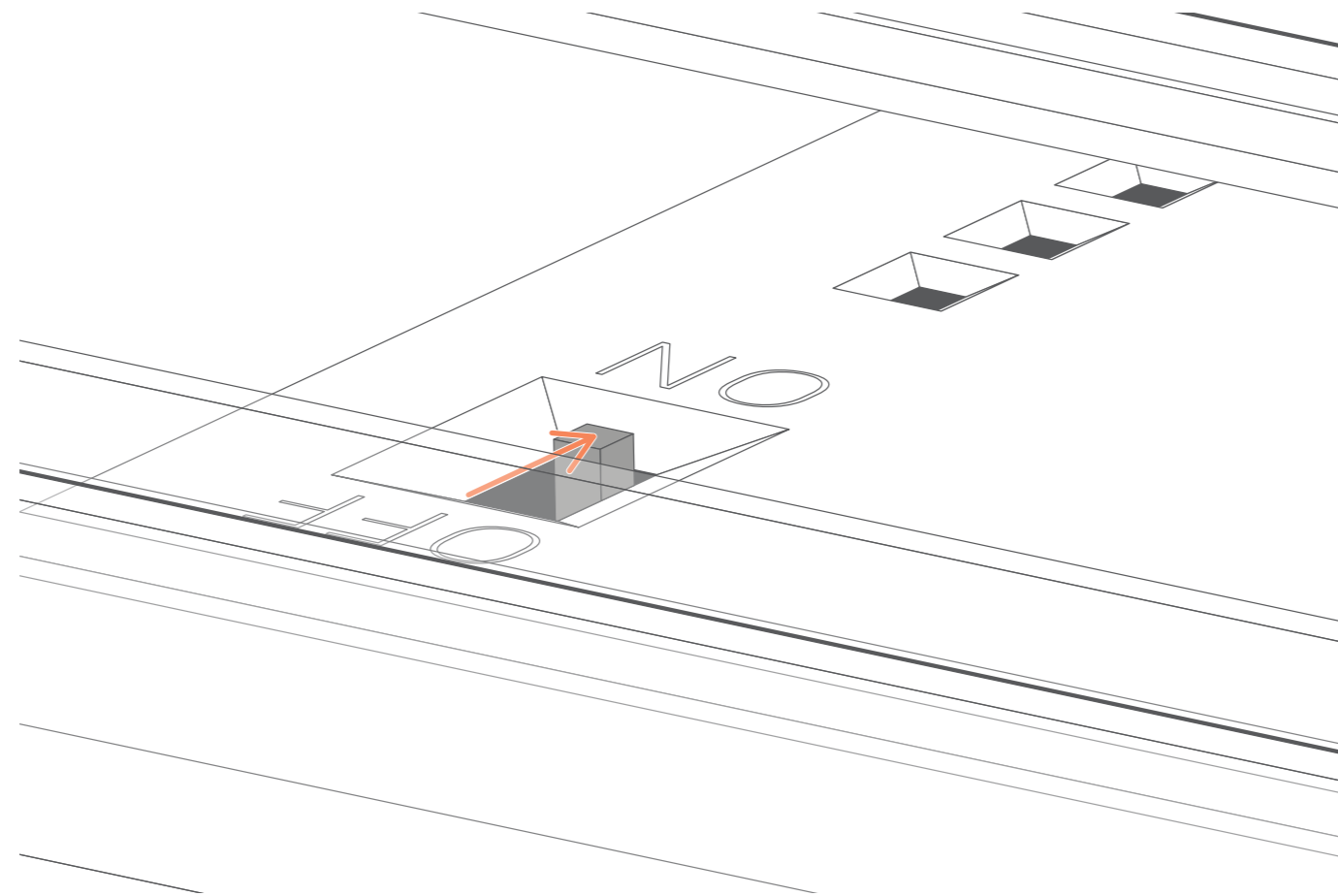


## Parts included *in your order*:

- 1 Double Roman Blind
- 2 Remote control
- 3 Remote wall mount
- 4 Charging cable
- 5 Allen key

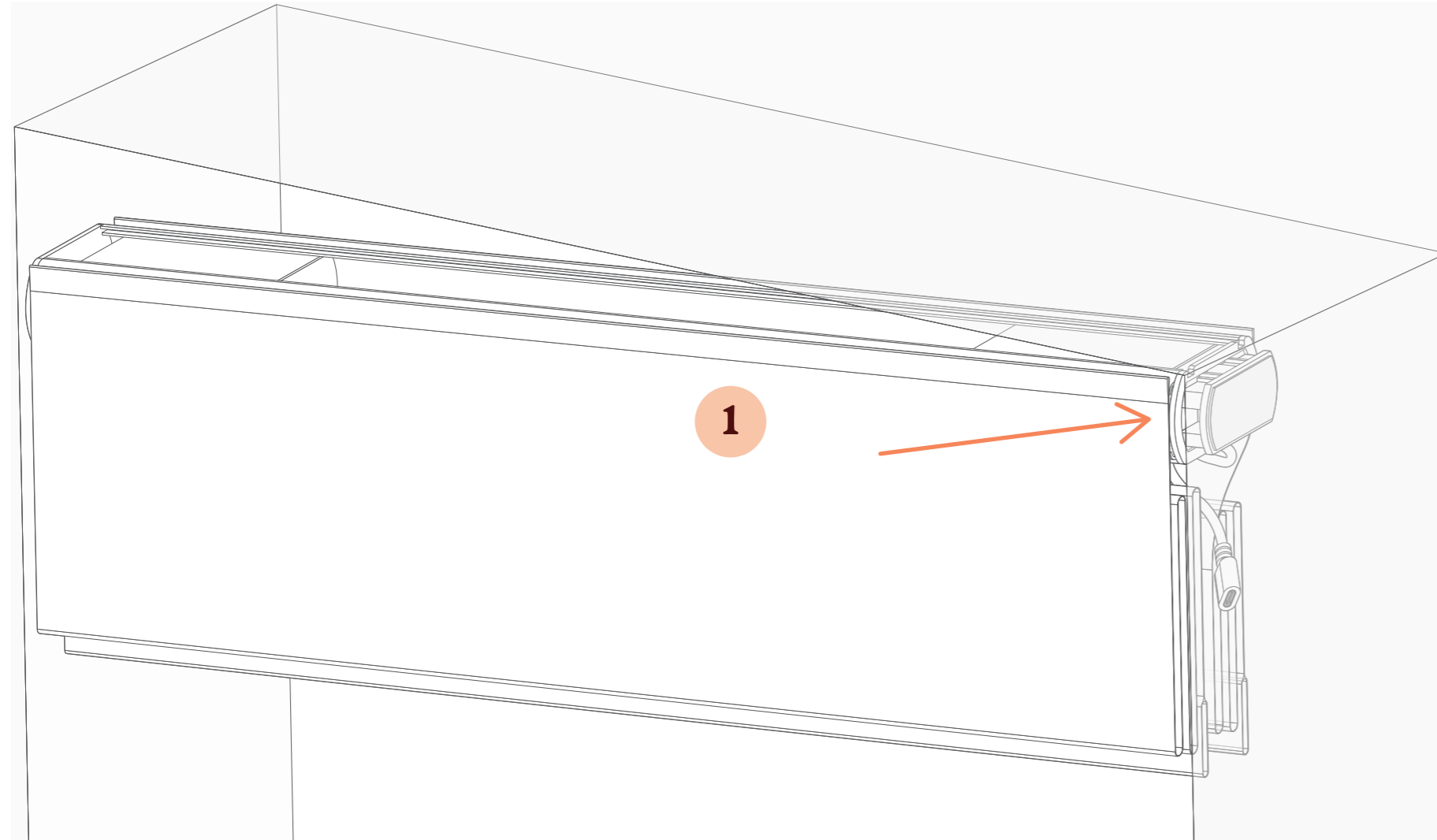


## Section 2 *Installing the Blind*

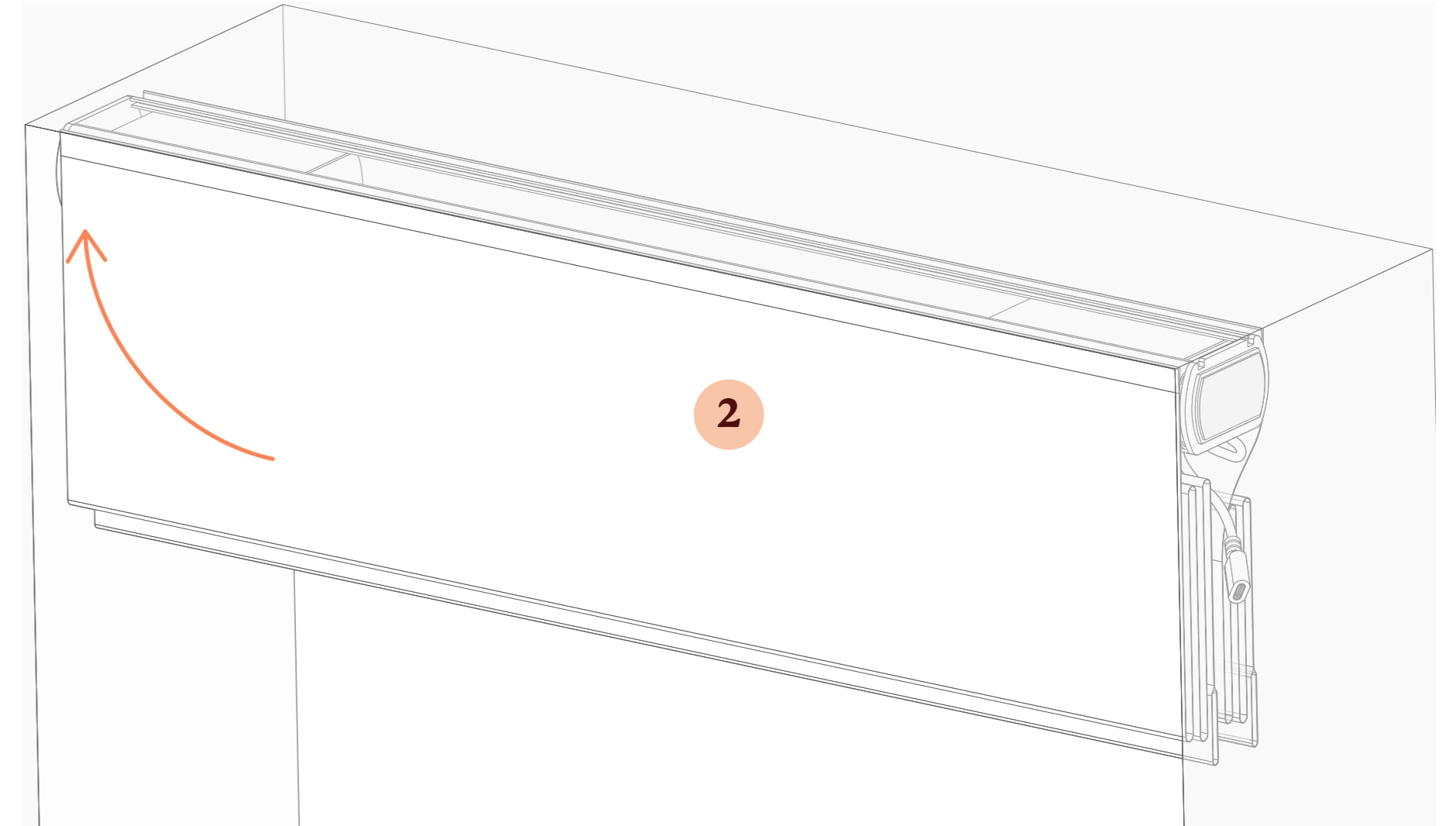


Note that the motor is switched off by default, make sure that it is switched on before installing.

## Section 2 *Installing the Blind*

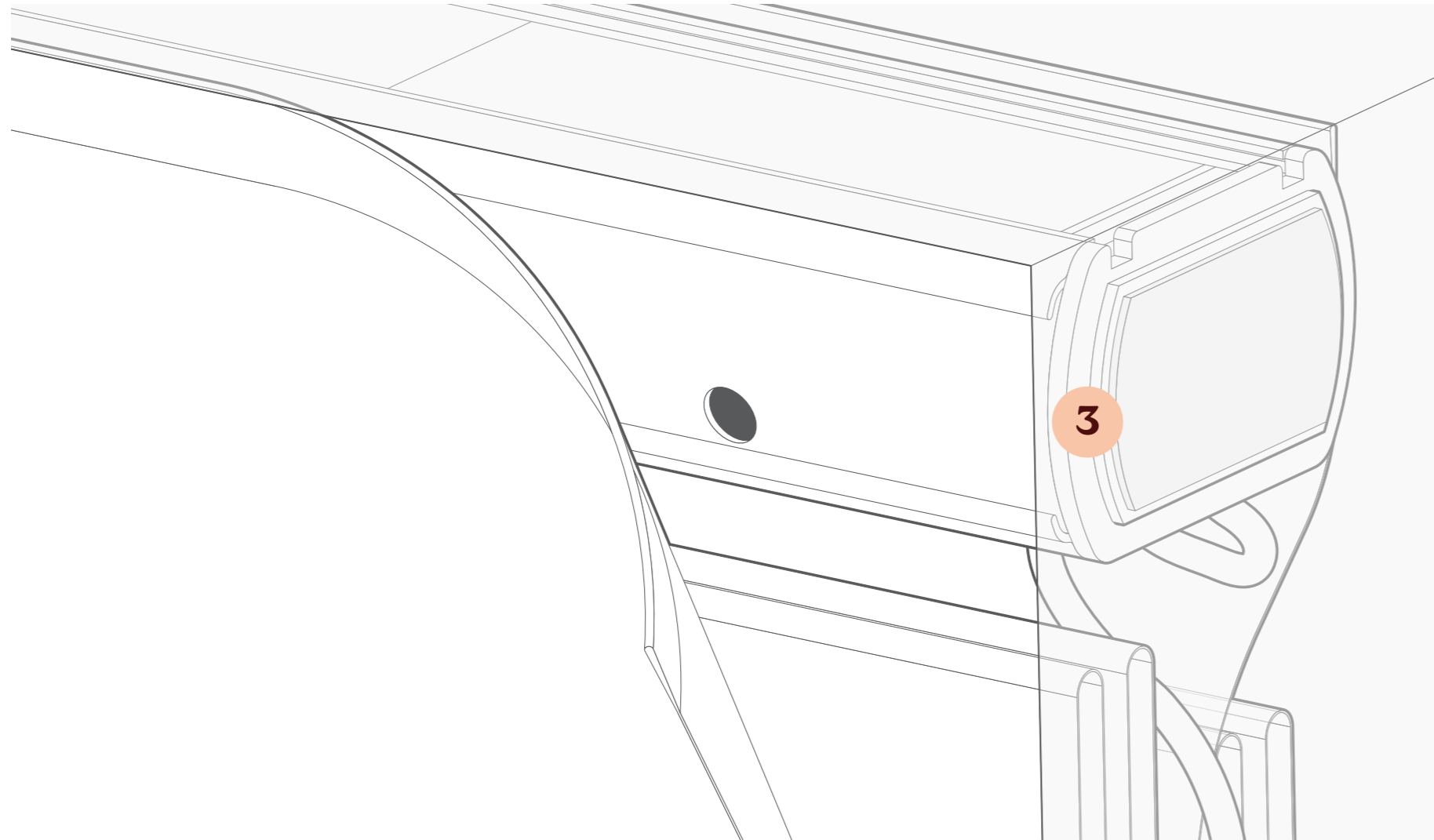


Raise the blind into the recess at an angle, pressing the ClickLock push pad against the wall (1).

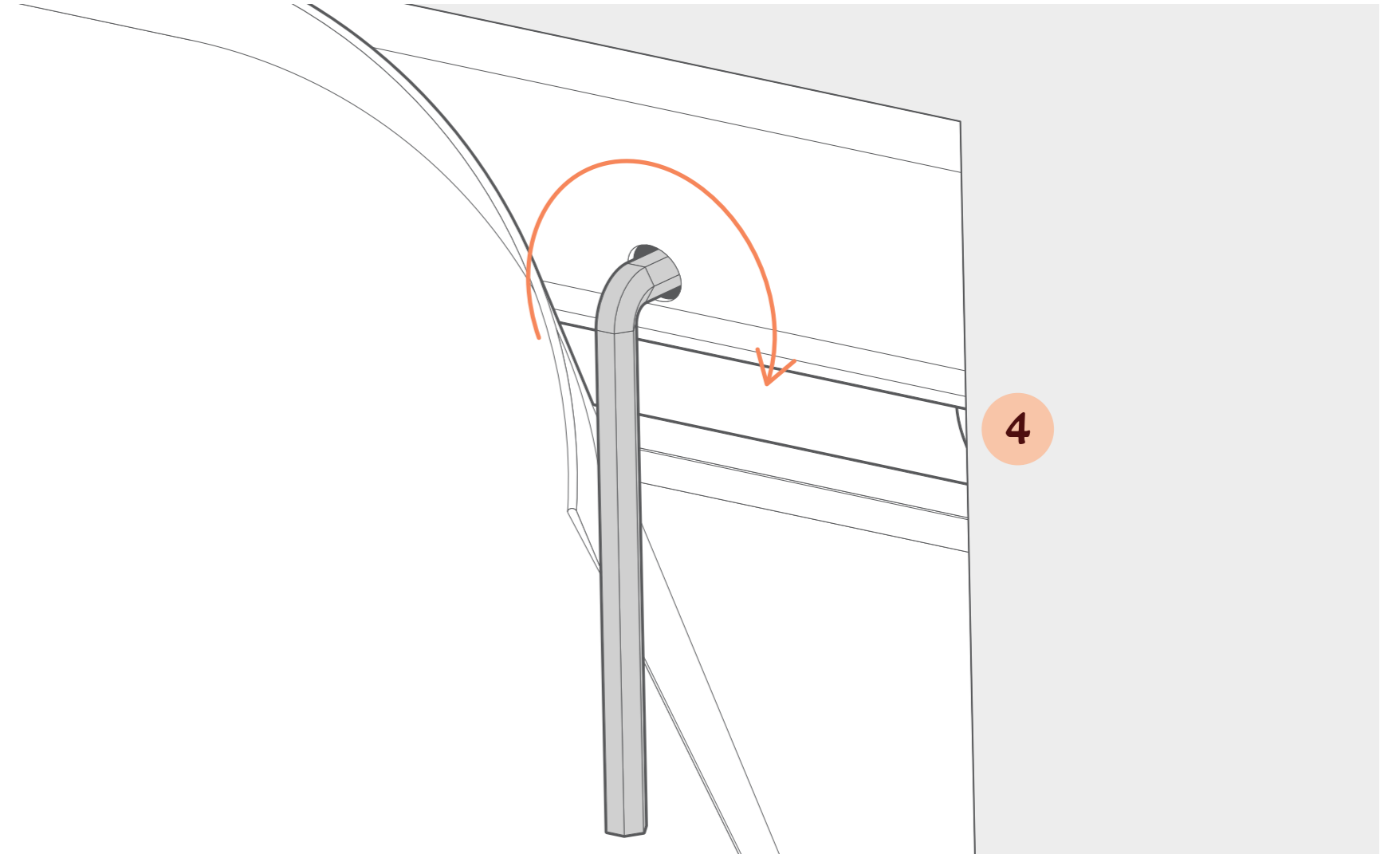


Raise the other end and straighten the blind, making sure it's level (2).

## Section 2 *Installing the Blind*

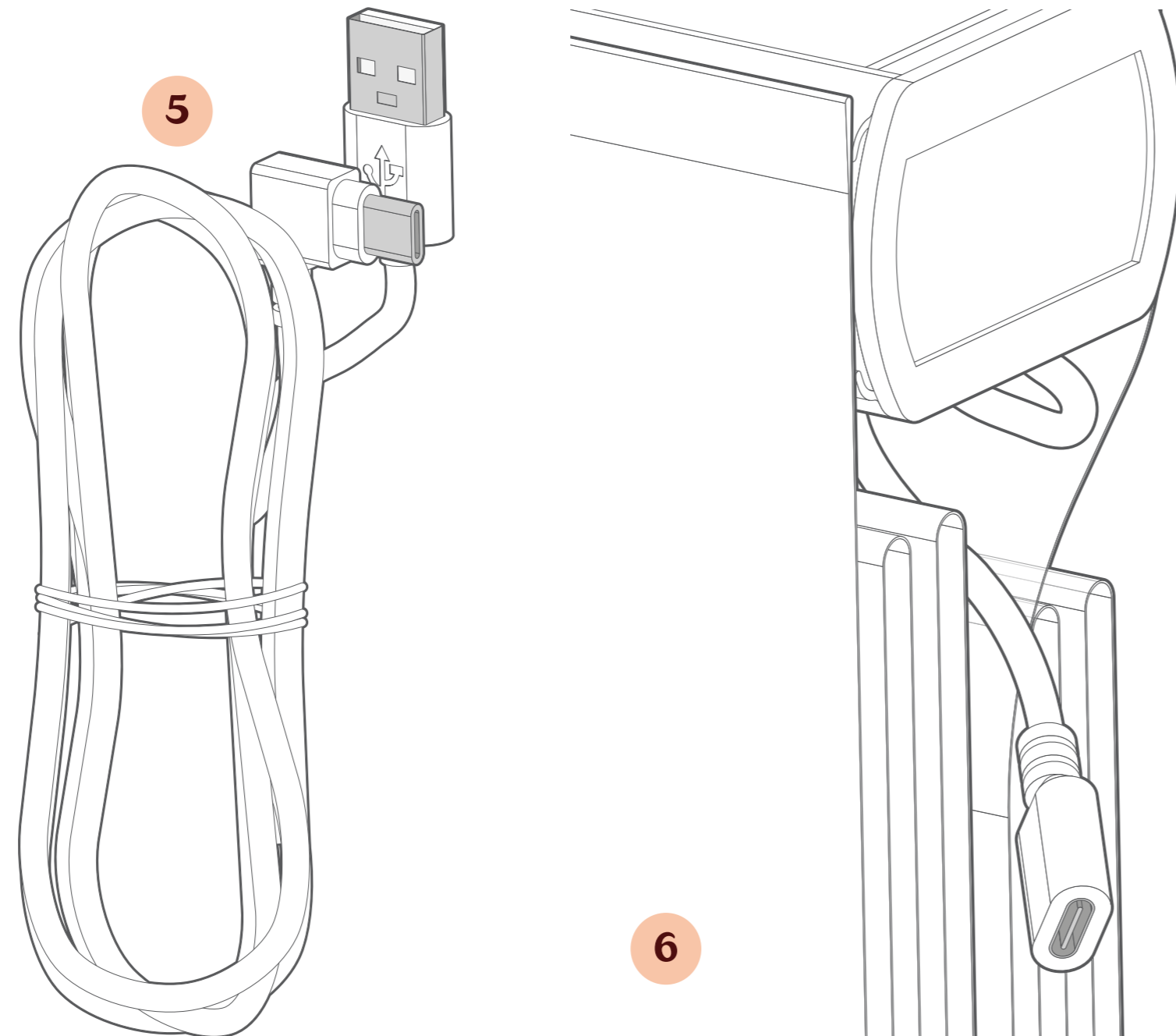


On the ClickLock end of the blind, peel the front fabric away to expose the tightening slot in the headrail (3).



Use the supplied Allen key to lock the ClickLock mechanism (4). Turn the key clockwise until you feel the mechanism clicking as you turn.

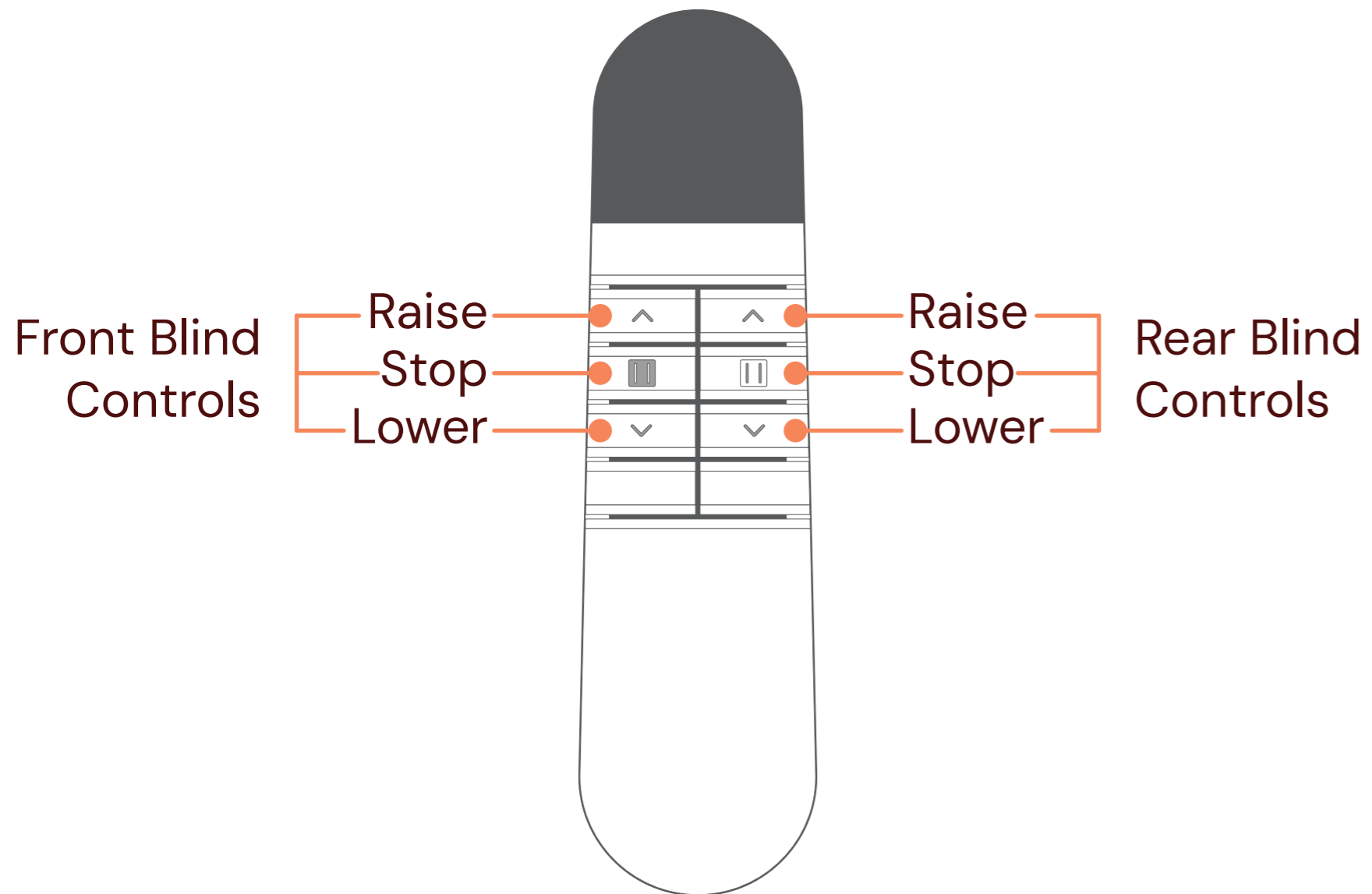
## Section 2 *Installing the Blind*



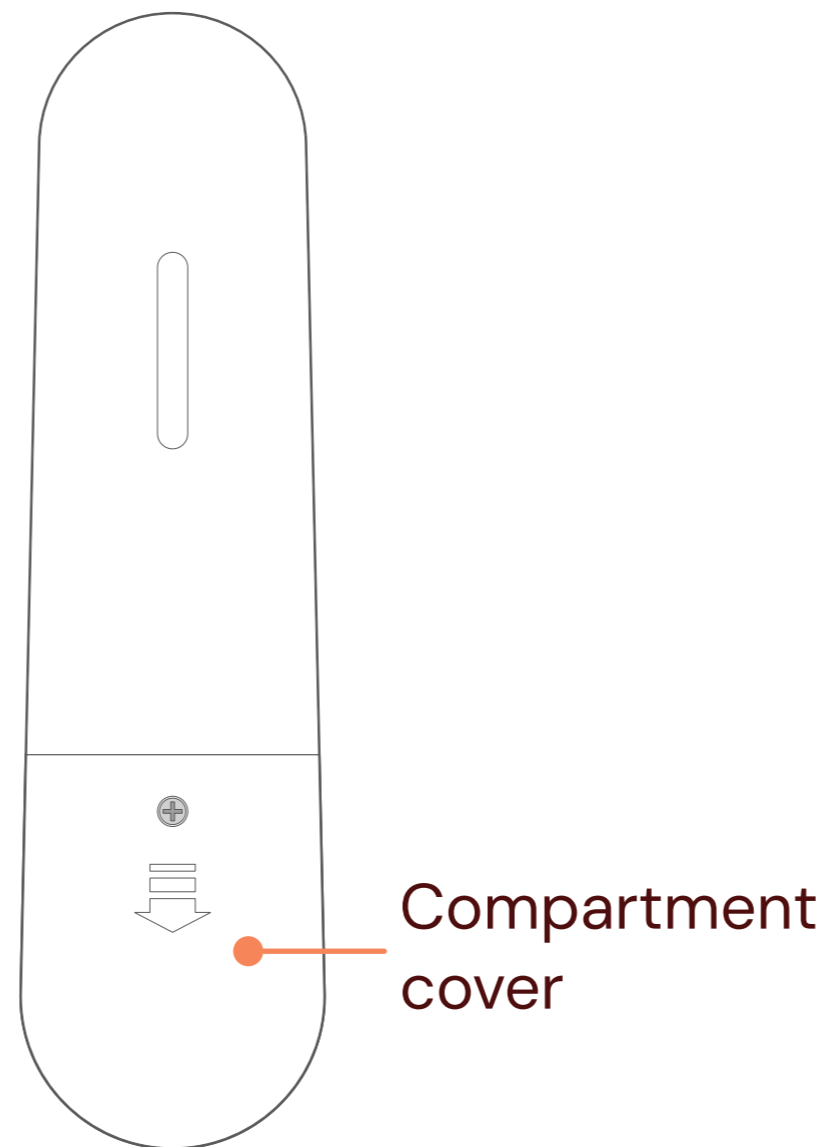
We'd recommend charging the motor's built-in battery for around 2.5 hours before use, this should bring the battery up to full charge.

Plug the supplied USB-C charger (5) into the battery's port cable (6). The charger cable can be plugged into any standard USB-A charger plug.

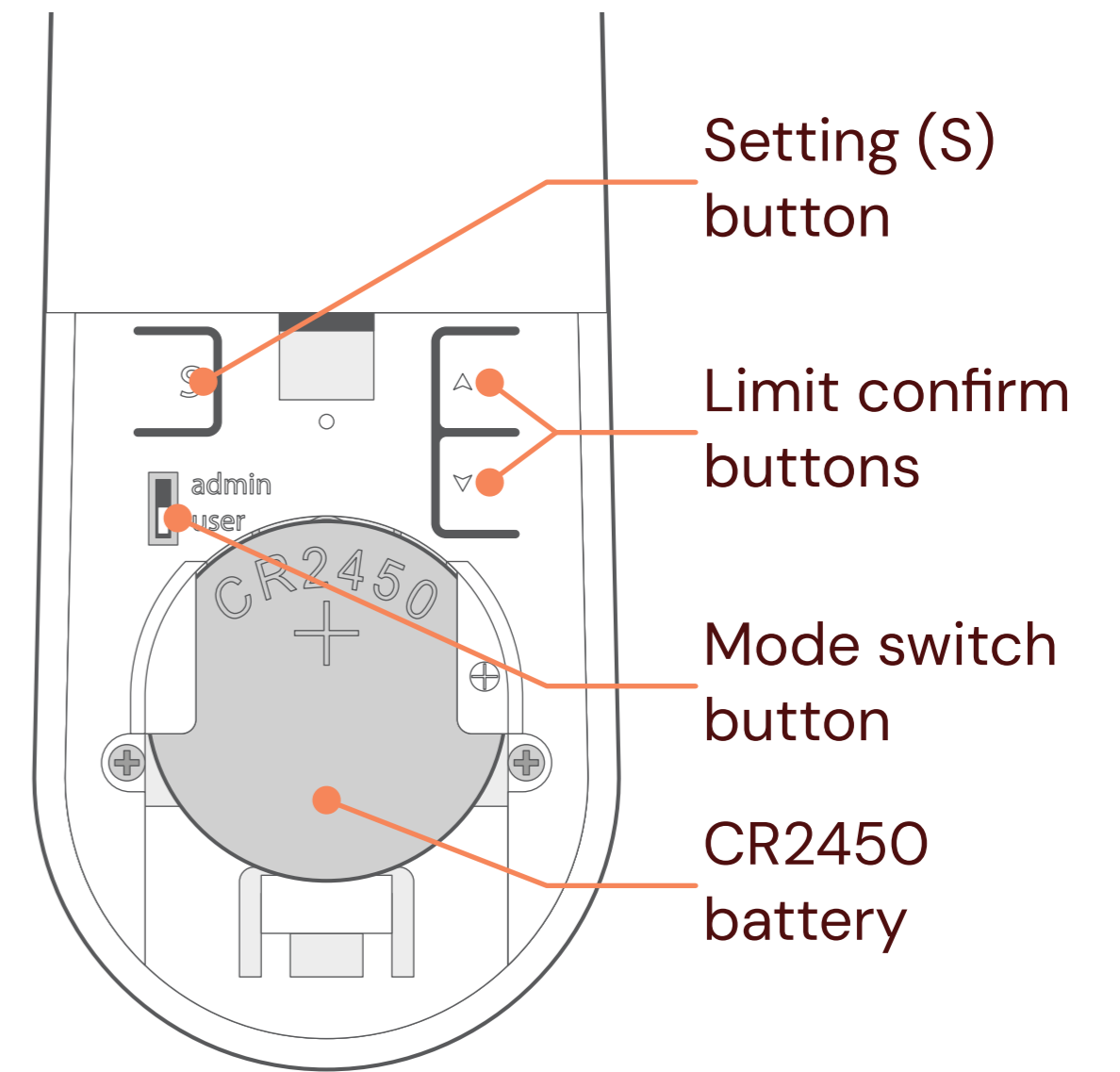
### Remote Control (front)



### Remote Control (back)



### Remote Control (rear compartment open)



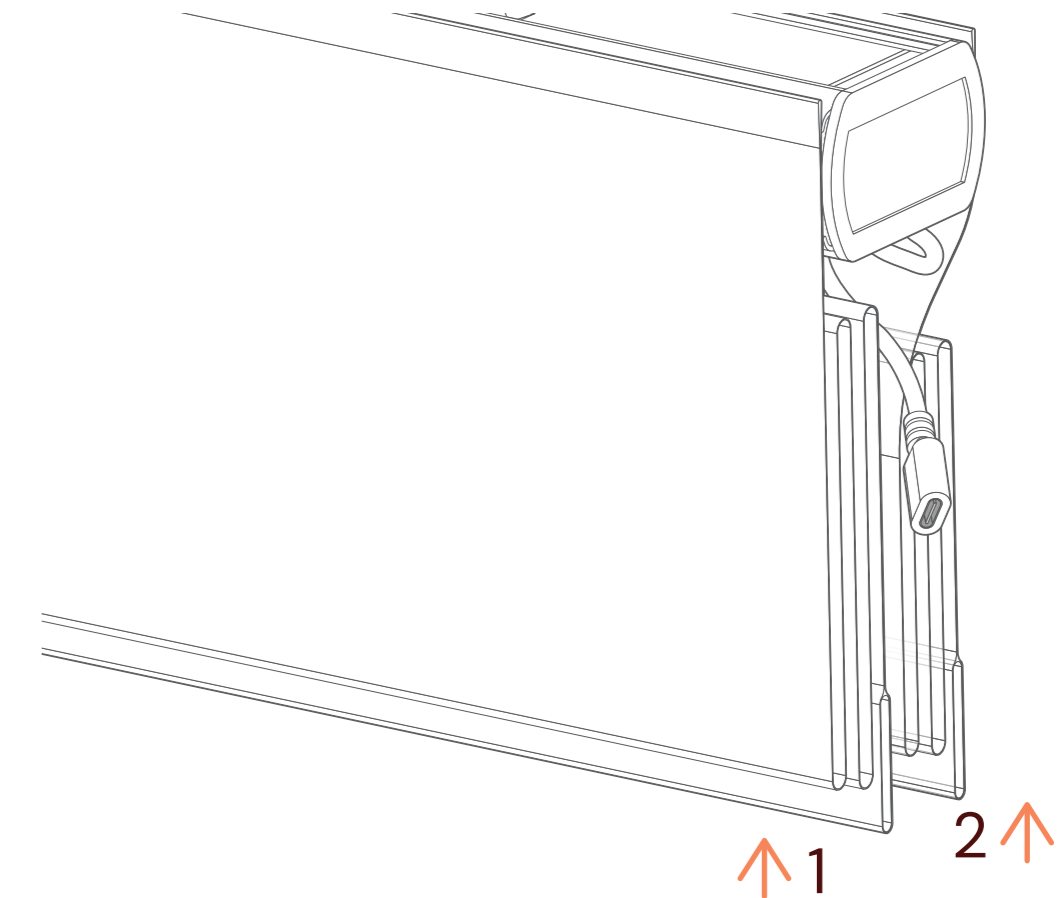
## Section 4 *The Remote Control* - Default Settings

Each Double Roman Blind will have its own remote control, which operates both its front and back fabrics. The remote control that comes with each blind will already be paired to that blind and ready to use once the remote's battery is inserted. The 'fully raised' and 'fully lowered' positions of each blind are also pre-set to their optimum settings.

Whilst remotes can be manually paired and unpaired, and the upper and lower 'limit' positions can be changed, we'd recommend leaving these settings at their defaults.

If you do wish to change them, there are more details on the following pages.

But, if you're happy to leave everything as it is, then your installation is complete – congratulations! Your beautiful new Double Roman Blind is ready to enjoy...






Note that if you need to fully raise both blinds, it's important that you **fully raise the front fabric before raising the rear fabric.**

**Do the following for the front blind first (controls on left side of remote), then when you're done, repeat for the rear blind.**






Start by removing the compartment cover from the back of the remote, and pushing the mode switch button to 'admin'. Switch back to 'user' when the below steps are completed.

### Set the upper limit first:

1. Press the  button to toggle between 'step' movement and fluid movement.
2. Raise the blind until it reaches the desired position. Press the  button once to stop.
3. On the back of the remote, press and hold the  button for several seconds until the blind 'jogs' up and down a couple of times. The upper limit position is now set.

### Then set the lower limit:

4. Press the  button to toggle between 'step' movement and fluid movement.
5. Lower the blind until it reaches the desired position. Press the  button once to stop.
6. On the back of the remote, press and hold the  button for several seconds until the blind 'jogs' up and down a couple of times. The lower limit position is now set.

## Section 4 *The Remote Control* - Deleting or Pairing a Remote Control



Start by removing the compartment cover from the back of the remote, and pushing the mode switch button to 'admin'. Switch back to 'user' when the below steps are completed.

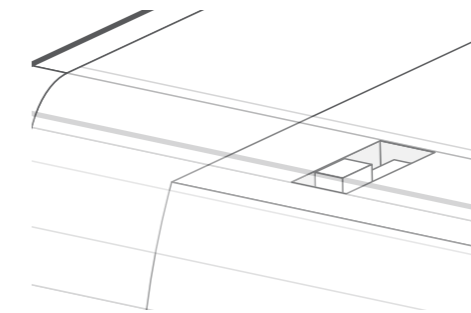
### Deleting a remote control:



**Press x 5**

With the remote in 'admin' mode, simply press the S button 5 times consecutively. The blind will 'jog' up and down briefly. The remote is now deleted from that blind.

### Pairing a remote control:



**Hold 2 seconds**

Press and hold the setting button on the blind's motor for 2 seconds, until the blind jogs up and down briefly. With the remote you want to add in 'admin' mode, press and hold the S button for 2 seconds until the blind jogs again. The remote is now paired.

Recycle your electrical and electronic devices free at your local recycling centre. To find your nearest centre, visit the [Recycle More](#) website and type in your postcode.



Blinds2Go Ltd is part of the DTS scheme.