

Turn your phone or tablet

Our guides are best viewed in landscape if you're viewing on your phone or tablet.

Designed for *DIY*

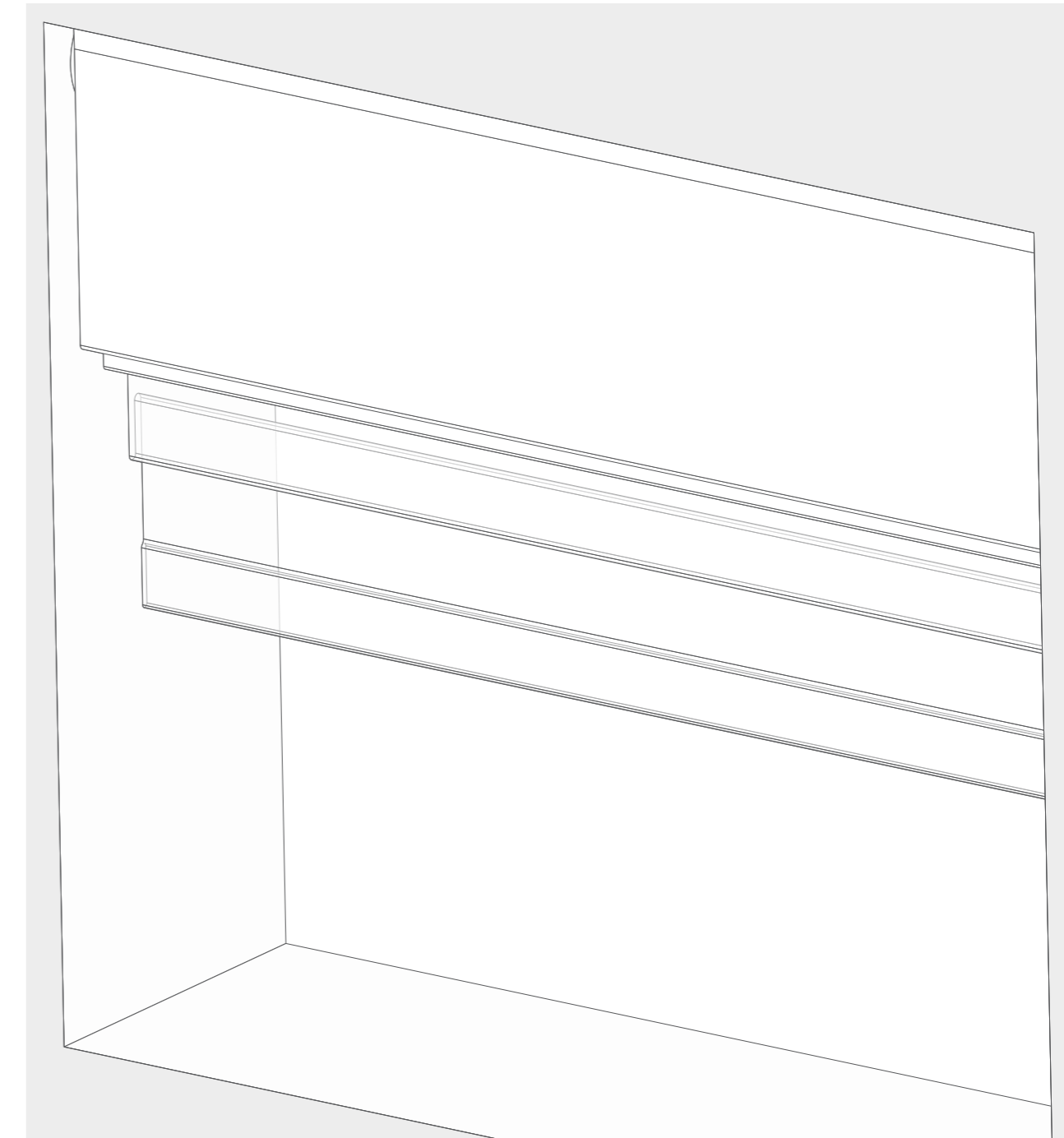
Our Electric Double Roman Blinds are designed to be installed by you, without specialist fitters, even if you don't have much DIY experience.

Please read each page of this guide carefully during installation, following along one step at a time.

Did you *upgrade*?

If you chose our no-drill ClickLock upgrade, use this link to find your guide:

ClickLock No Drill Upgrade

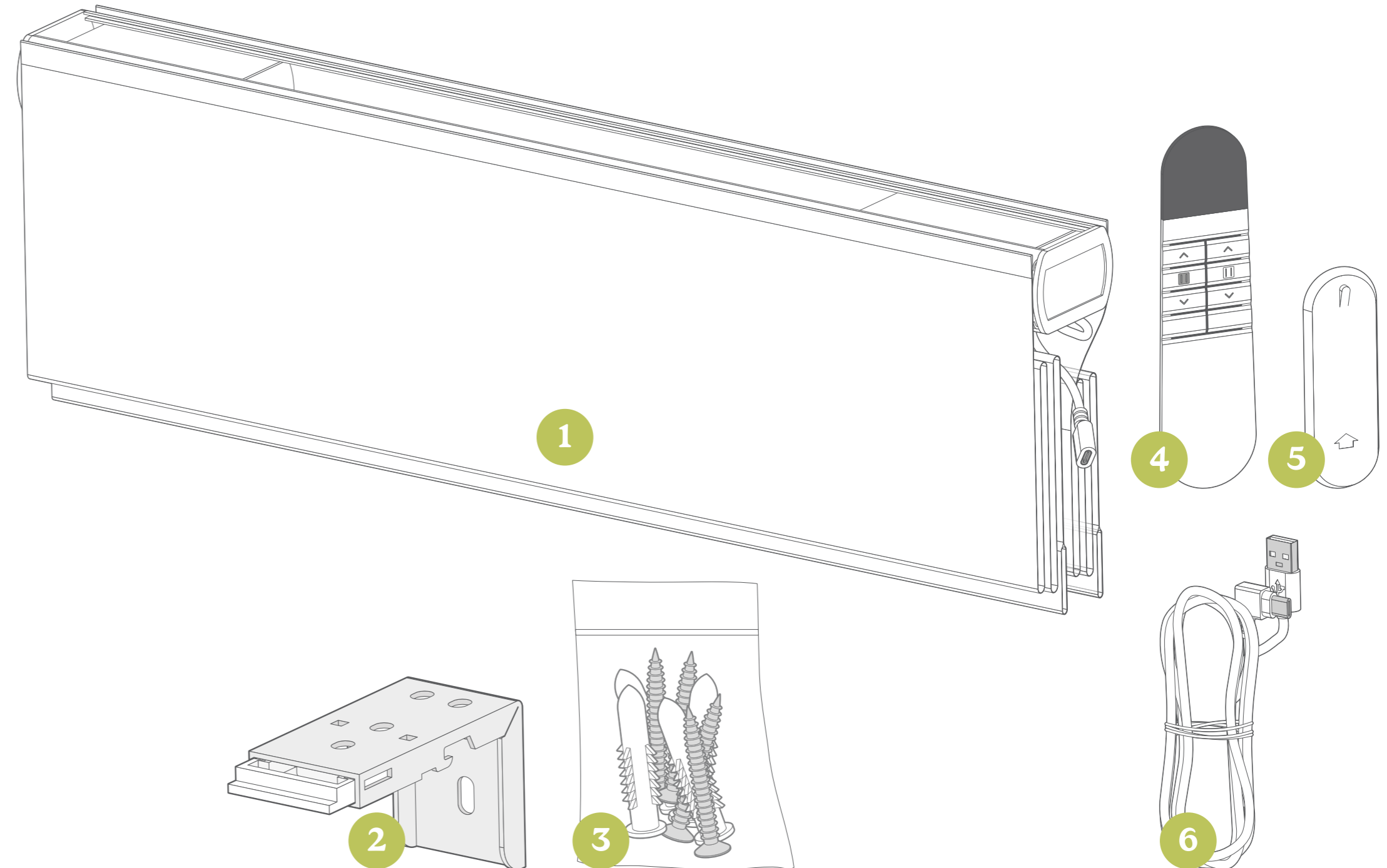


Tools required for this install:

- ✓ Handheld drill
- ✓ 4mm masonry drill bit
- ✓ Phillips screwdriver / driver bit
- ✓ Mallet / hammer
- ✓ Pen / pencil

Parts included in your order:

- | | |
|-----------------------|---------------------|
| 1 Double Roman Blind | 4 Remote control |
| 2 Mounting brackets | 5 Remote wall mount |
| 3 Screws & wall plugs | 6 Charging cable |



Section 2 *Installing the Brackets*

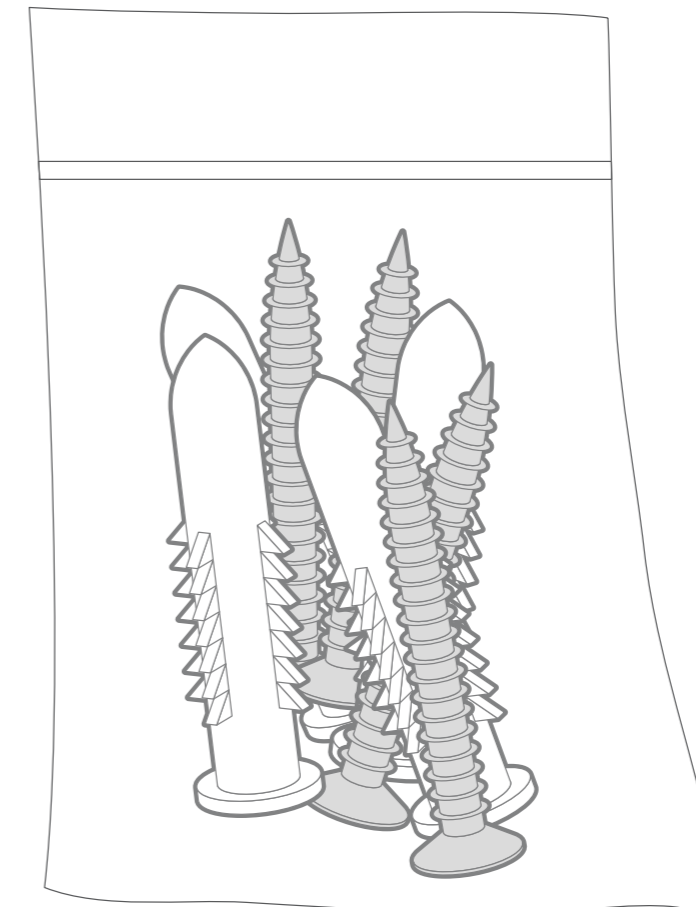
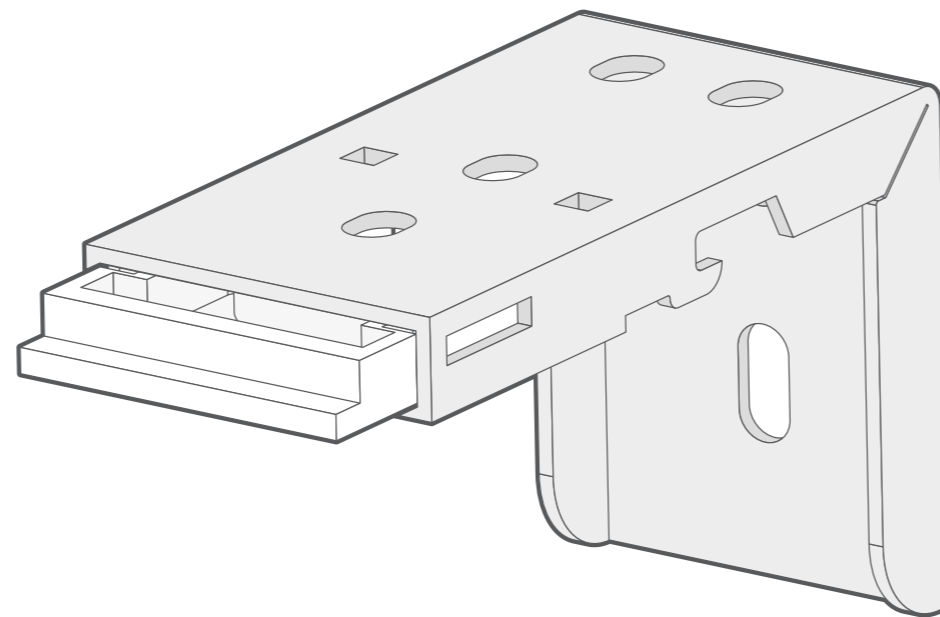
Tools required for this section:

- ✓ Handheld drill
- ✓ 4mm masonry drill bit
- ✓ Phillips screwdriver / driver bit
- ✓ Mallet / hammer
- ✓ Pen / pencil

Parts required for this section:

Mounting brackets

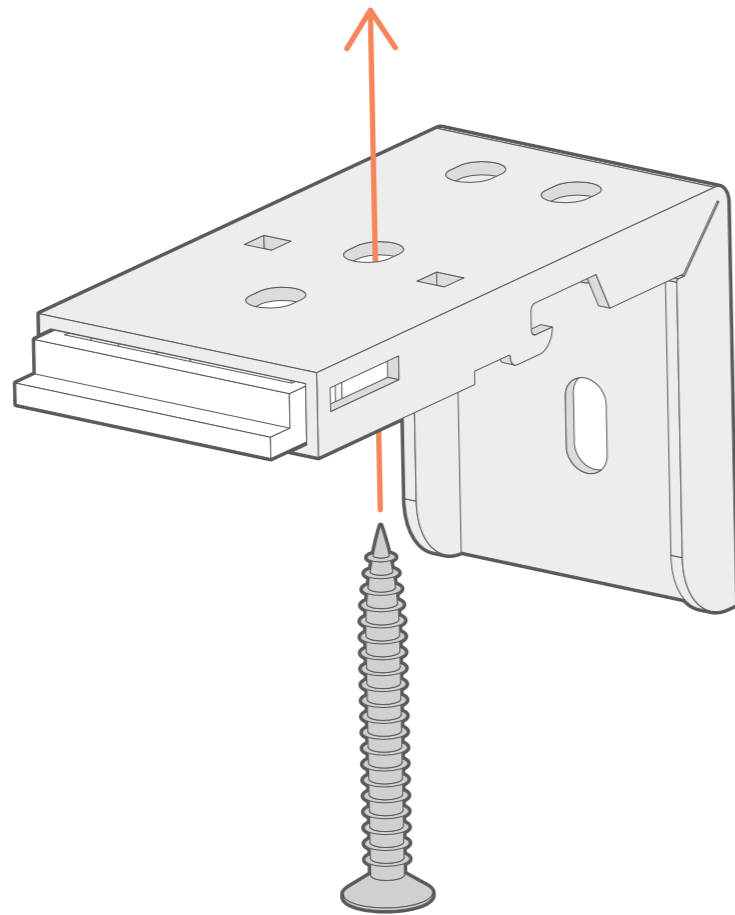
Screws & wall plugs



Section 2 *Installing the Brackets*

First, choose the method you'll be using to install your brackets:

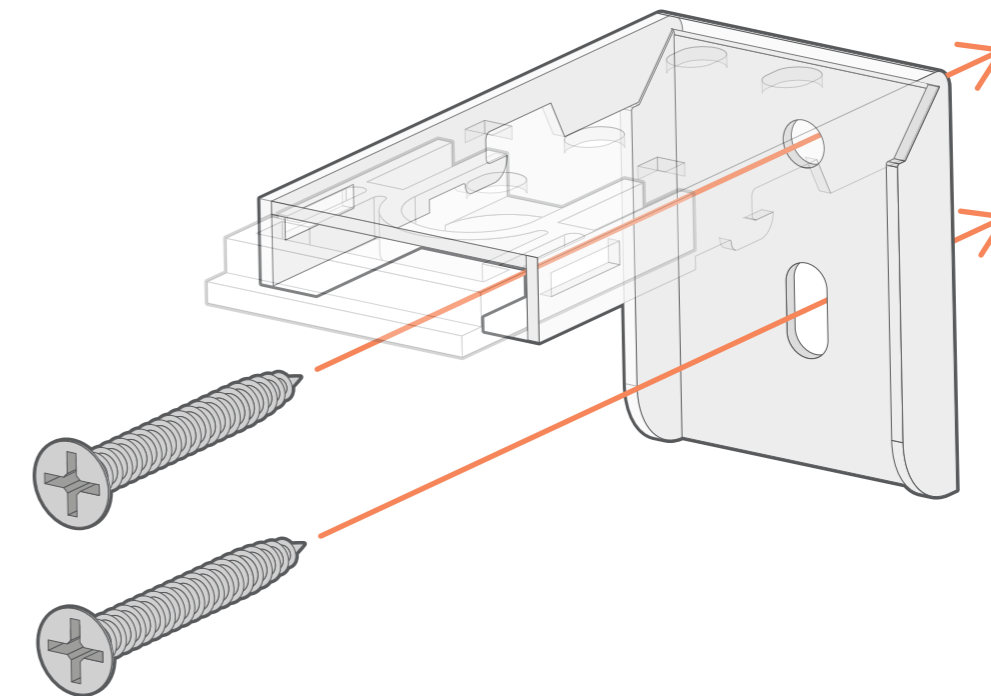
Inside the recess



Top fixing

Screw the brackets into the top of the recess.

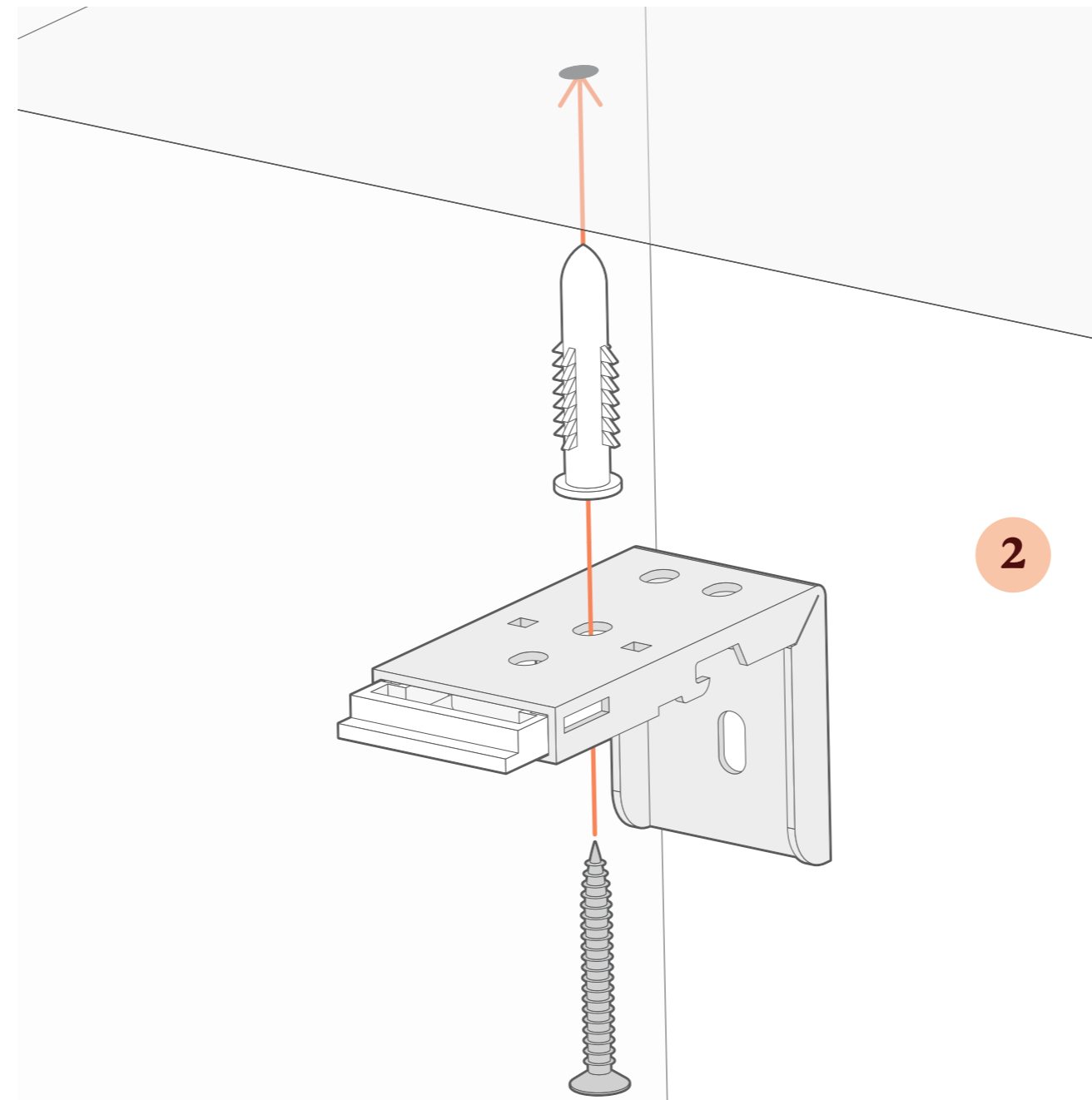
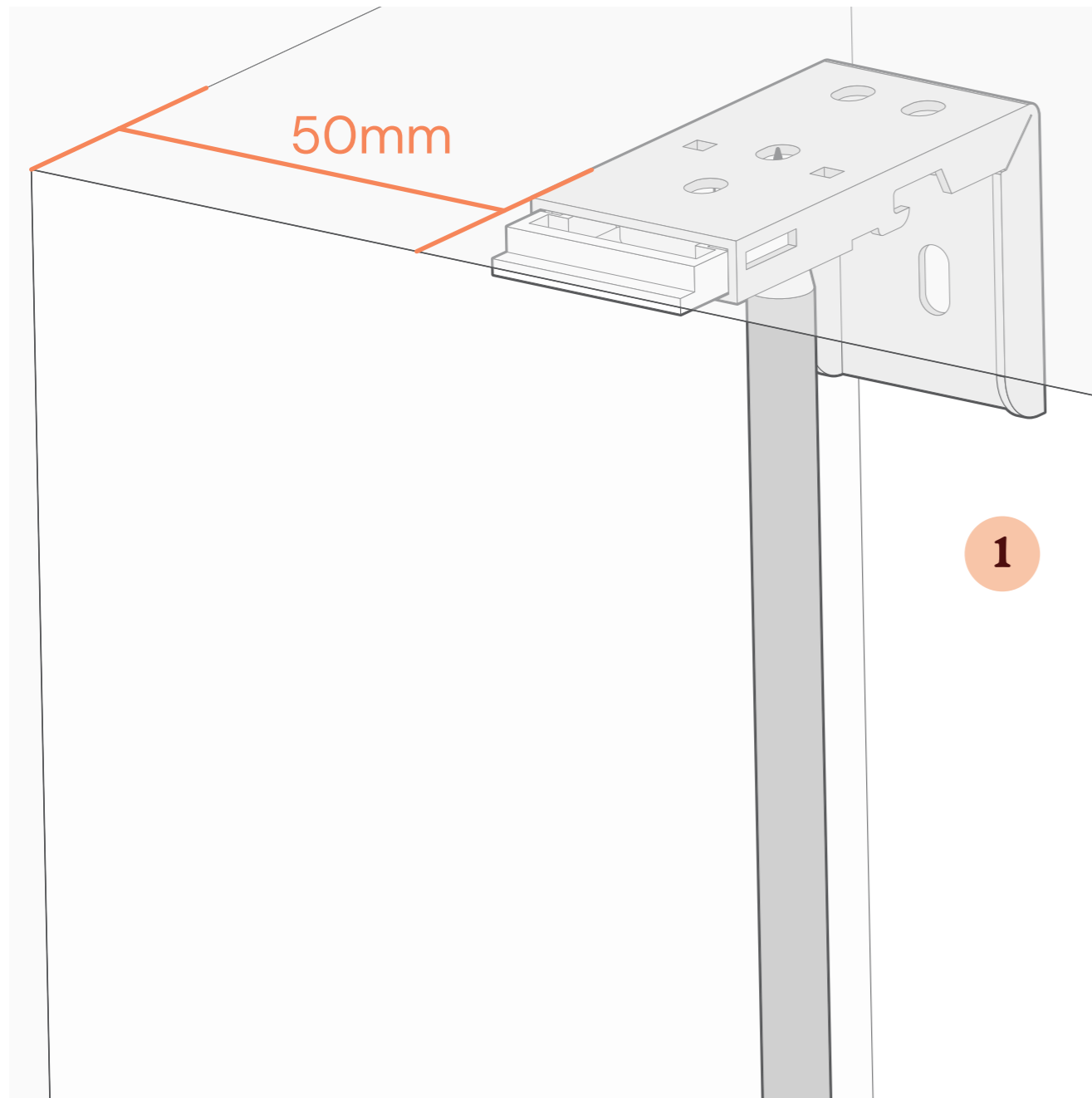
Outside the recess



Face fixing

Screw the brackets into the wall above the recess.

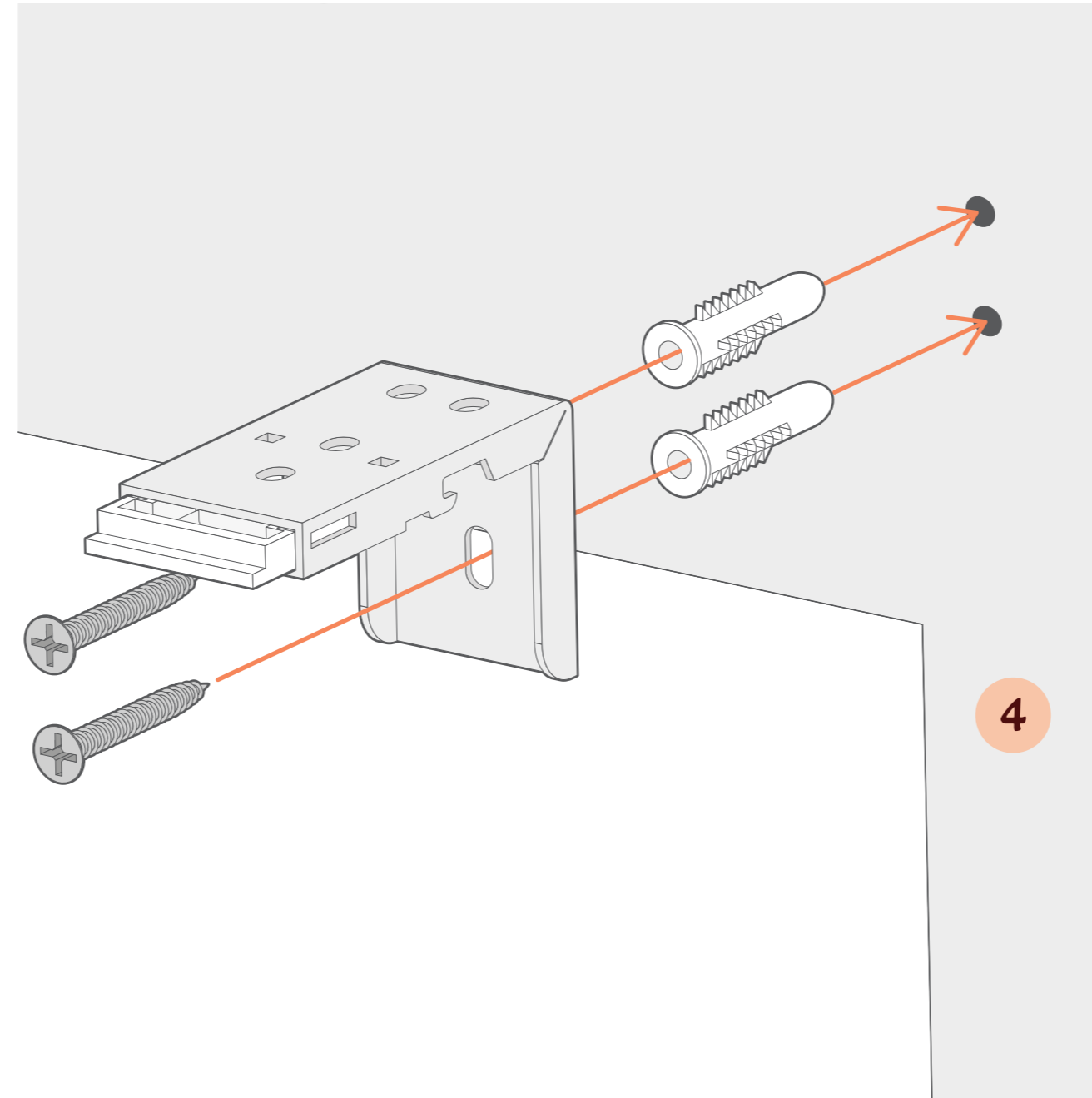
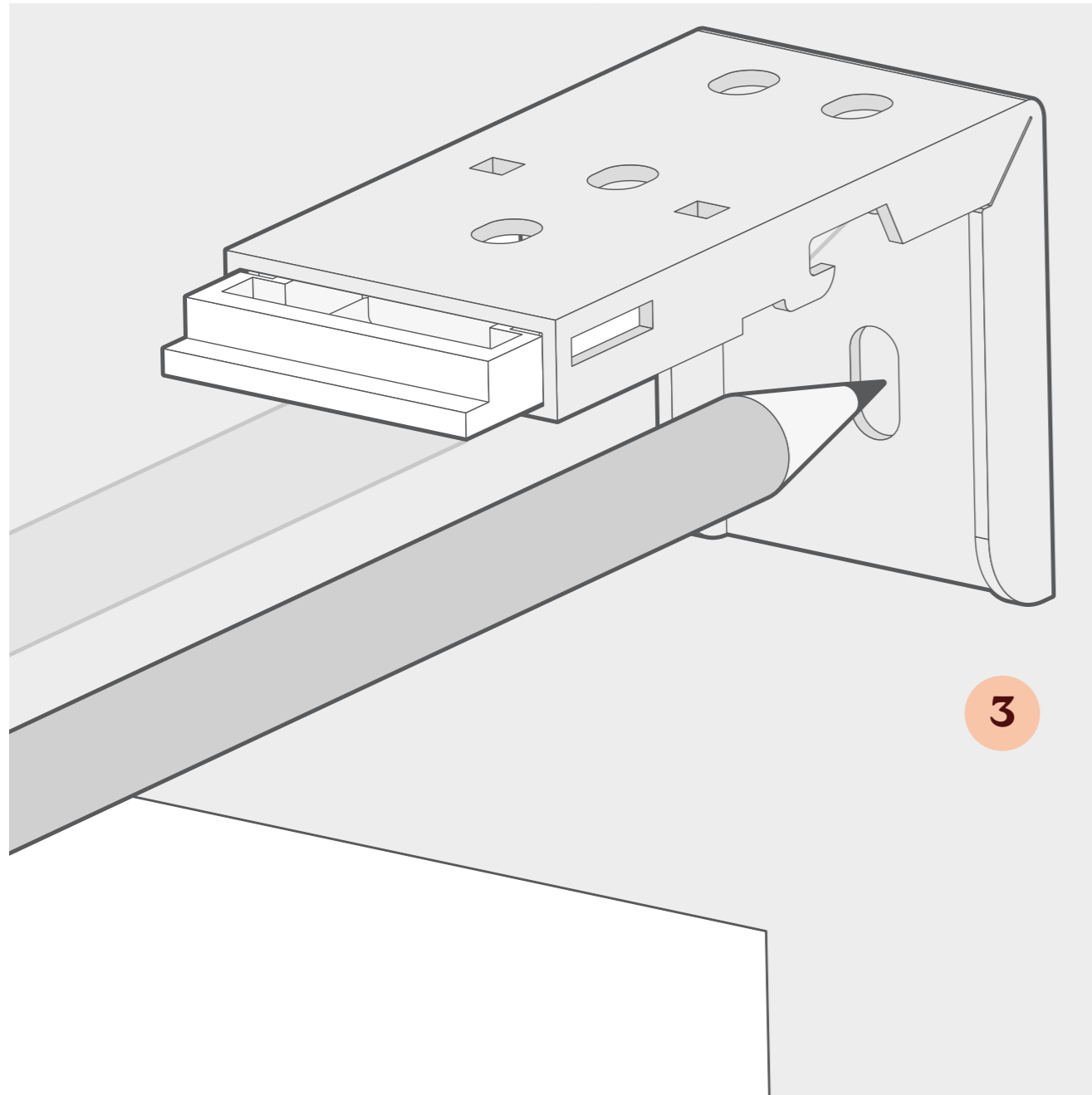
Section 2 *Installing the Brackets - Top-Fixing*



Hold the brackets in position up against the top of the recess and mark the locations of the screw holes on each bracket with a pen or pencil (1). The far left and right brackets should be at least 50mm in from the sides of the recess, with any additional brackets spaced evenly between them.

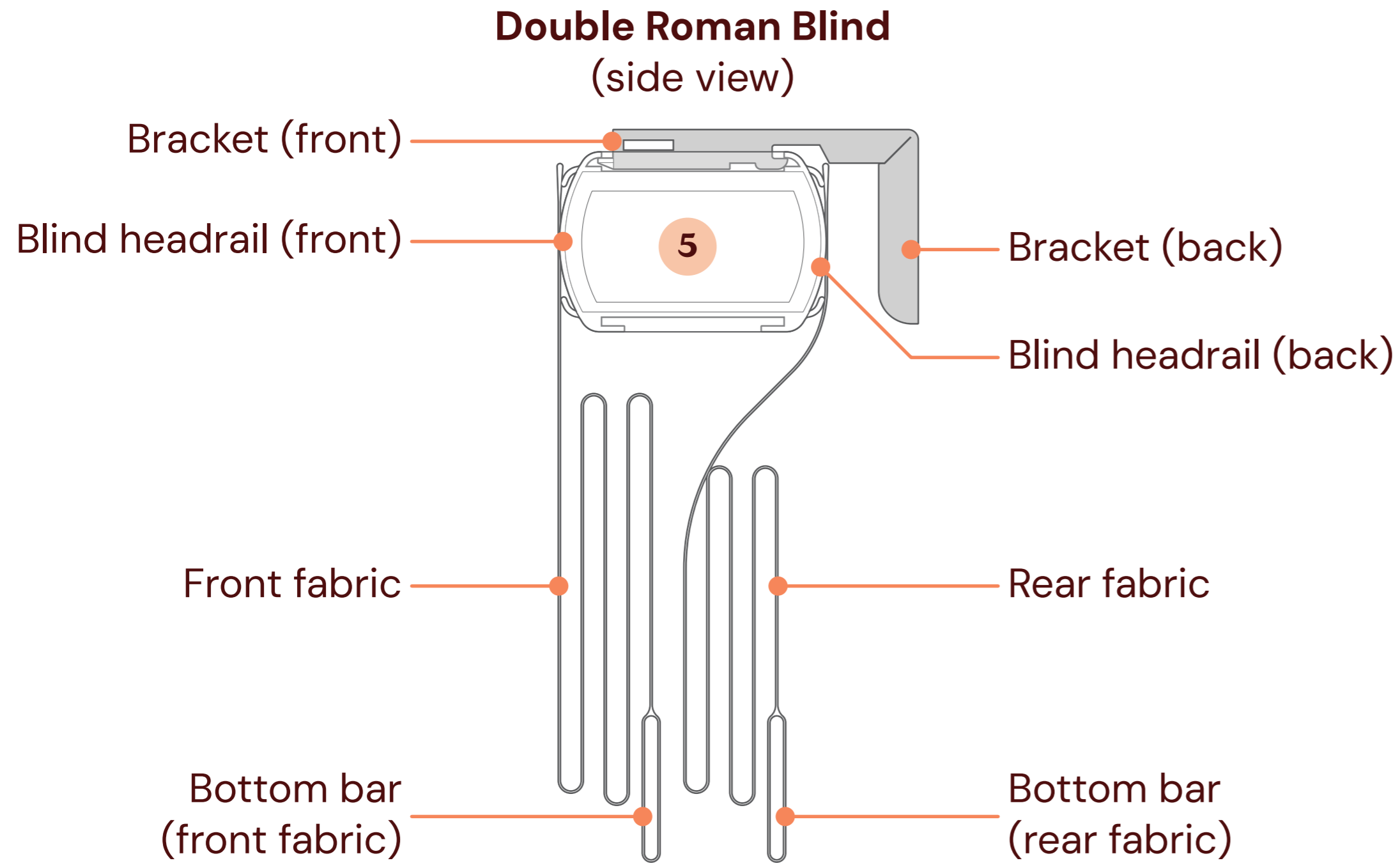
Drill a hole at each mark, then use the screws and wall plugs provided to secure the brackets in place (2).

Section 2 *Installing the Brackets - Face-Fixing*



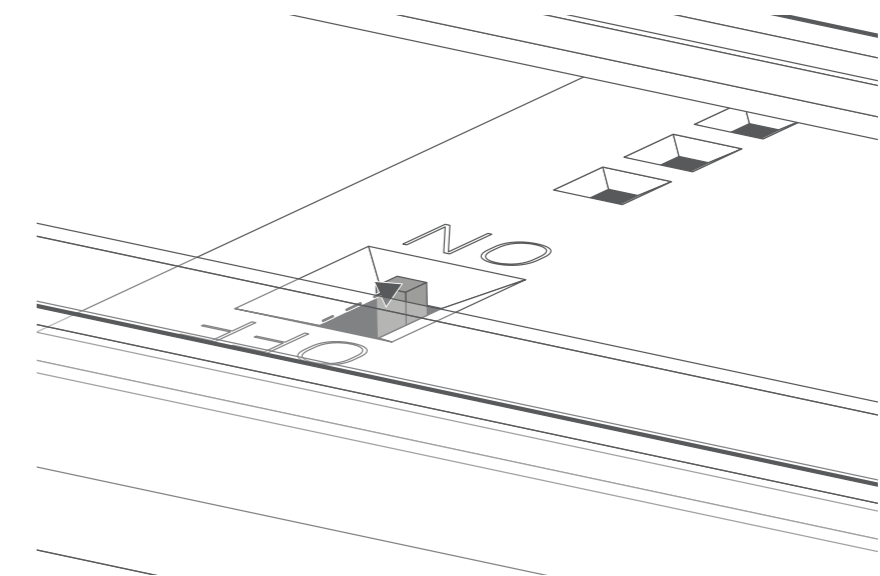
Hold your brackets up against the wall in the area you'll be fitting them. This should match where you took your measurements when you measured for exact fitting. Mark each of the rear screw holes with a pen or pencil (3).

Drill a hole for each mark, then use two screws and wall plugs per bracket to secure them (4).



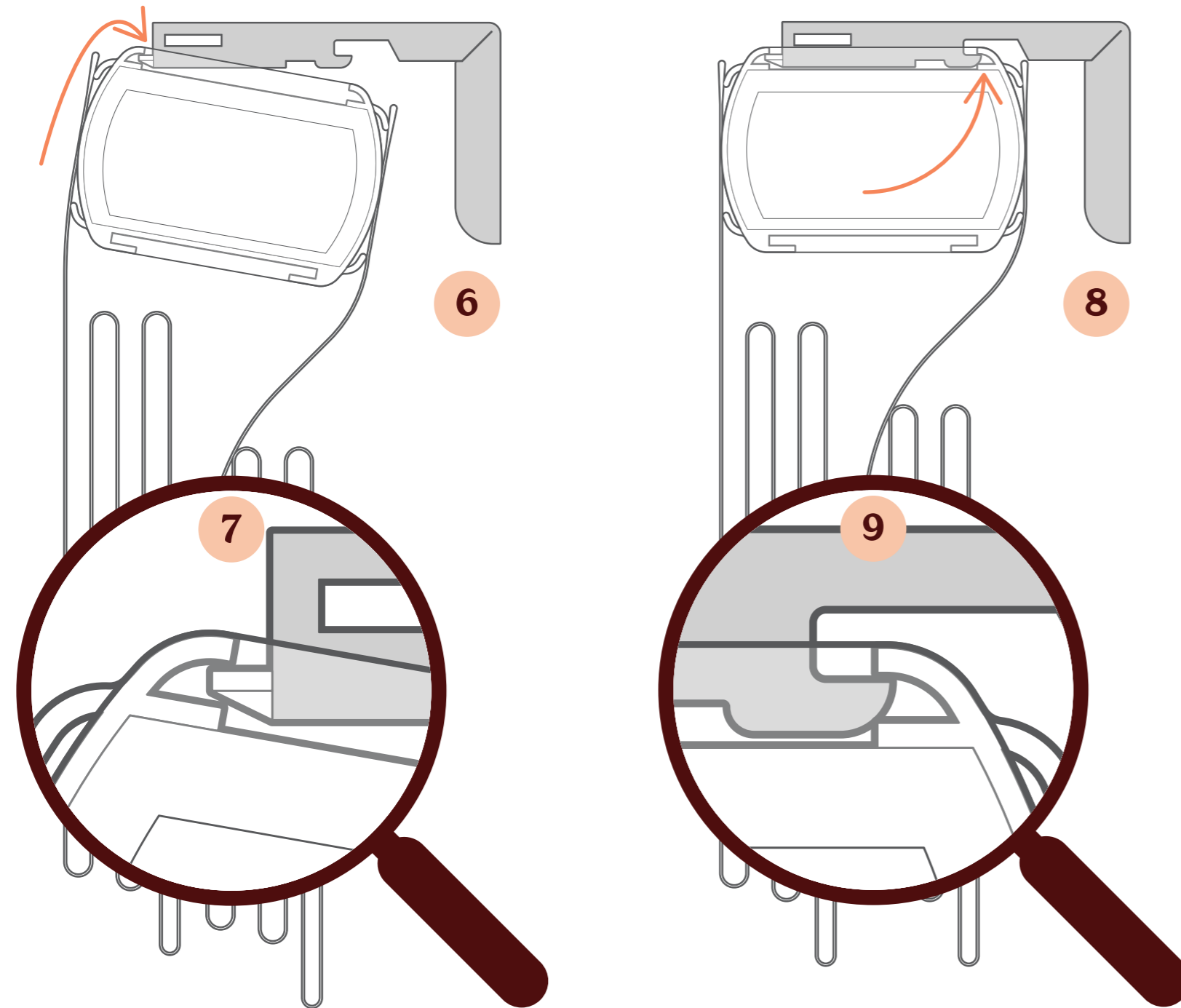
The next step is to slot the blind into its brackets (more details on the next page).

(5) Shows a labelled side-profile of the blind and relevant components.



Note that the motor is switched off by default, make sure that it is switched on before installing.

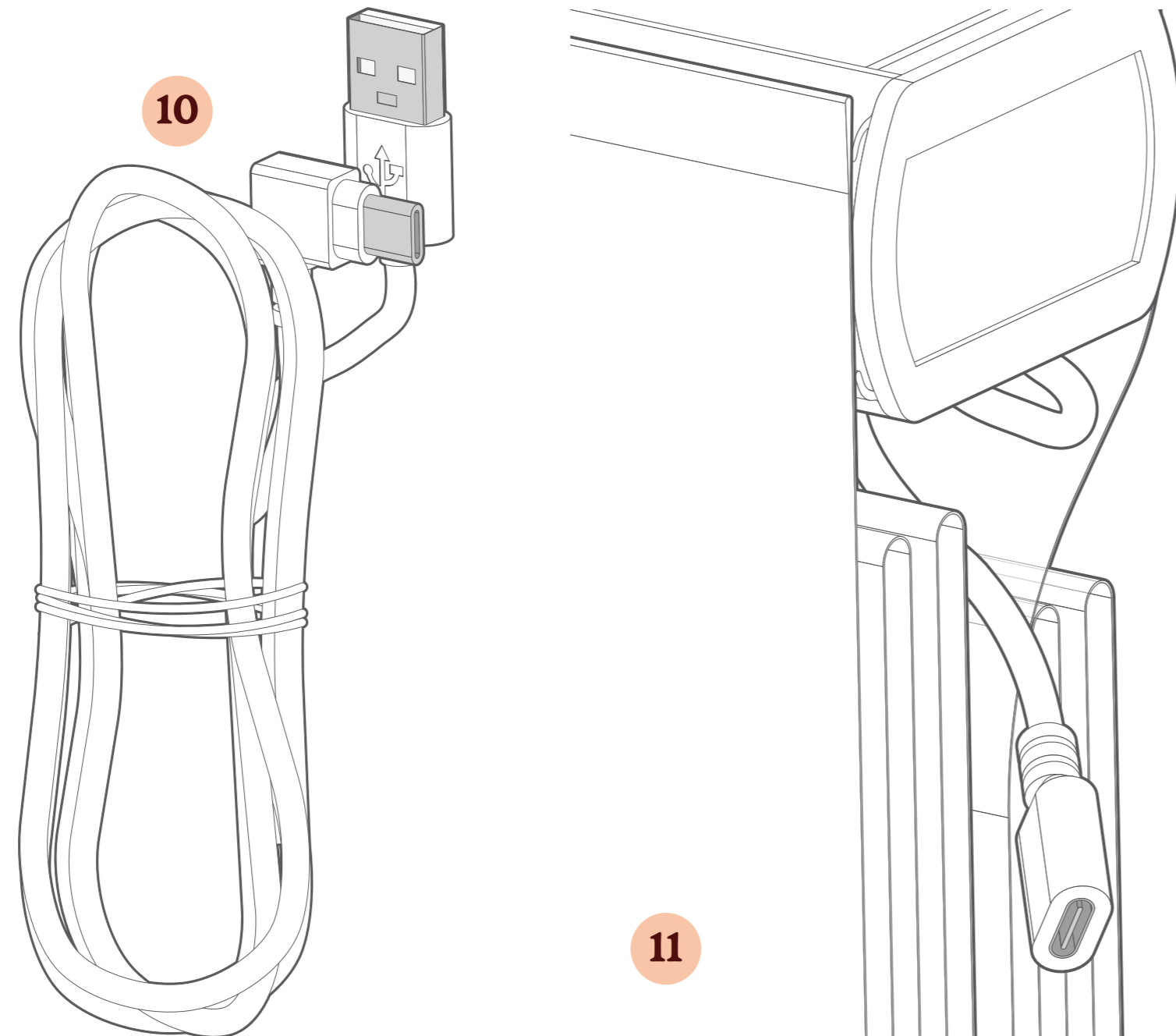
Section 3 *Installing the Blind*



A 'lip' is visible along the top of the blind's headrail, one at the front and one at the back. Hook the front lip over the front hook of the brackets (6 / 7).

Push back against the blind and raise the back of the headrail, pushing up until it snaps into place on the rear hook of the brackets (8 / 9).

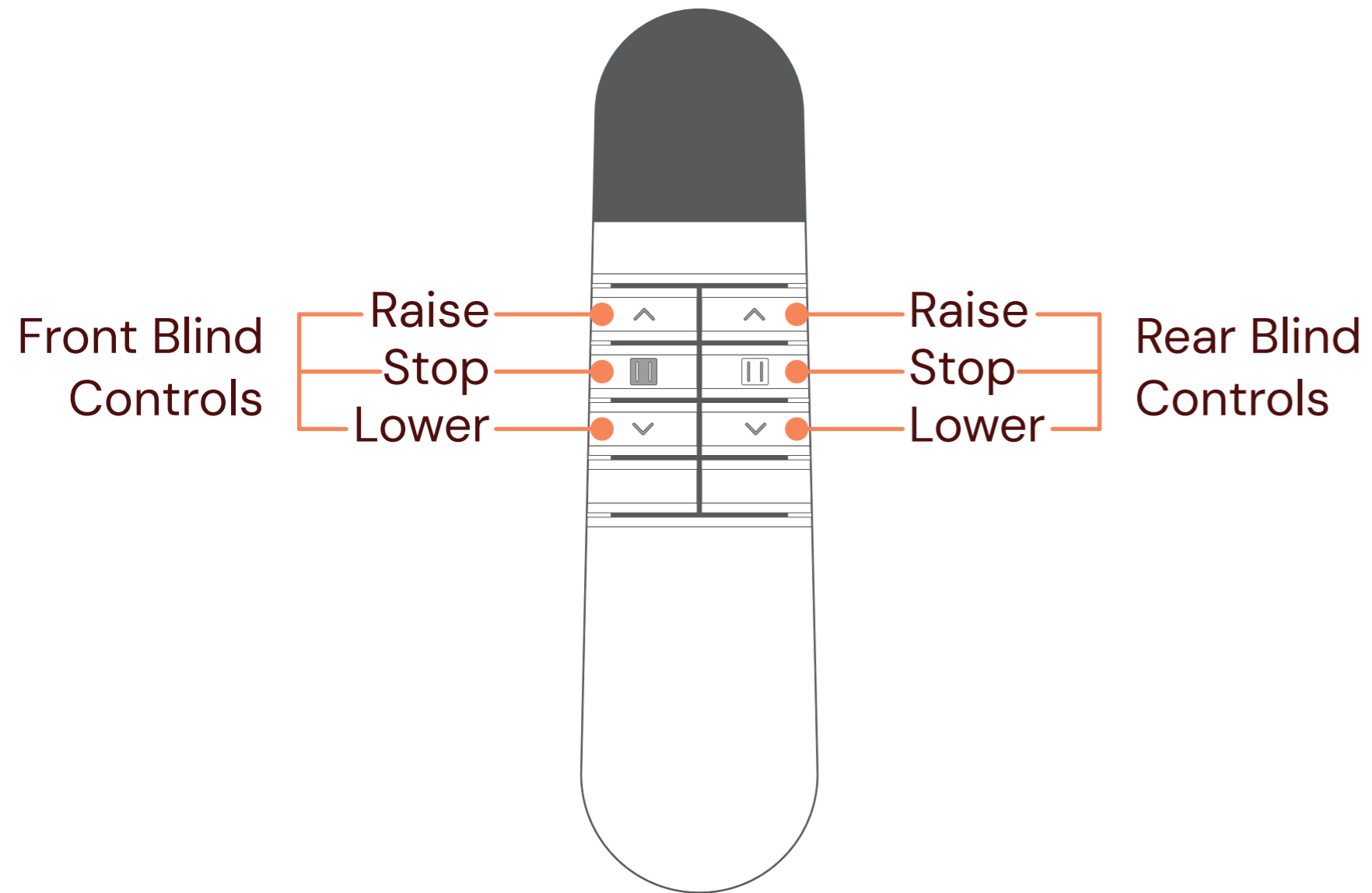
Section 3 *Installing the Blind*



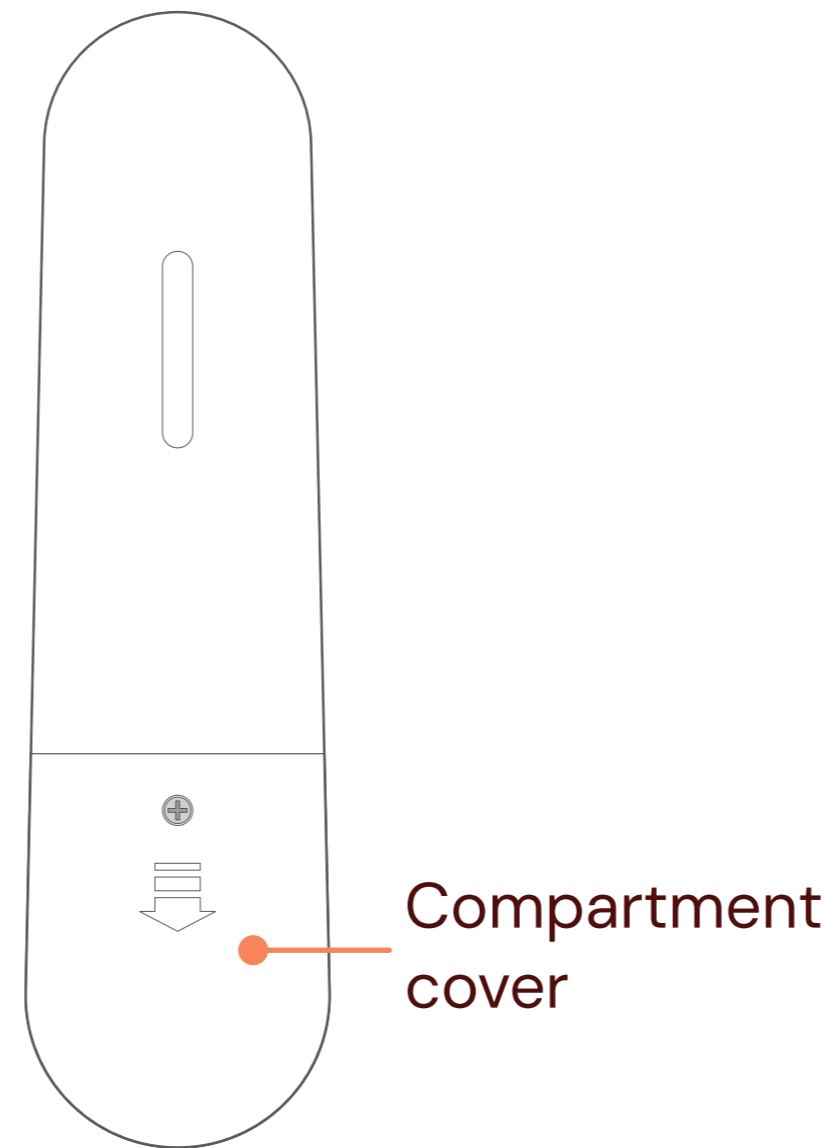
We'd recommend charging the motor's built-in battery for around 2.5 hours before use, this should bring the battery up to full charge.

Plug the supplied USB-C charger (10) into the battery's port cable (11). The charger cable can be plugged into any standard USB-A charger plug.

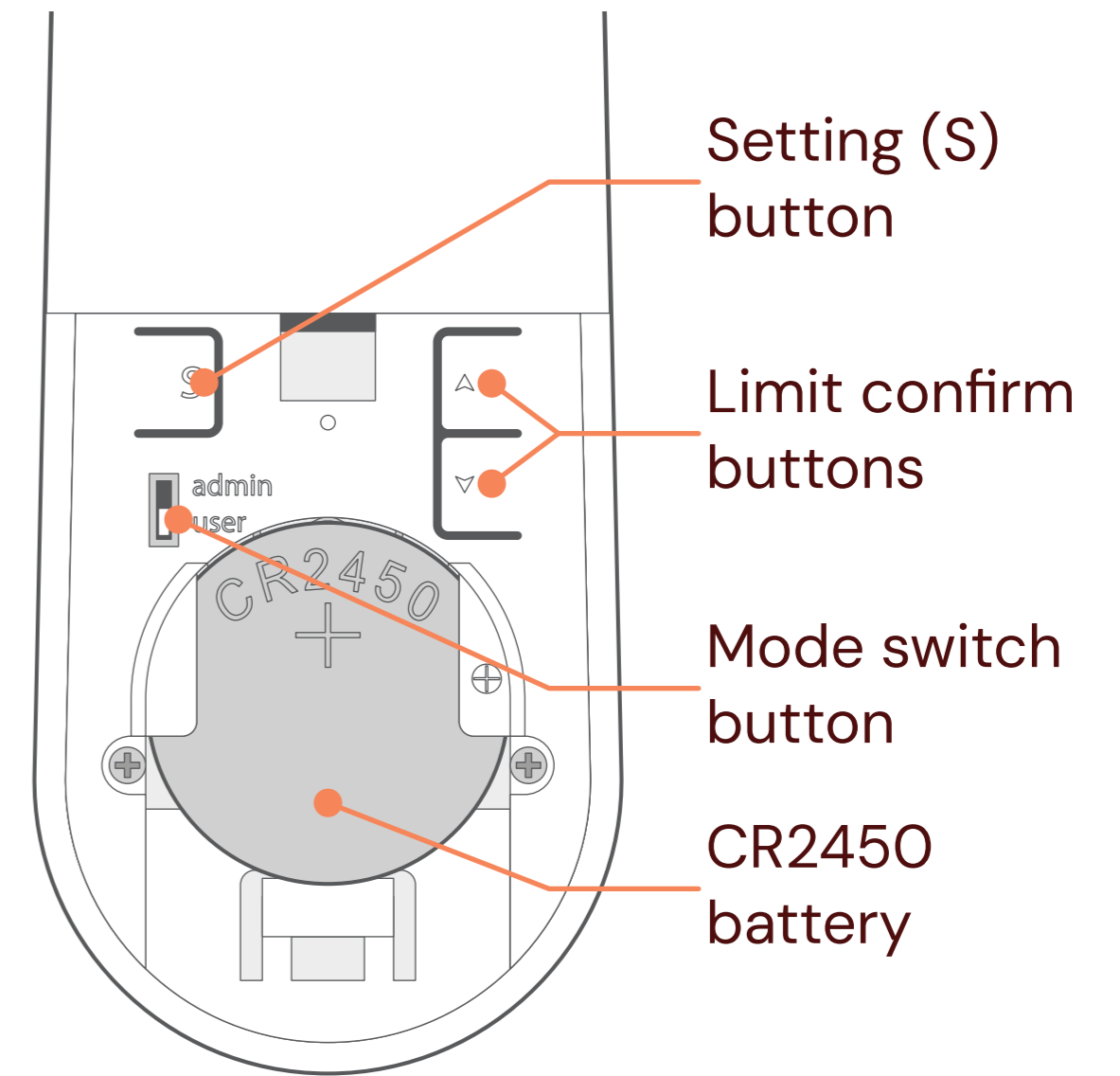
Remote Control (front)



Remote Control (back)



Remote Control (rear compartment open)



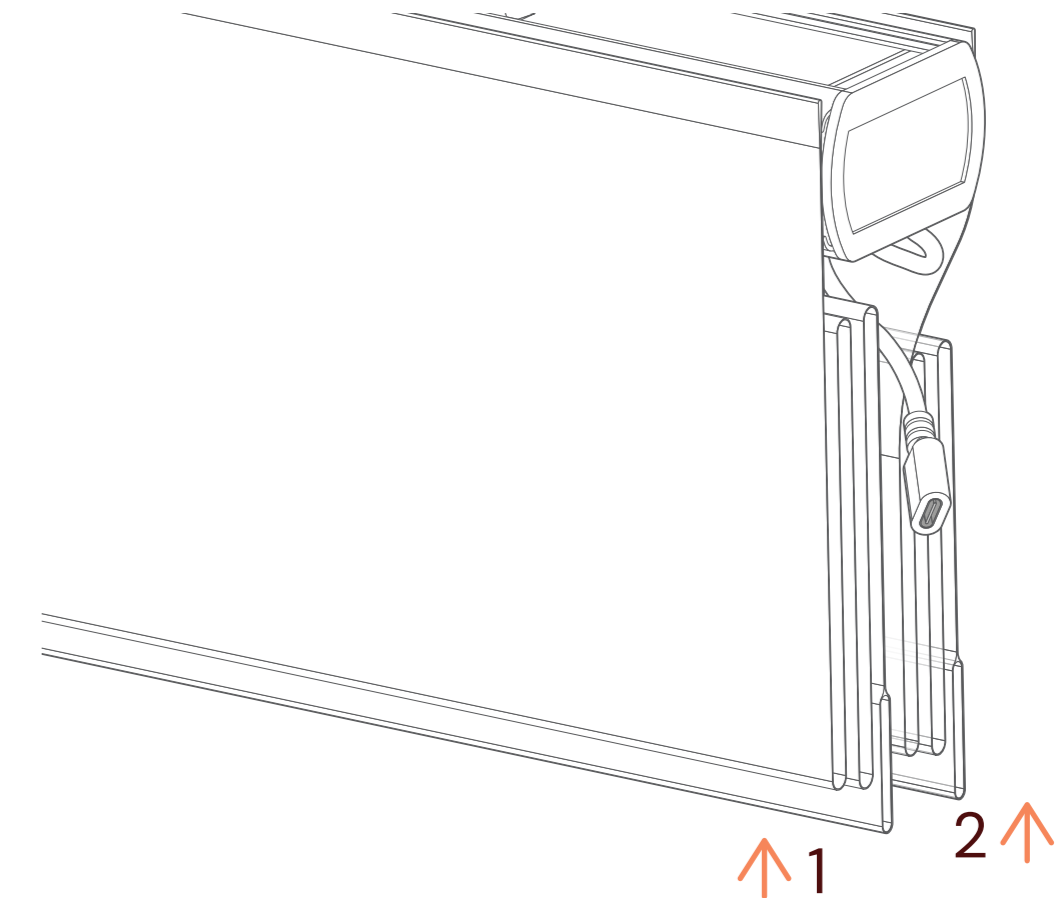
Section 4 *The Remote Control* - Default Settings

Each Double Roman Blind will have its own remote control, which operates both its front and back fabrics. The remote control that comes with each blind will already be paired to that blind and ready to use once the remote's battery is inserted. The 'fully raised' and 'fully lowered' positions of each blind are also pre-set to their optimum settings.

Whilst remotes can be manually paired and unpaired, and the upper and lower 'limit' positions can be changed, we'd recommend leaving these settings at their defaults.

If you do wish to change them, there are more details on the following pages.

But, if you're happy to leave everything as it is, then your installation is complete – congratulations! Your beautiful new Double Roman Blind is ready to enjoy...






Note that if you need to fully raise both blinds, it's important that you **fully raise the front fabric before raising the rear fabric.**

Do the following for the front blind first (controls on left side of remote), then when you're done, repeat for the rear blind.






Start by removing the compartment cover from the back of the remote, and pushing the mode switch button to 'admin'. Switch back to 'user' when the below steps are completed.

Set the upper limit first:

1. Press the  button to toggle between 'step' movement and fluid movement.
2. Raise the blind until it reaches the desired position. Press the  button once to stop.
3. On the back of the remote, press and hold the  button for several seconds until the blind 'jogs' up and down a couple of times. The upper limit position is now set.

Then set the lower limit:

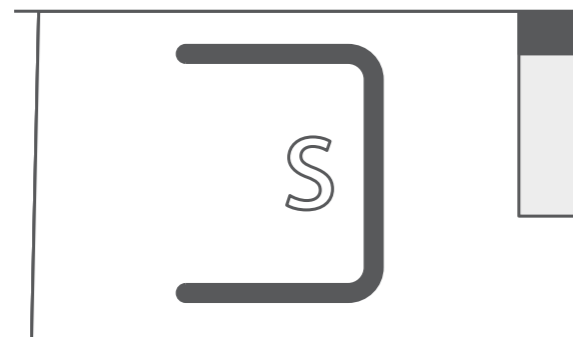
4. Press the  button to toggle between 'step' movement and fluid movement.
5. Lower the blind until it reaches the desired position. Press the  button once to stop.
6. On the back of the remote, press and hold the  button for several seconds until the blind 'jogs' up and down a couple of times. The lower limit position is now set.

Section 4 *The Remote Control* - Deleting or Pairing a Remote Control



Start by removing the compartment cover from the back of the remote, and pushing the mode switch button to 'admin'. Switch back to 'user' when the below steps are completed.

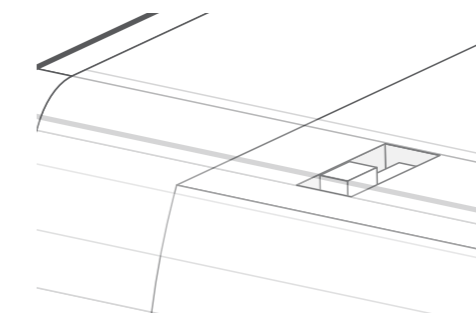
Deleting a remote control:



Press x 5

With the remote in 'admin' mode, simply press the S button 5 times consecutively. The blind will 'jog' up and down briefly. The remote is now deleted from that blind.

Pairing a remote control:



Hold 2 seconds

Press and hold the setting button on the blind's motor for 2 seconds, until the blind jogs up and down briefly. With the remote you want to add in 'admin' mode, press and hold the S button for 2 seconds until the blind jogs again. The remote is now paired.

Recycle your electrical and electronic devices free at your local recycling centre. To find your nearest centre, visit the [Recycle More](#) website and type in your postcode.



Blinds2Go Ltd is part of the DTS scheme.