

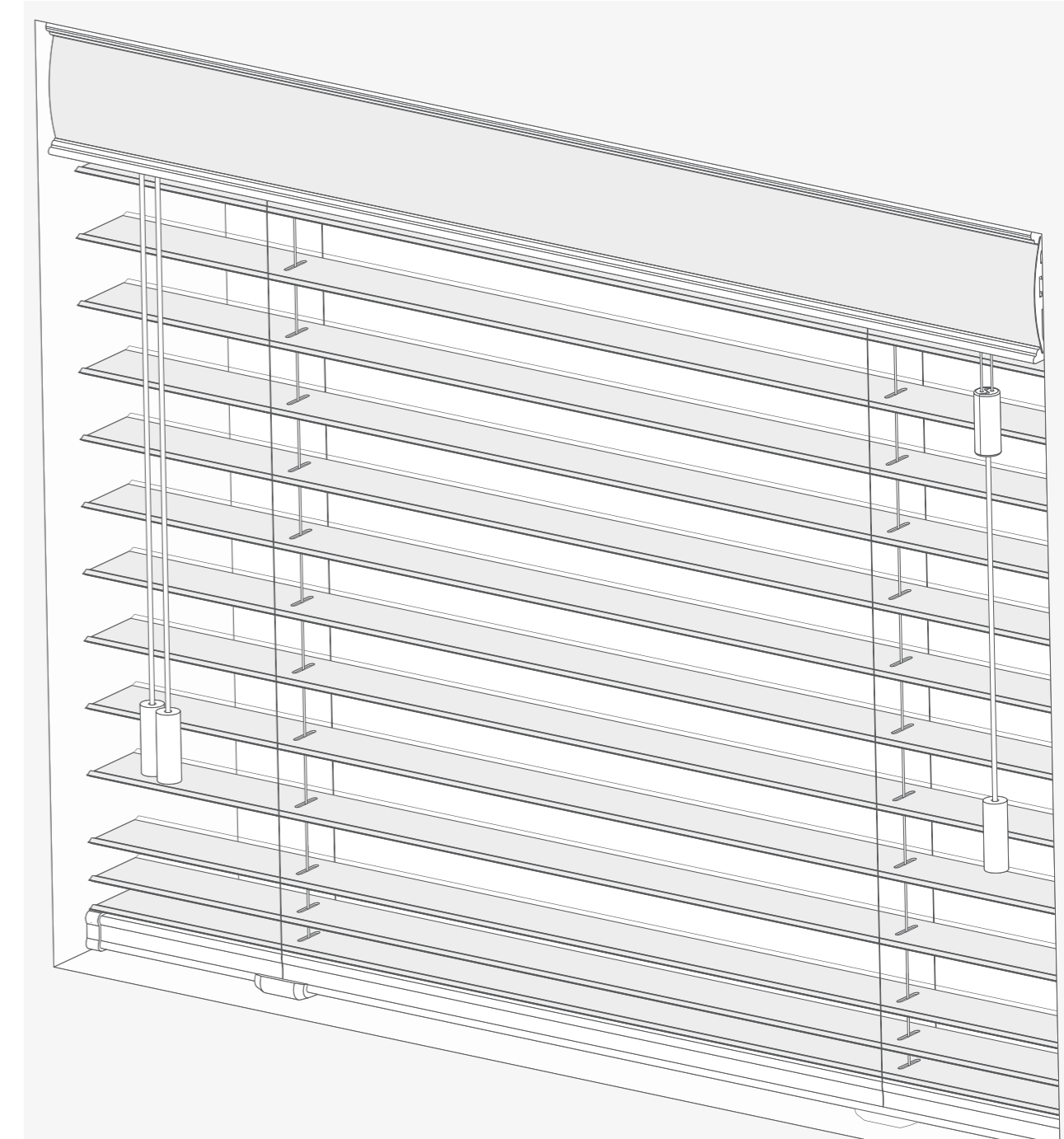
Turn your phone or tablet

Our guides are best viewed in landscape if you're viewing on your phone or tablet.

Designed for *DIY*

Our Fabric Venetian Blinds are designed to be installed by you, without specialist fitters, even if you don't have much DIY experience.

Please read each page of this guide carefully during installation, following along one step at a time.

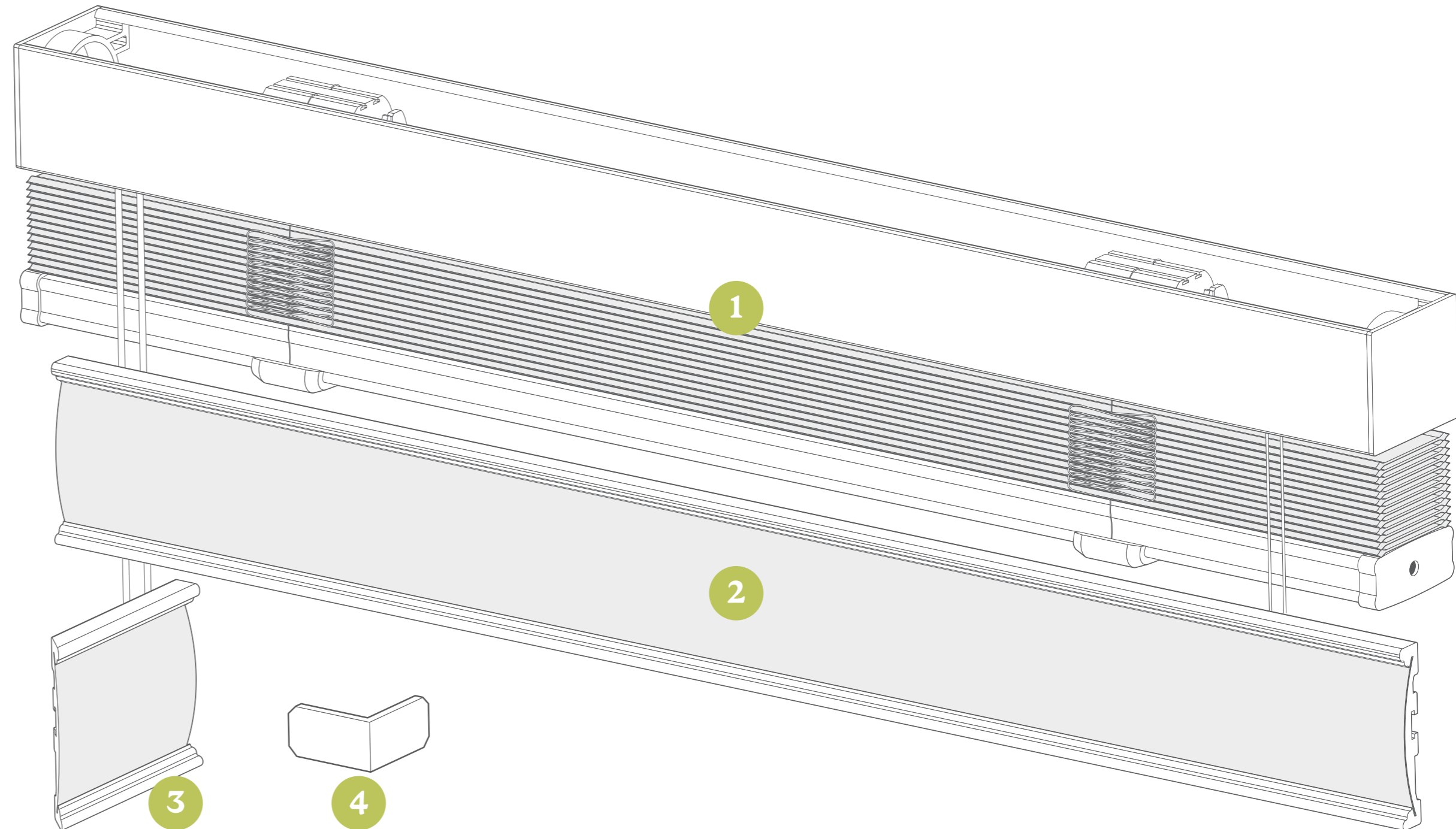


Tools required for this install:

- ✓ Handheld drill
- ✓ 4mm masonry drill bit
- ✓ Phillips screwdriver / driver bit
- ✓ Mallet / hammer
- ✓ Pen / pencil

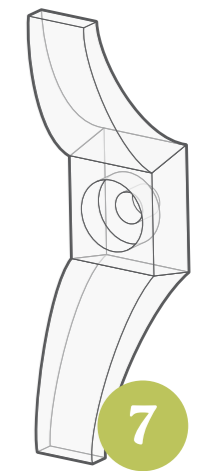
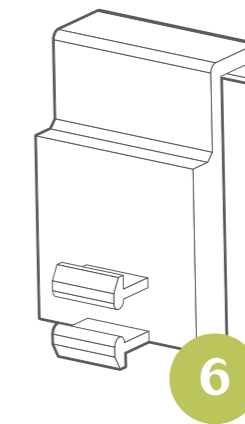
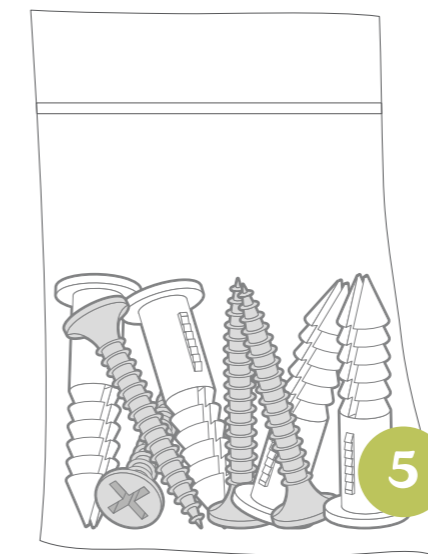
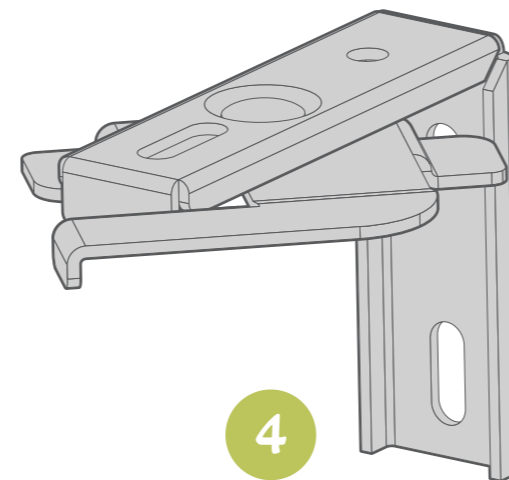
Larger parts included in your order:

- 1 Venetian blind
- 2 Decorative pelmet
- 3 Pelmet end returns (*exact fitting only*)
- 4 Pelmet return clips (*exact fitting only*)



Smaller parts included *in your order*:

- 4 Mounting brackets
- 5 Screws & wall plugs
- 6 Pelmet clips
- 7 Child safety cord cleat



Section 2 *Installing the Brackets*

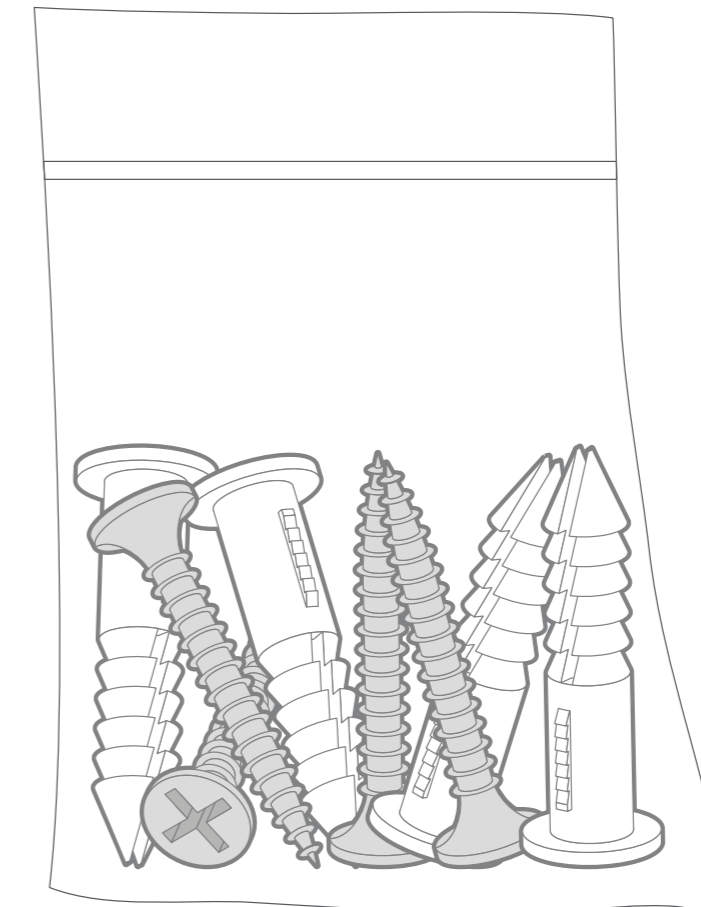
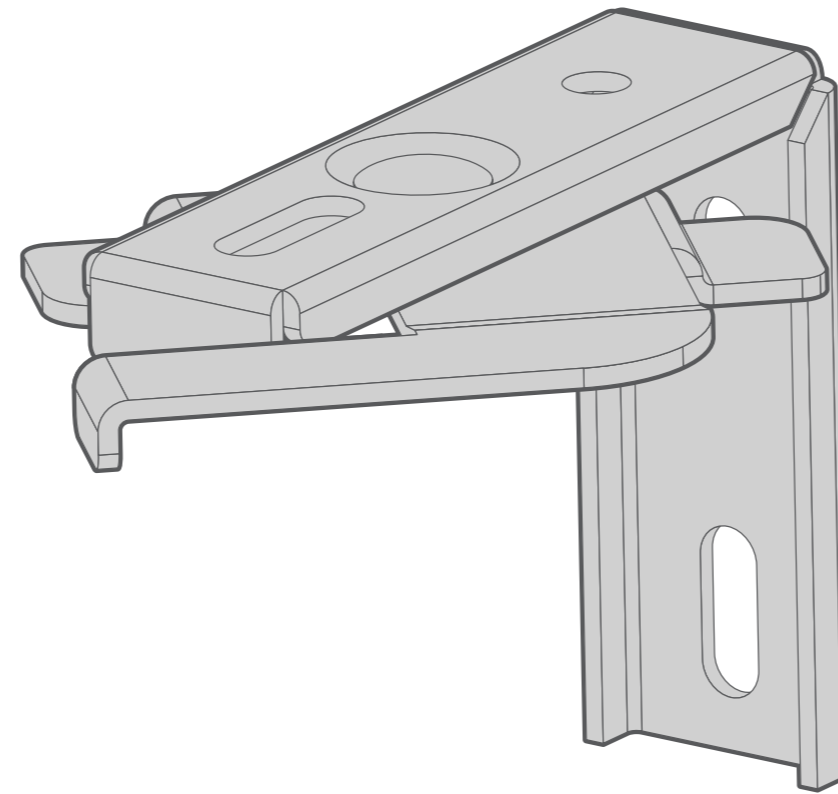
Tools required for this section:

- ✓ Handheld drill
- ✓ 4mm masonry drill bit
- ✓ Phillips screwdriver / driver bit
- ✓ Mallet / hammer
- ✓ Pen / pencil

Parts required for this section:

Mounting brackets

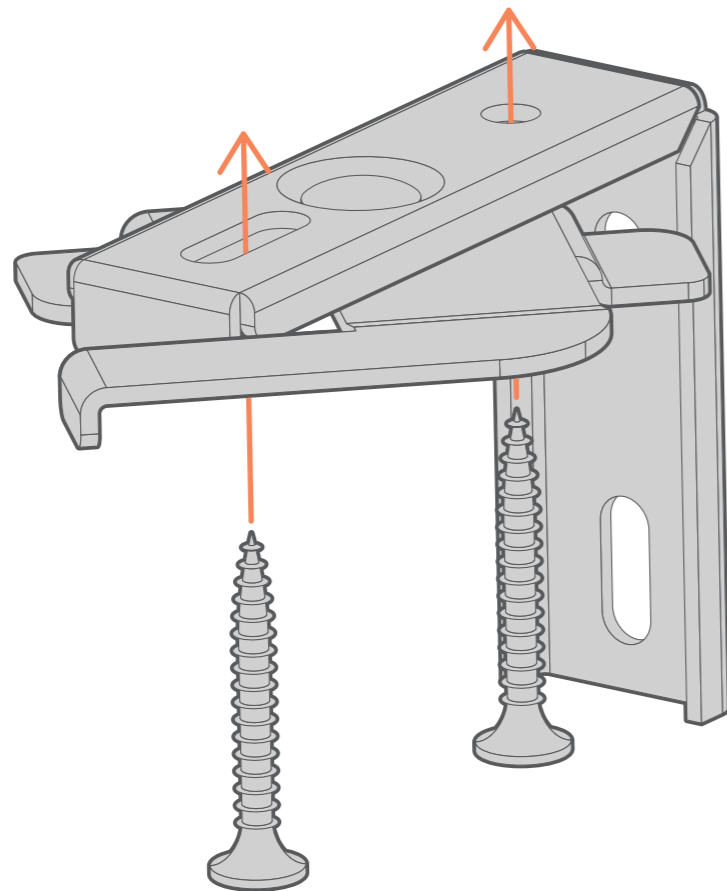
Screws & wall plugs



Section 2 *Installing the Brackets*

First, choose the method you'll be using to install your brackets:

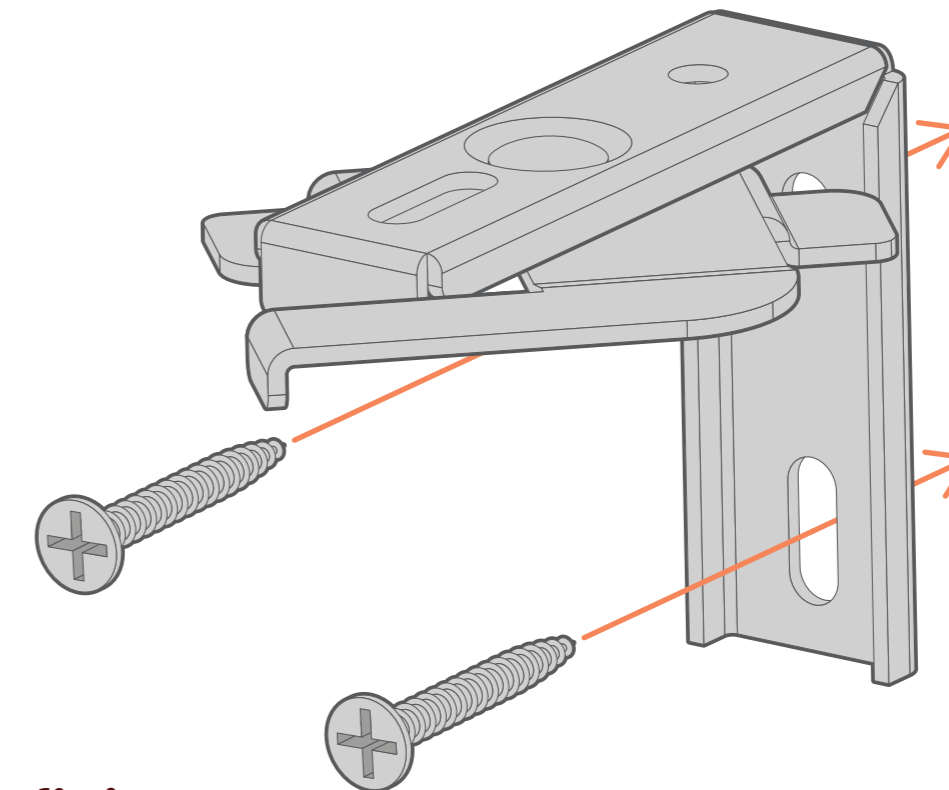
Inside the recess



Top fixing

Screw the brackets into the top of the recess.

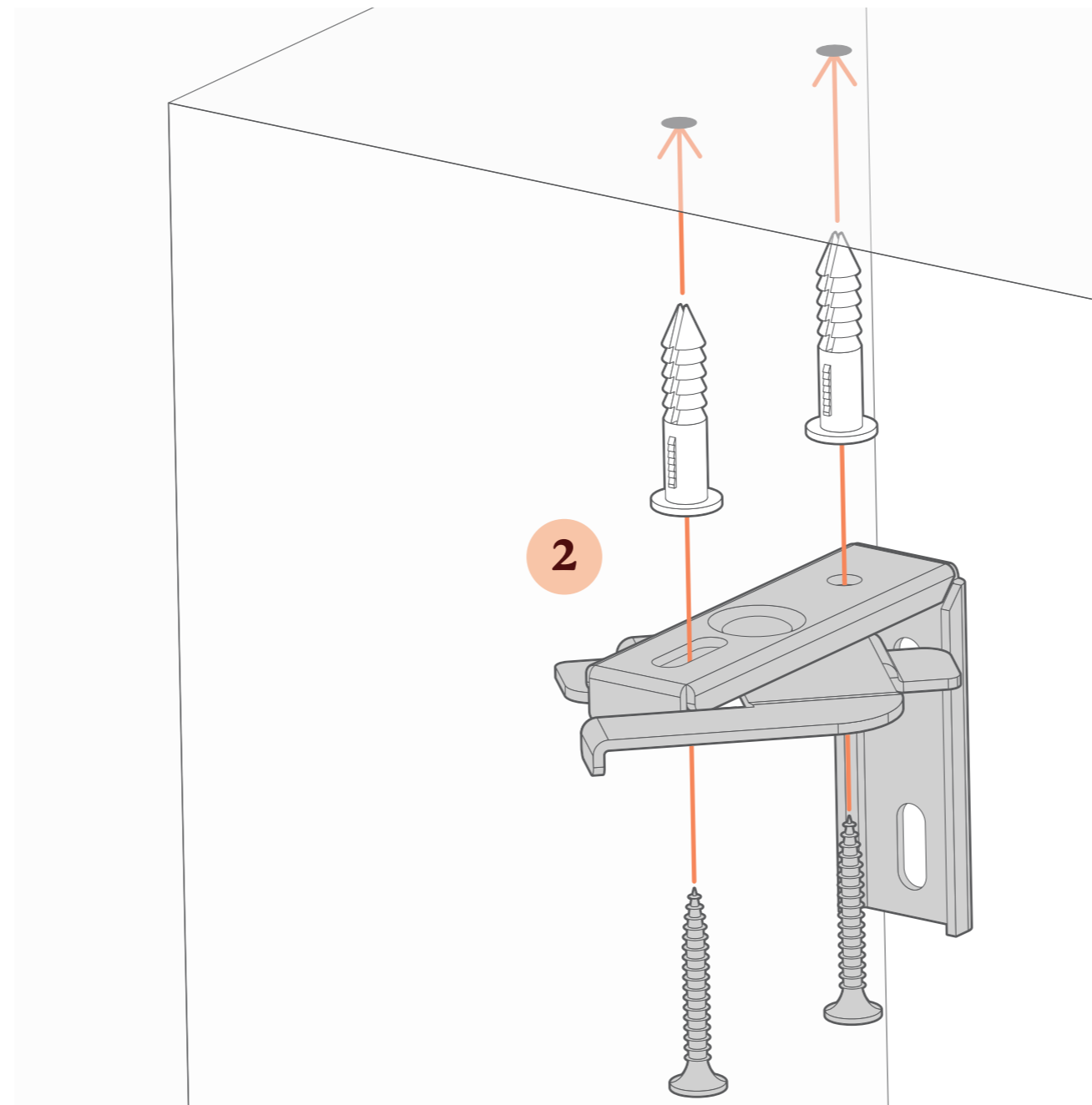
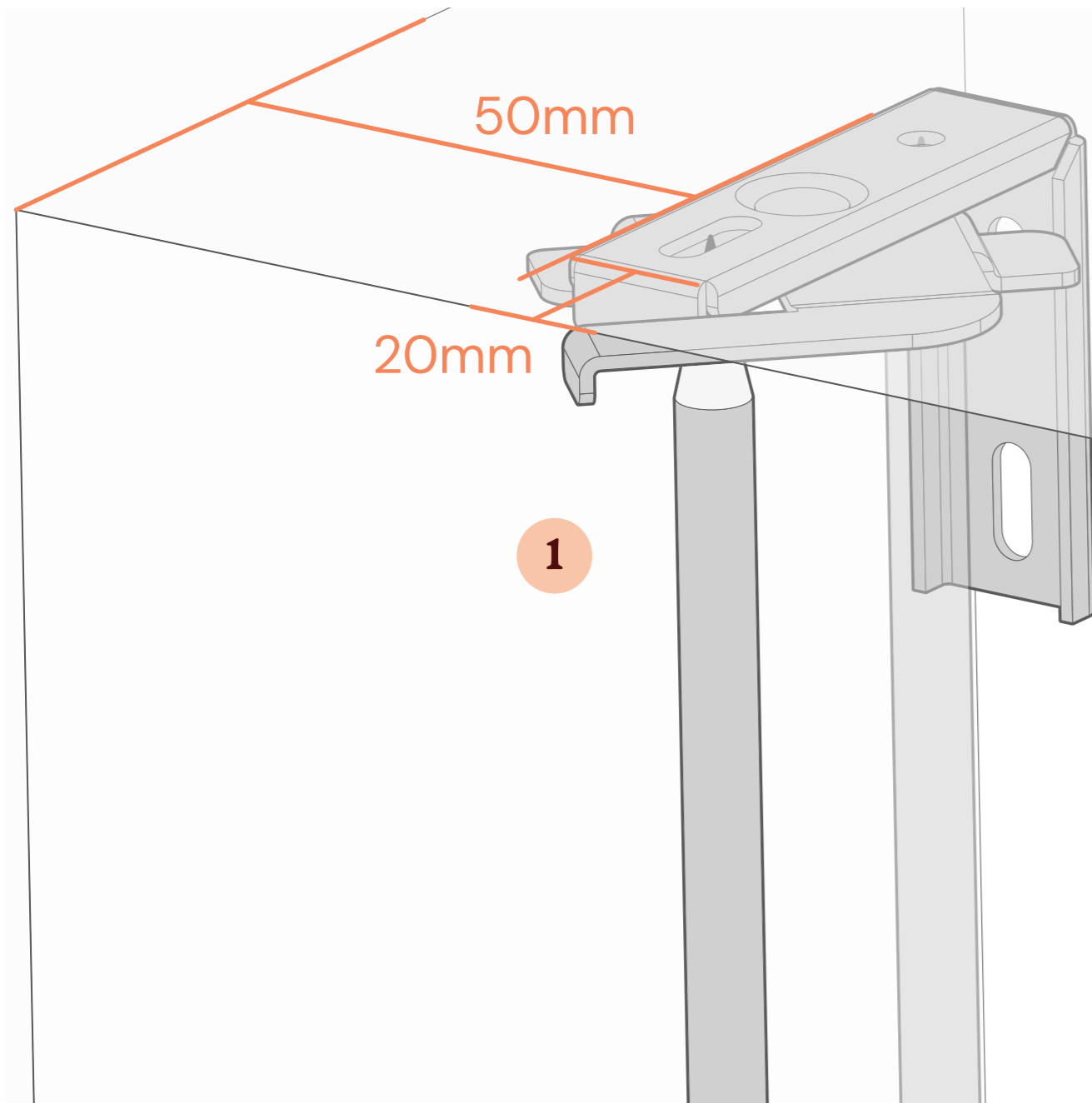
Outside the recess



Face fixing

Screw the brackets into the wall above the recess.

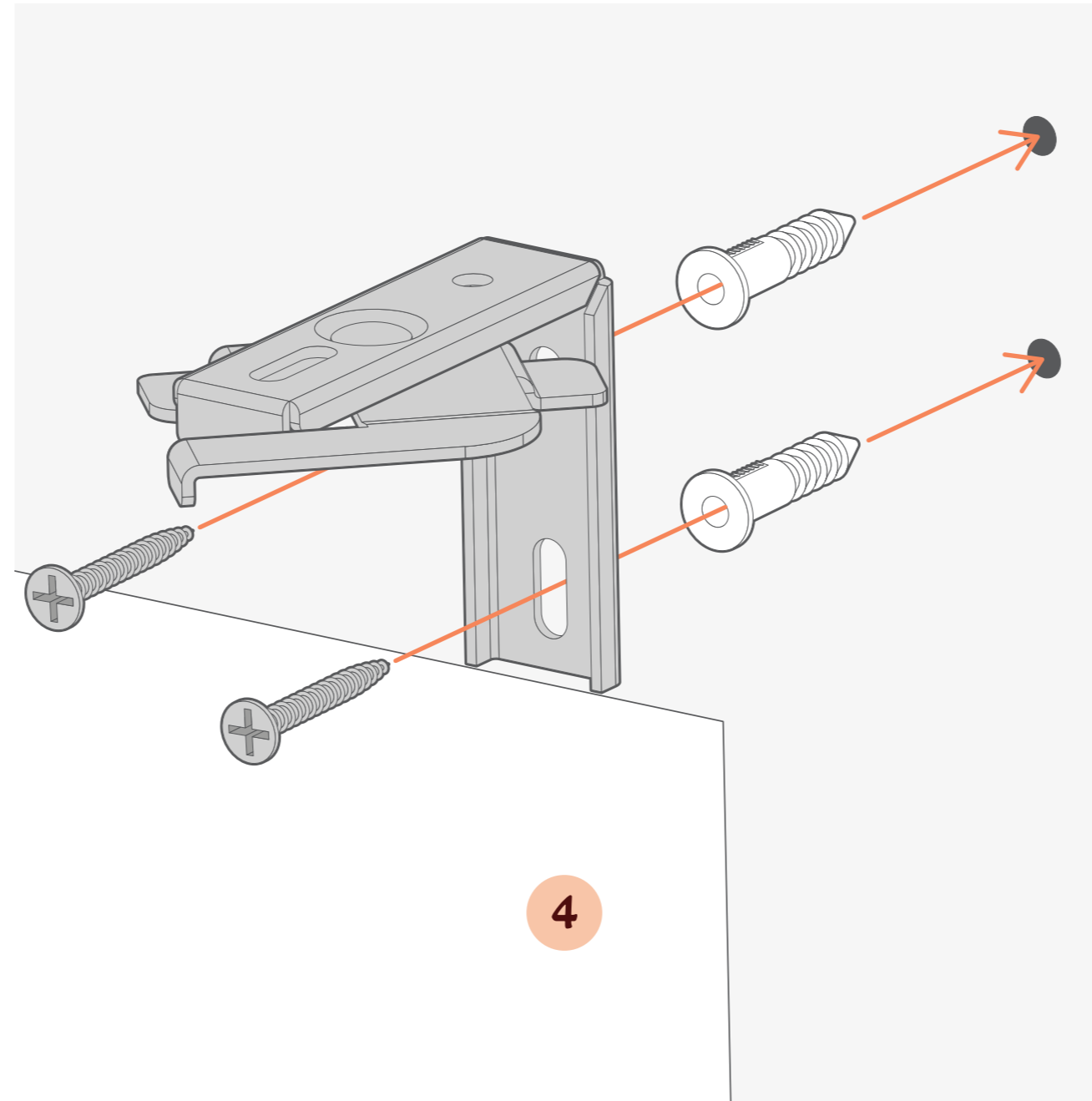
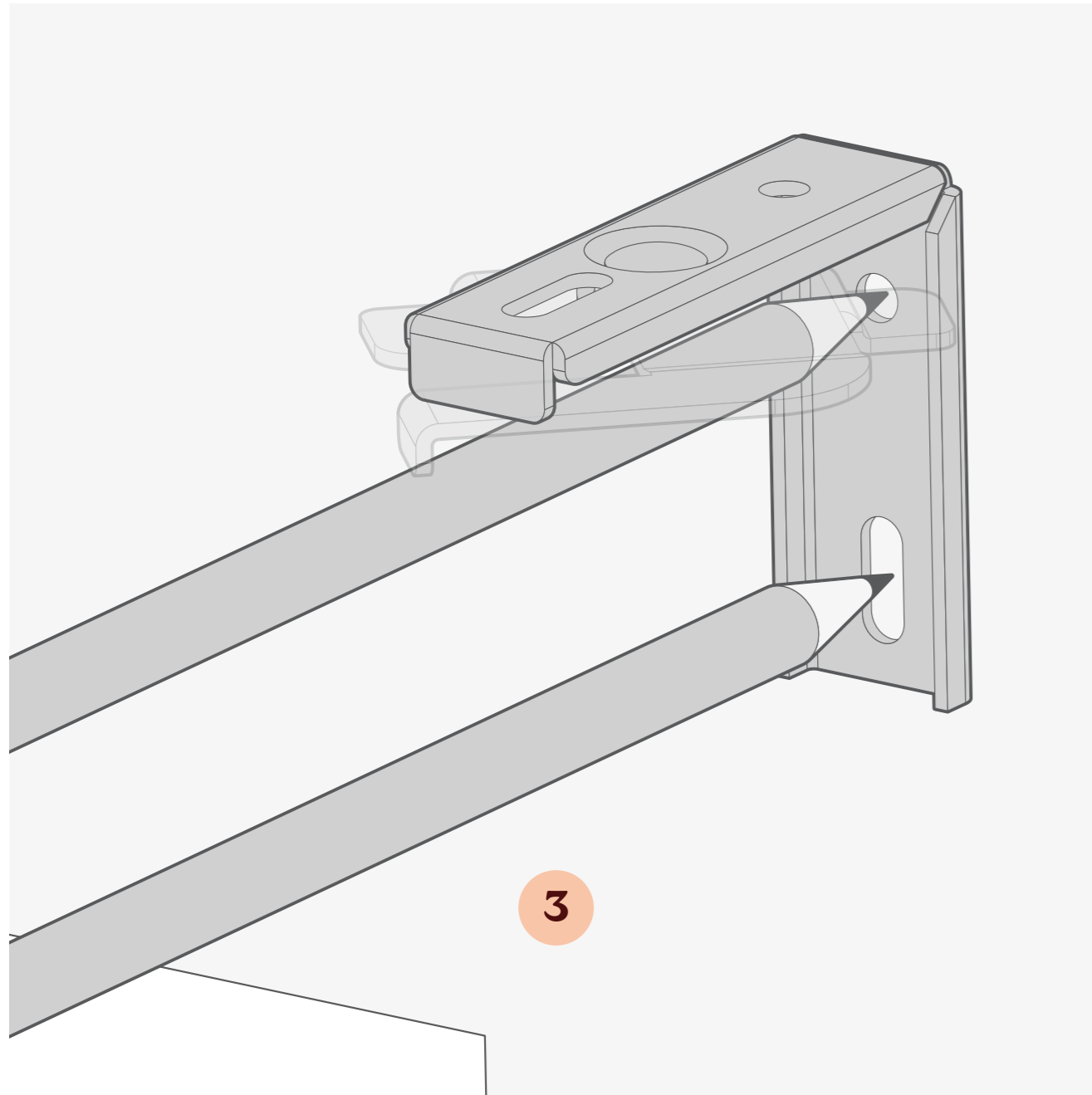
Section 2 *Installing the Brackets - Top-Fixing*



Hold the brackets in position up against the top of the recess and mark the locations of the screw holes on each bracket with a pen or pencil (1). The far left and right brackets should be at least 50mm in from the sides of the recess, with any additional brackets spaced evenly between them. All brackets should sit around 20mm in from the front of the recess.

Drill a hole at each mark, then use the screws and wall plugs provided to secure the brackets in place (2).

Section 2 *Installing the Brackets - Face-Fixing*



Hold your brackets up against the wall in the area you'll be fitting them. This should match where you took your measurements when you measured for exact fitting. Mark each of the rear screw holes with a pen or pencil (3).

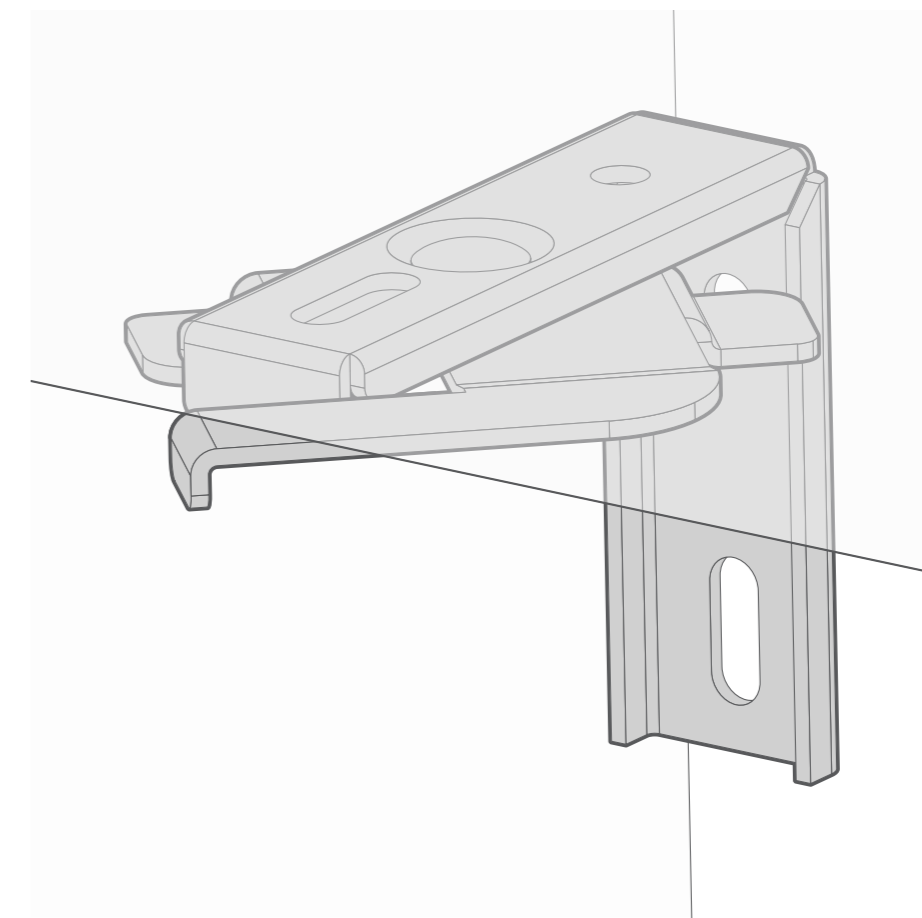
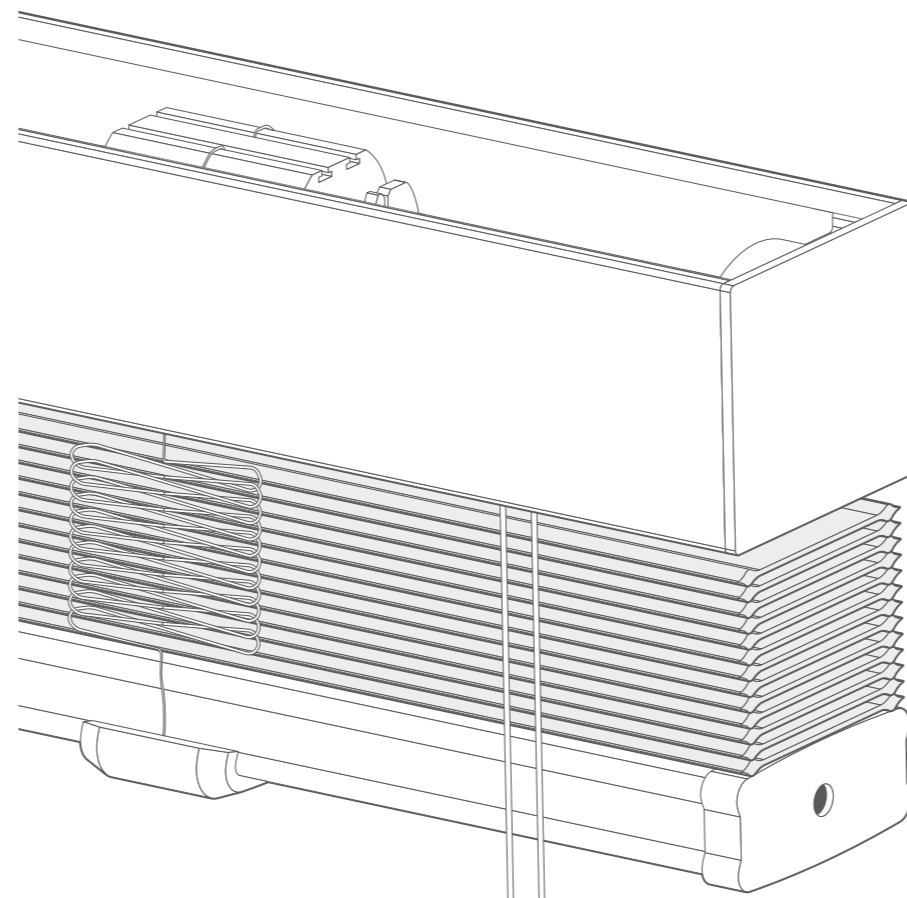
Drill a hole for each mark, then use two screws and wall plugs per bracket to secure them (4).

Section 3 *Installing the Blind*

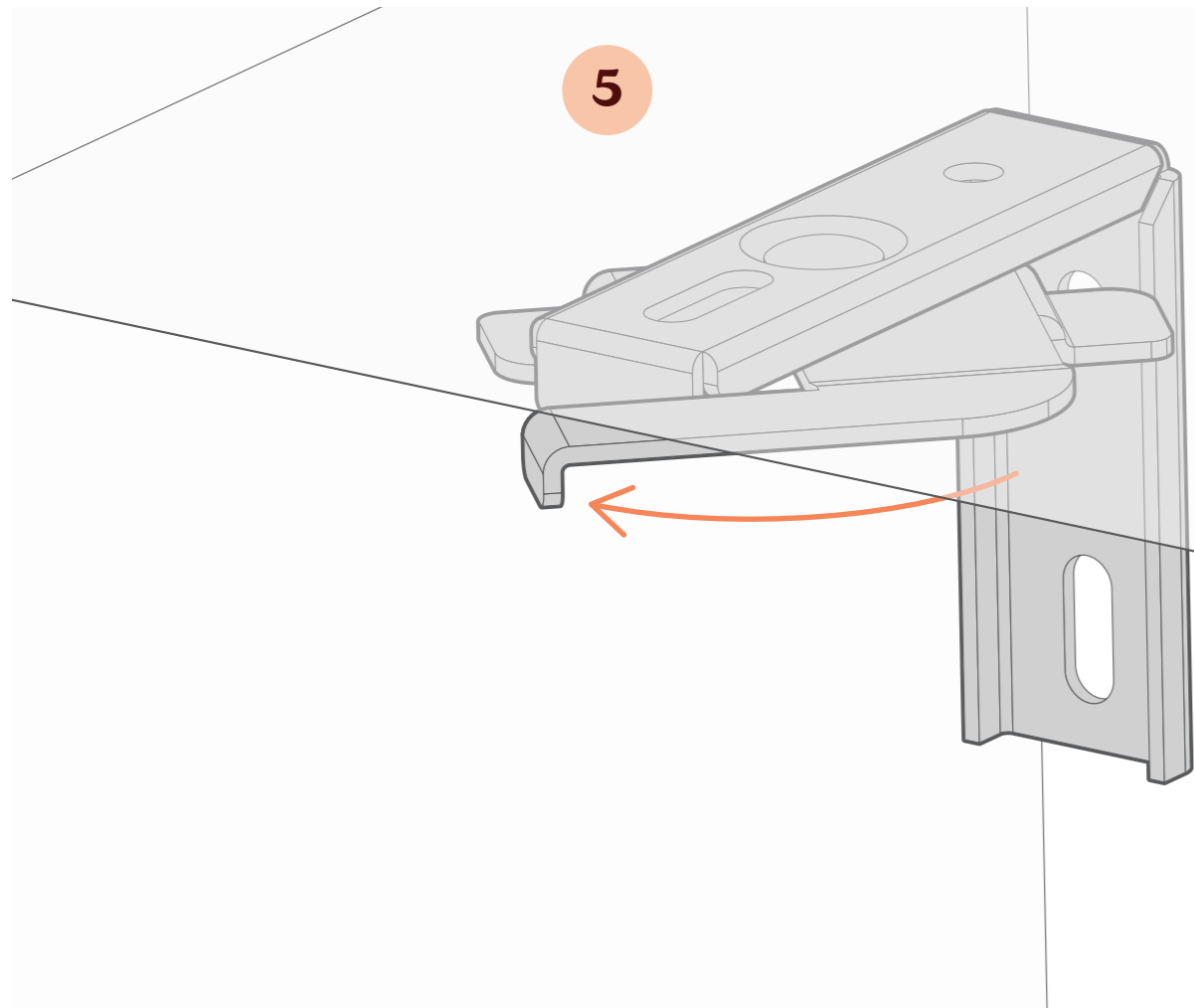
Parts required for this section:

Fabric Venetian Blind

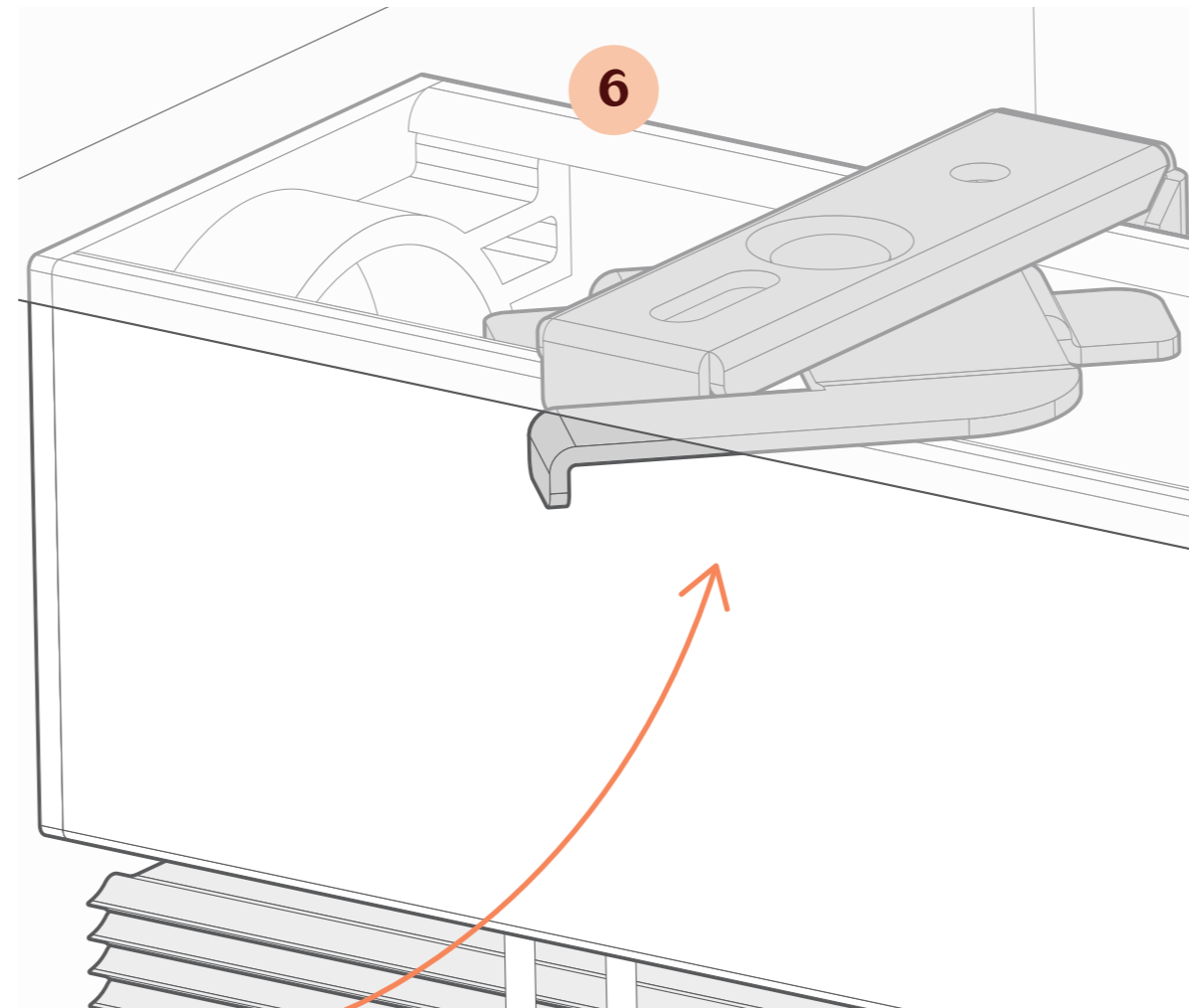
Installed mounting brackets



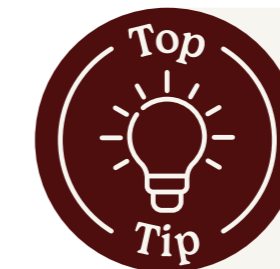
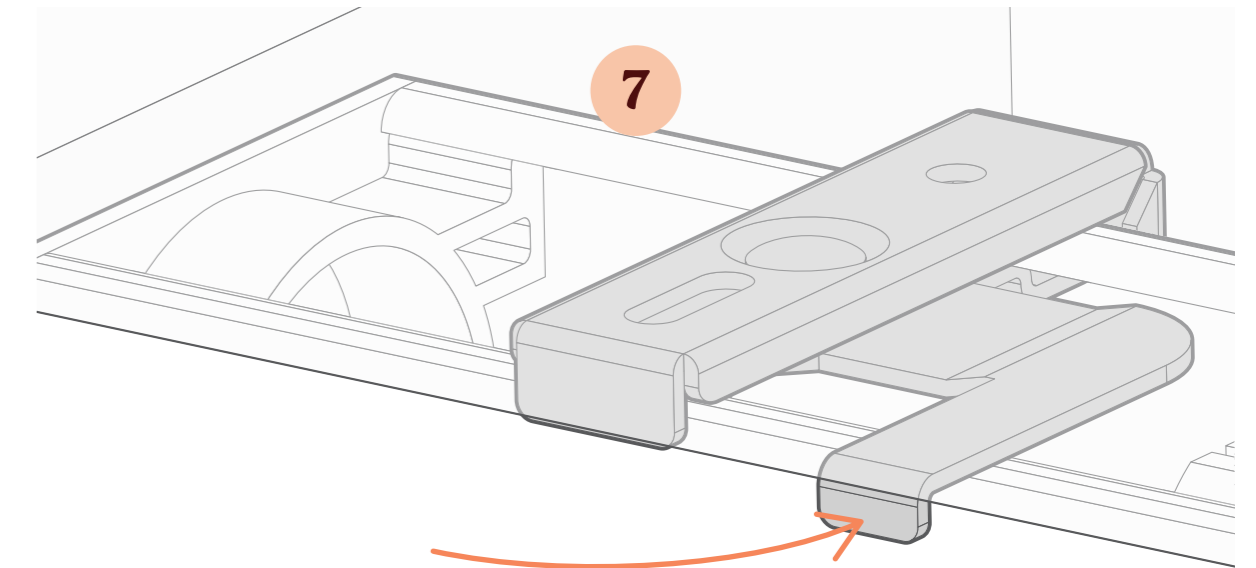
Section 3 *Installing the Blind*



Before you install the blind, make sure that the swivel arm on each bracket is rotated away from the window, towards you (5).



Raise the blind to the brackets and rest the top of the headrail against the underside of the brackets (6).



Note that the lever arm is often quite tight, this is normal.

Making sure the headrail is straight, press it up against the brackets and swivel the lever arm on each bracket back until it's flush with the front of the headrail (7).

Section 4 *Installing the Pelmet*

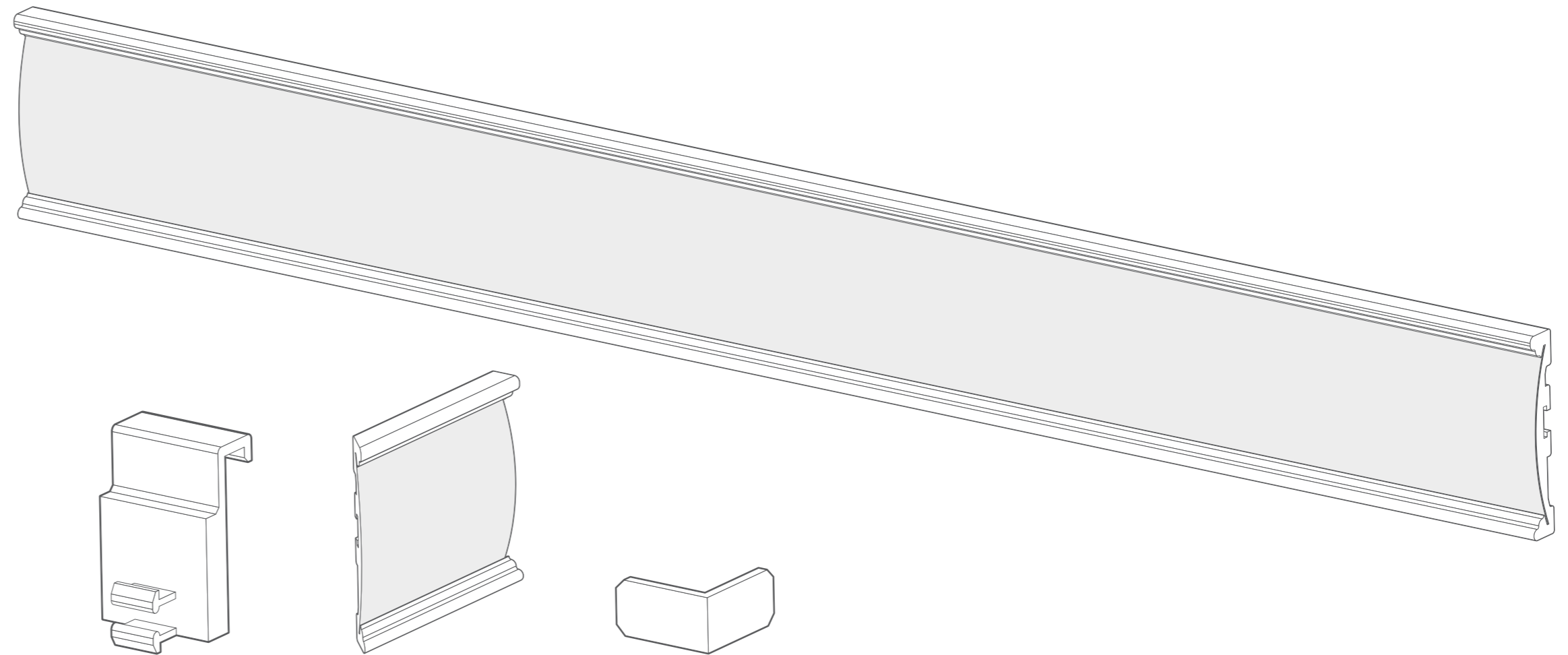
Parts required *for this section:*

Decorative pelmet

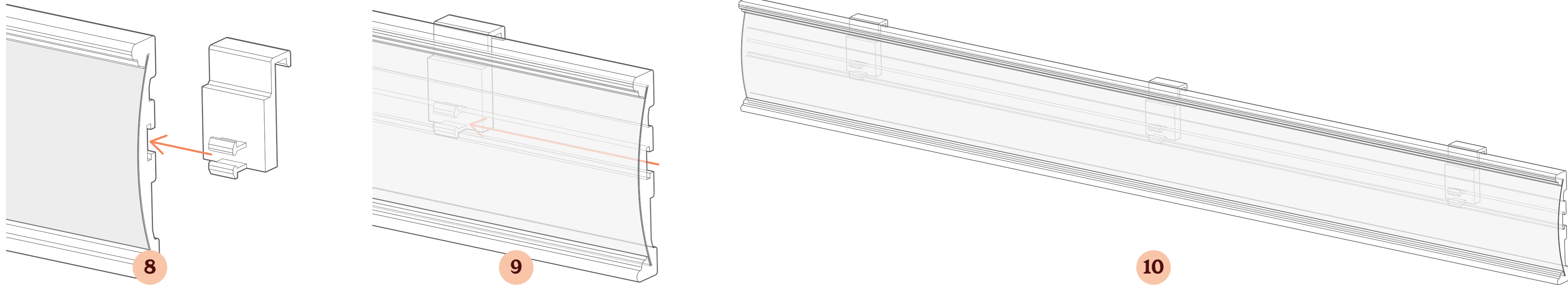
Pelmet clips

Pelmet end returns (*exact fitting only*)

Pelmet return clips (*exact fitting only*)



Section 4 *Installing the Pelmet*

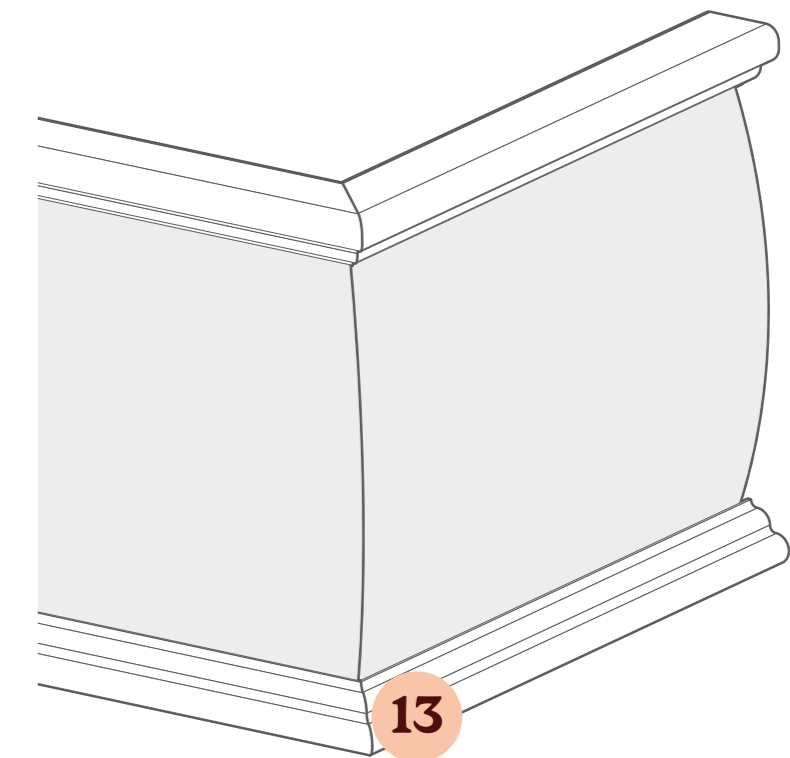
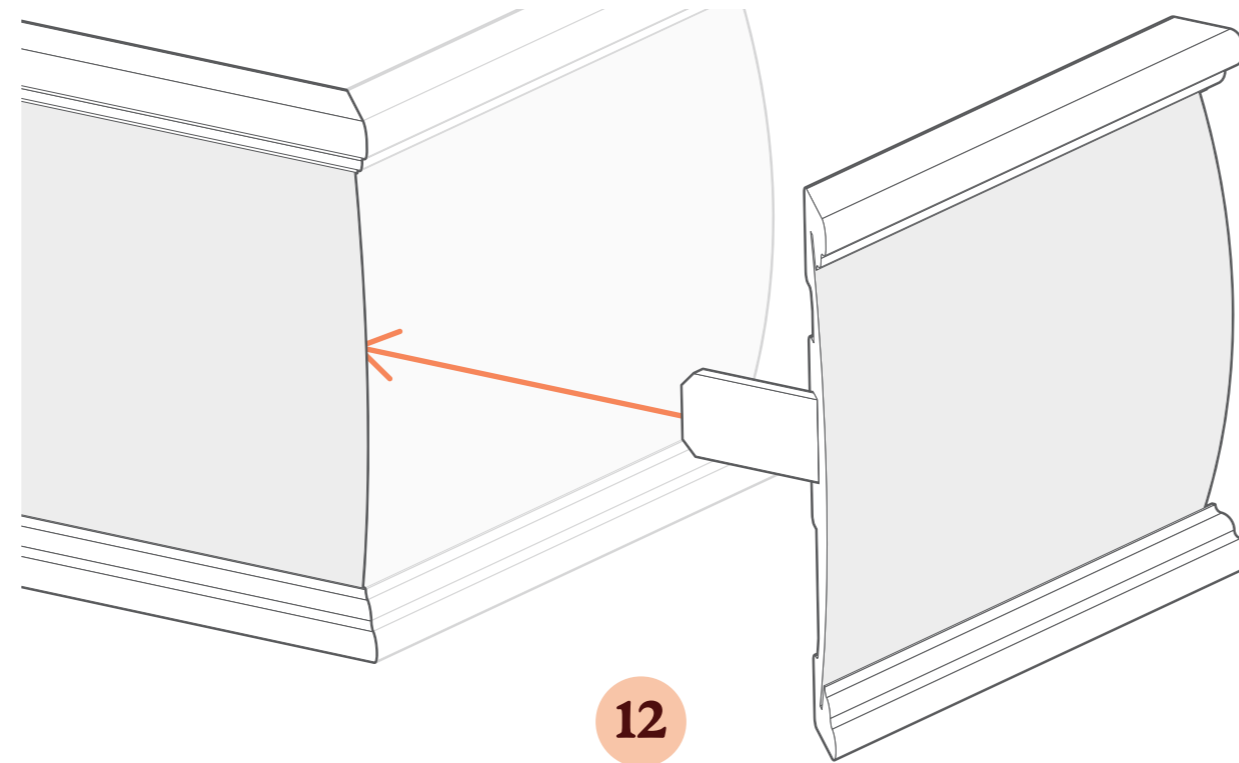
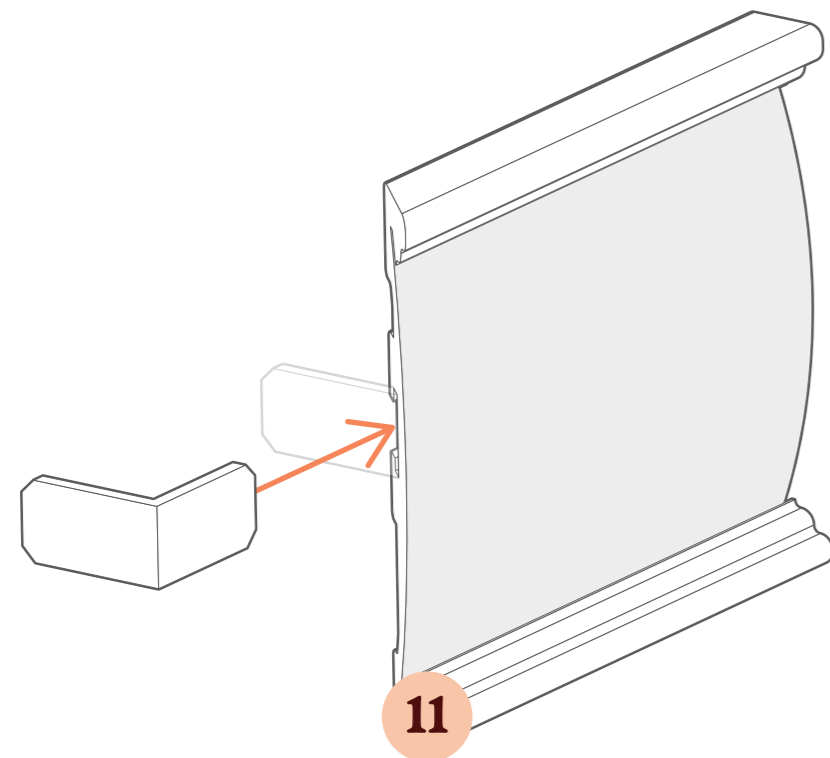


Take the pelmet clips and slide the grips into the channel along the back of the pelmet (8 / 9).

Slide them along until the clips are spaced evenly along the length of the pelmet, use all of the clips received (10).

Section 4 *Installing the Pelmet*

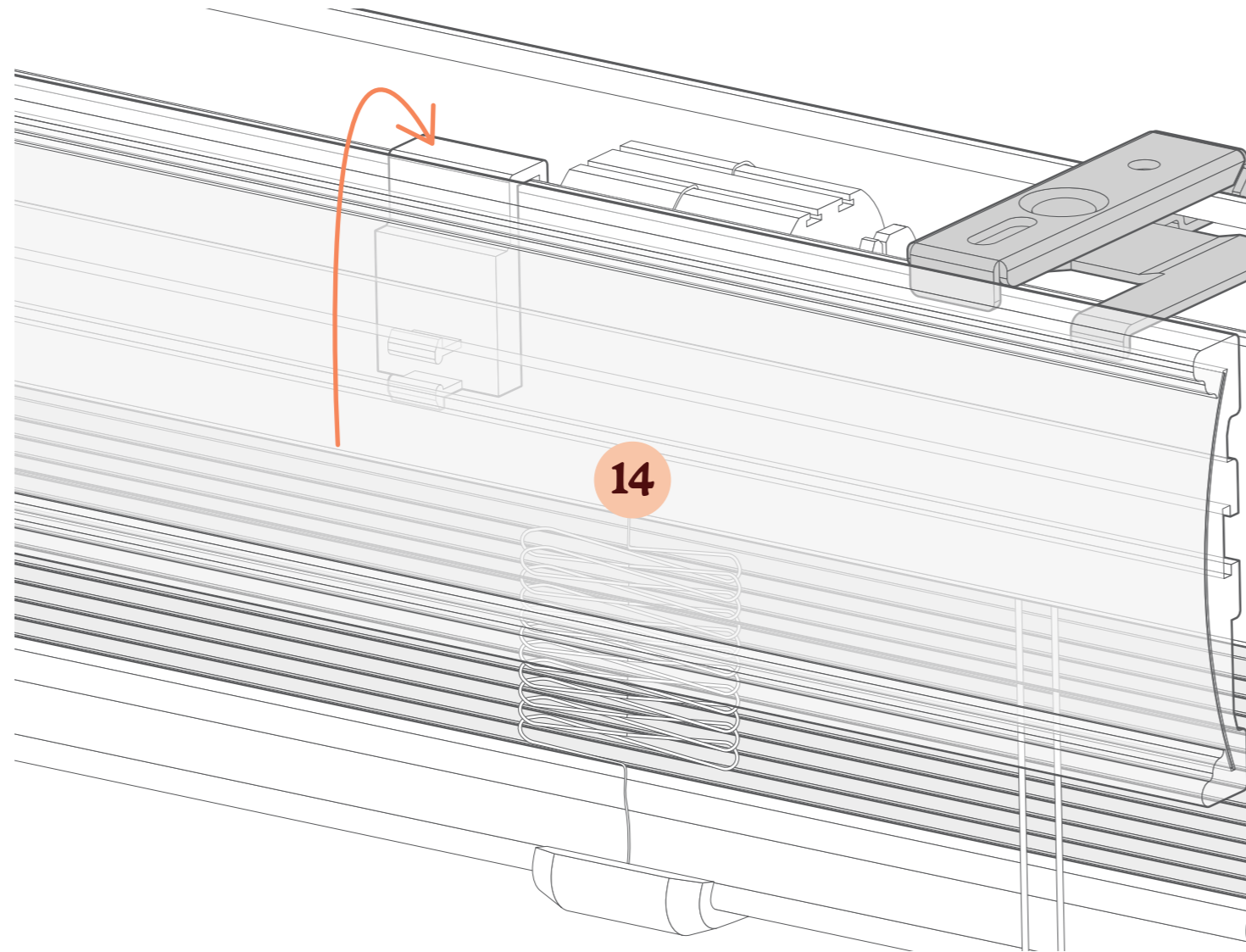
This page is only relevant if you're fitting the blind outside the recess. If you're fitting inside the recess, please skip to the next page



If you're installing the blind outside the recess, return pieces will be provided to attach to the ends of the pelmet and cover the brackets at the ends of the blind.

Slot the pelmet return clips into the angled side of each pelmet return (11). Then, slot the returns onto the ends of the pelmet (12 / 13).

Section 4 *Installing the Pelmet*



Then, simply hook the pelmet clips over the front of the blind's headrail to finish installing the pelmet (14).

Section 5 Child Safety



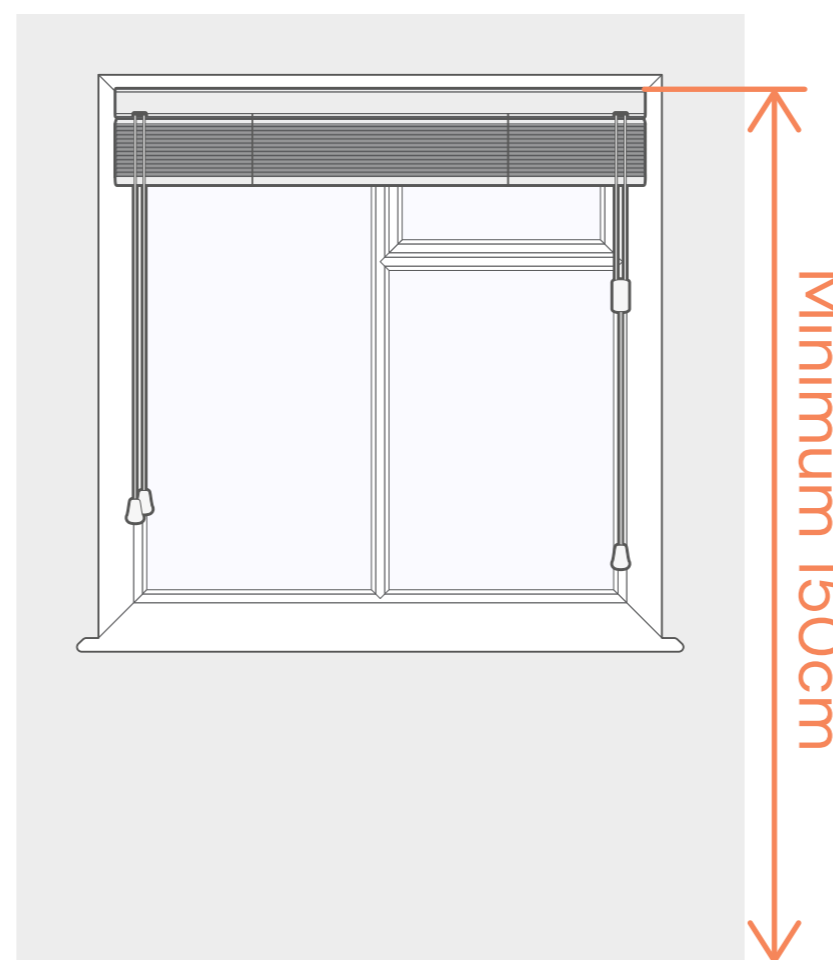
WARNING

Young children can be strangled by loops in pull cords, chains, tapes and inner cords that operate the product.

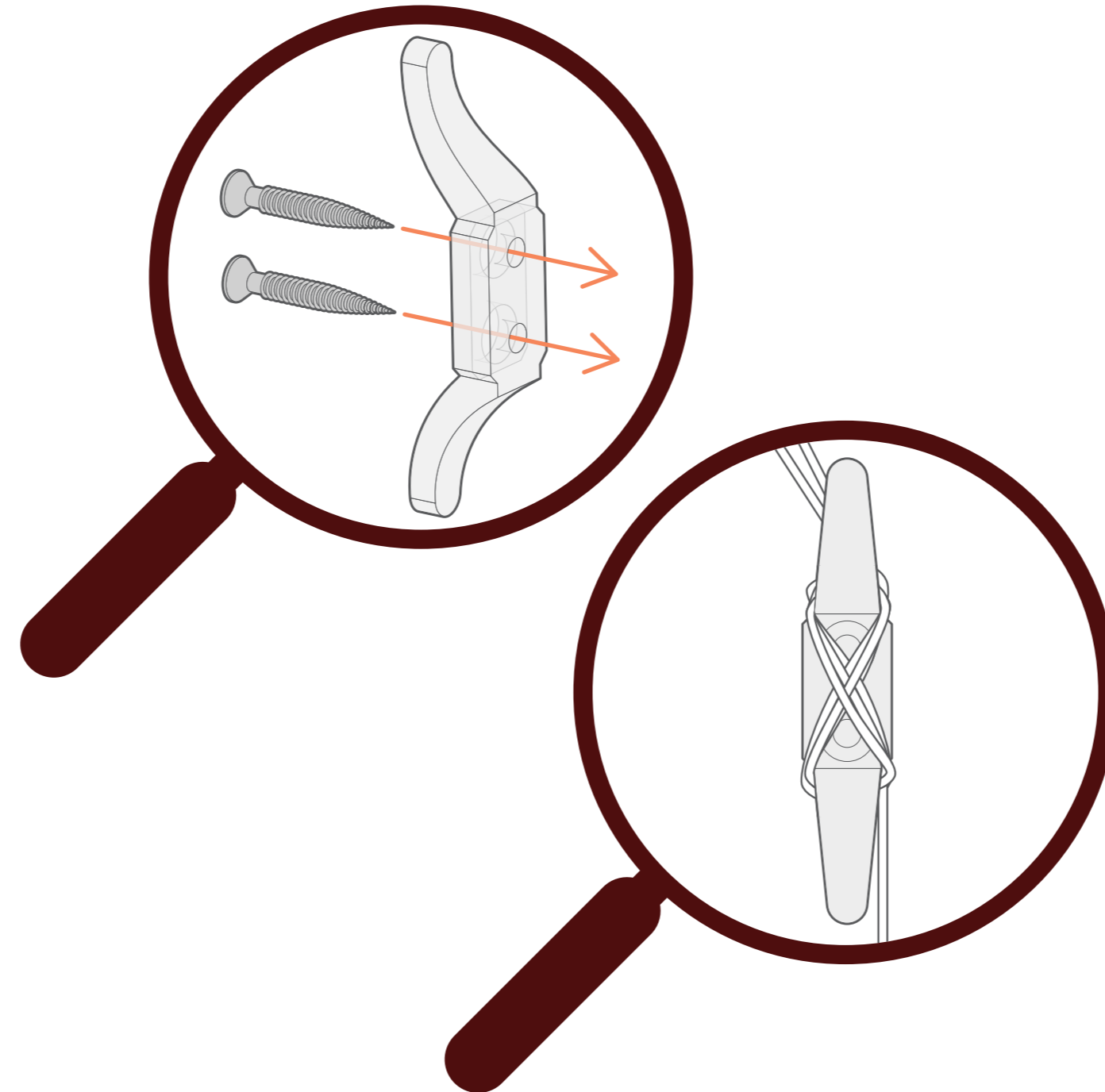
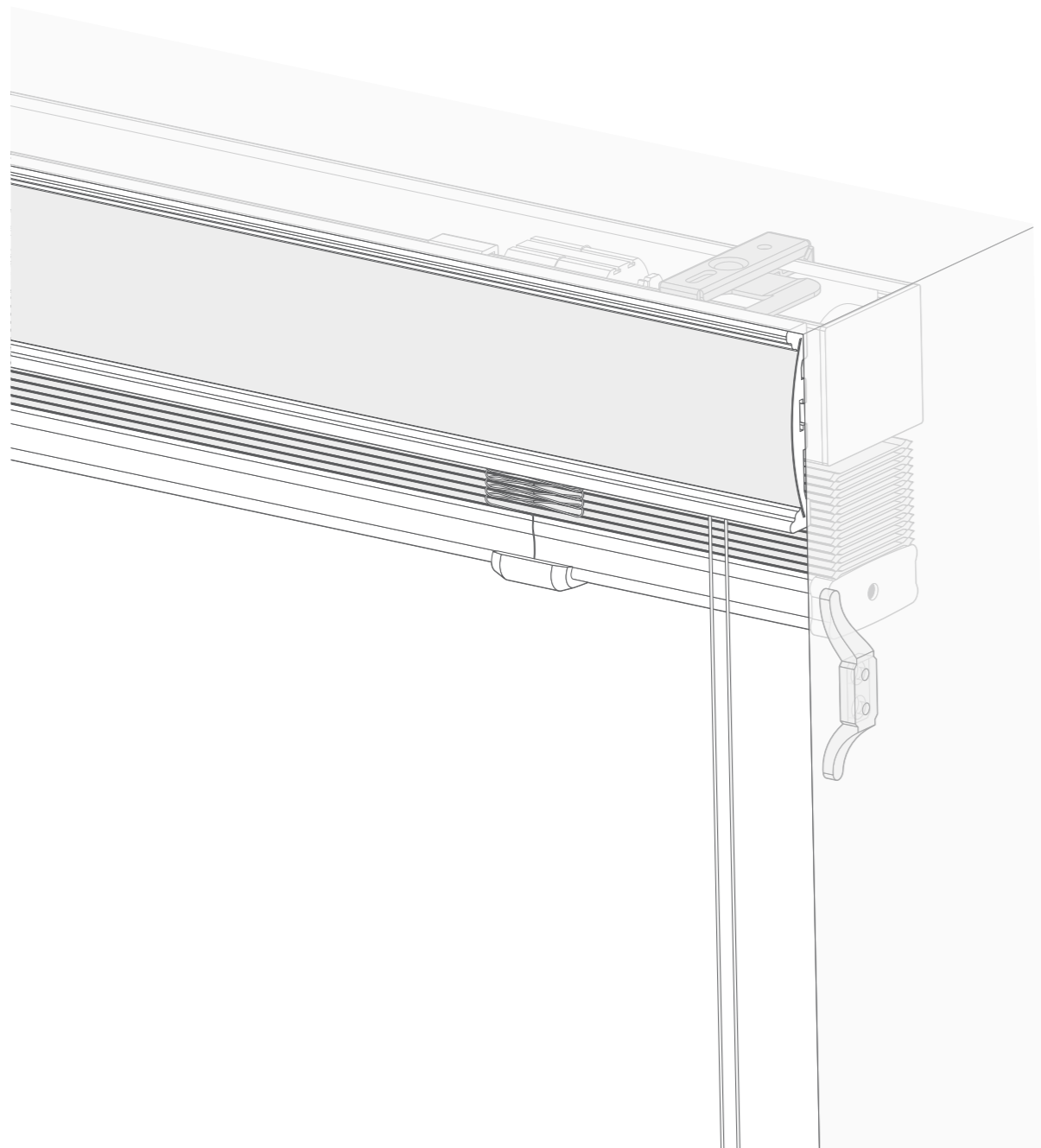
To avoid strangulation and entanglement, keep cords out of the reach of young children. Cords may become wrapped around a child's neck.

Move beds, cots and furniture away from window covering cords.

Do not tie cords together. Make sure cords do not twist and create a loop.



For safety reasons, always ensure that the top of the blind is installed at least 150cm (1500mm) from the floor.



The blind is provided with a safety cleat, to wrap the lift cord around when the blind is not in use, especially when the blind is raised.

The safety cleat should be installed on the wall next to the blind, as close to the blind's headrail as possible.

And that's it! Your beautiful new blind is installed and ready to enjoy...