

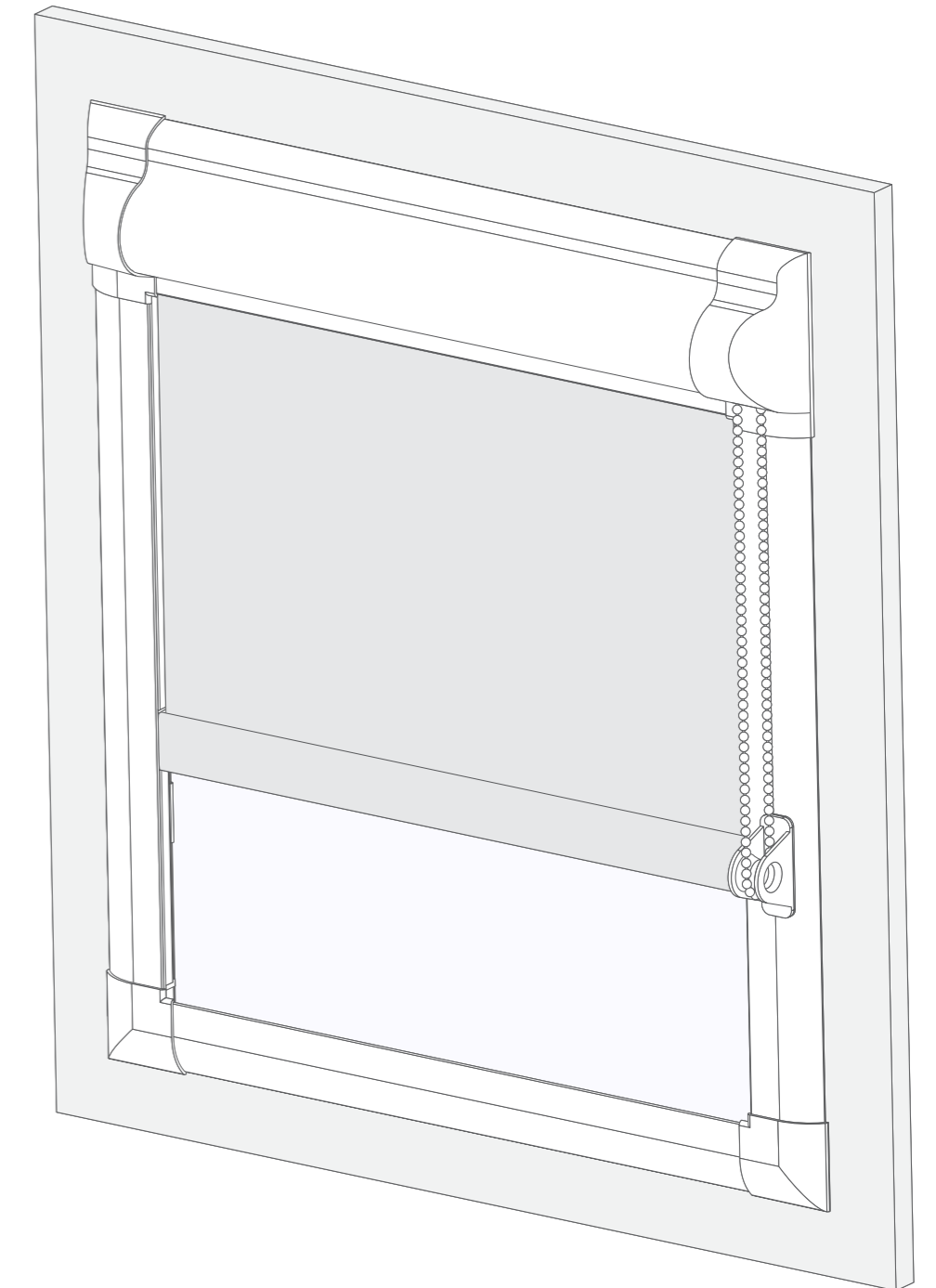
Turn your phone or tablet

Our guides are best viewed in landscape if you're viewing on your phone or tablet.

Designed for *DIY*

Our Perfect Fit® Roller Blinds are designed to be installed by you, without specialist fitters, even if you don't have much DIY experience.

Please read each page of this guide carefully during installation, following along one step at a time.

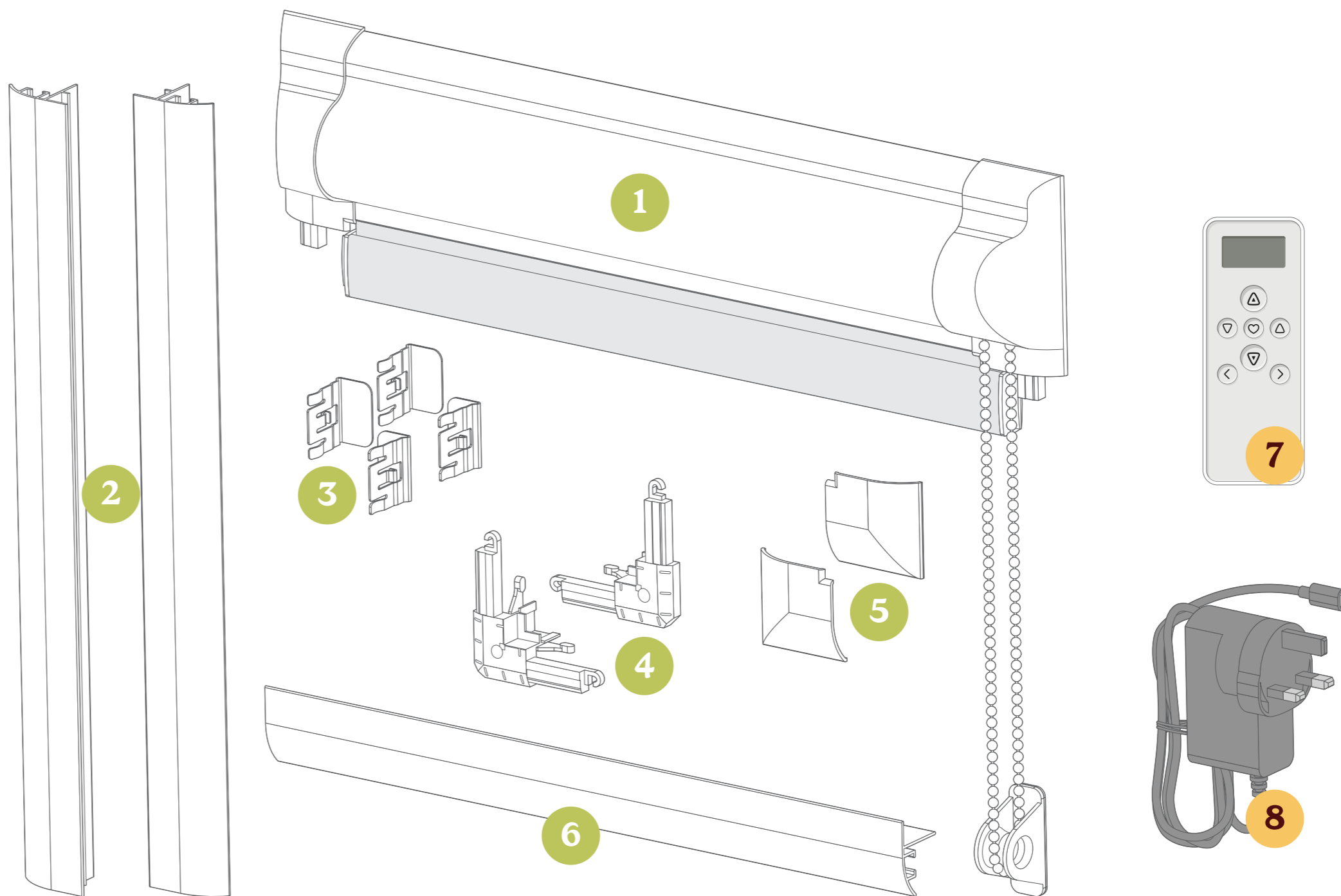


Parts included *in your order*:

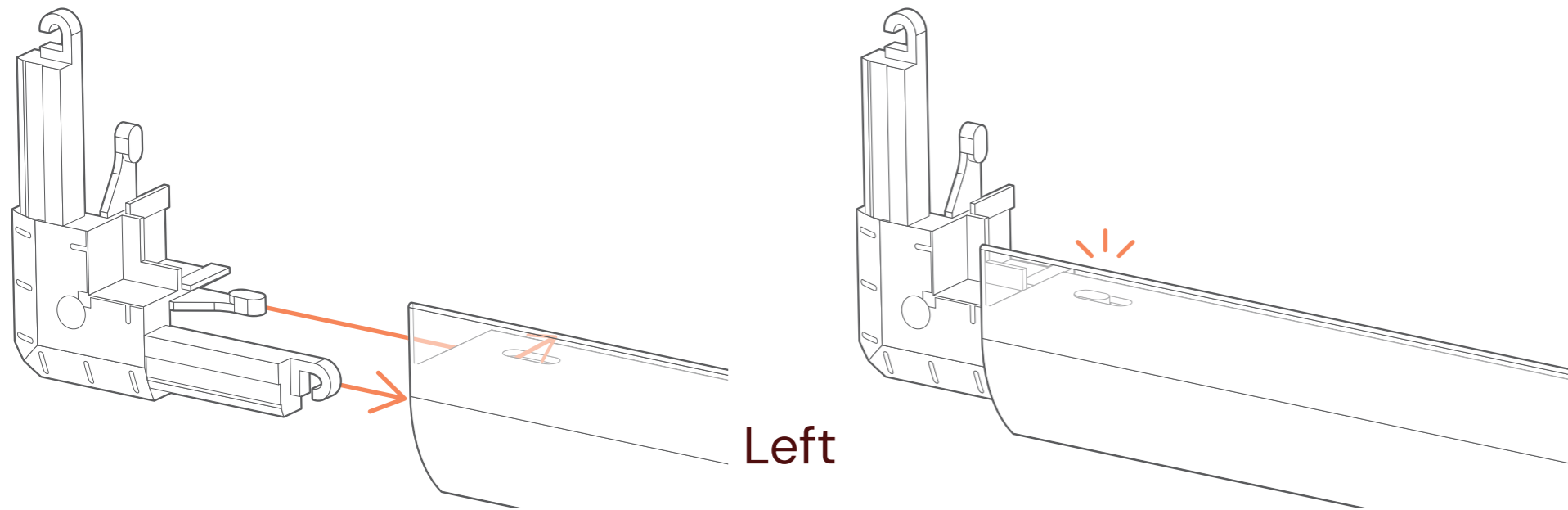
- 1 Roller Blind
- 2 Side channels
- 3 Mounting brackets
- 4 Corner connectors
- 5 Corner covers
- 6 Bottom channel

Electric Upgrade Only

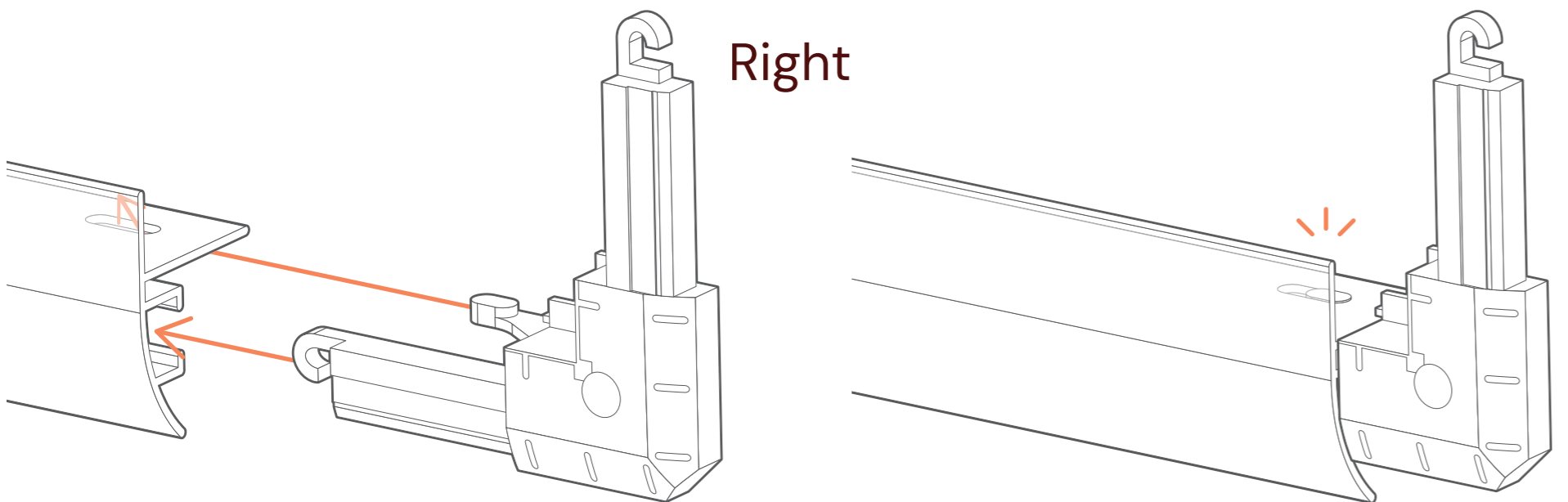
- 7 Remote control
- 8 USB-C charger



Section 2 Assembling the Blind



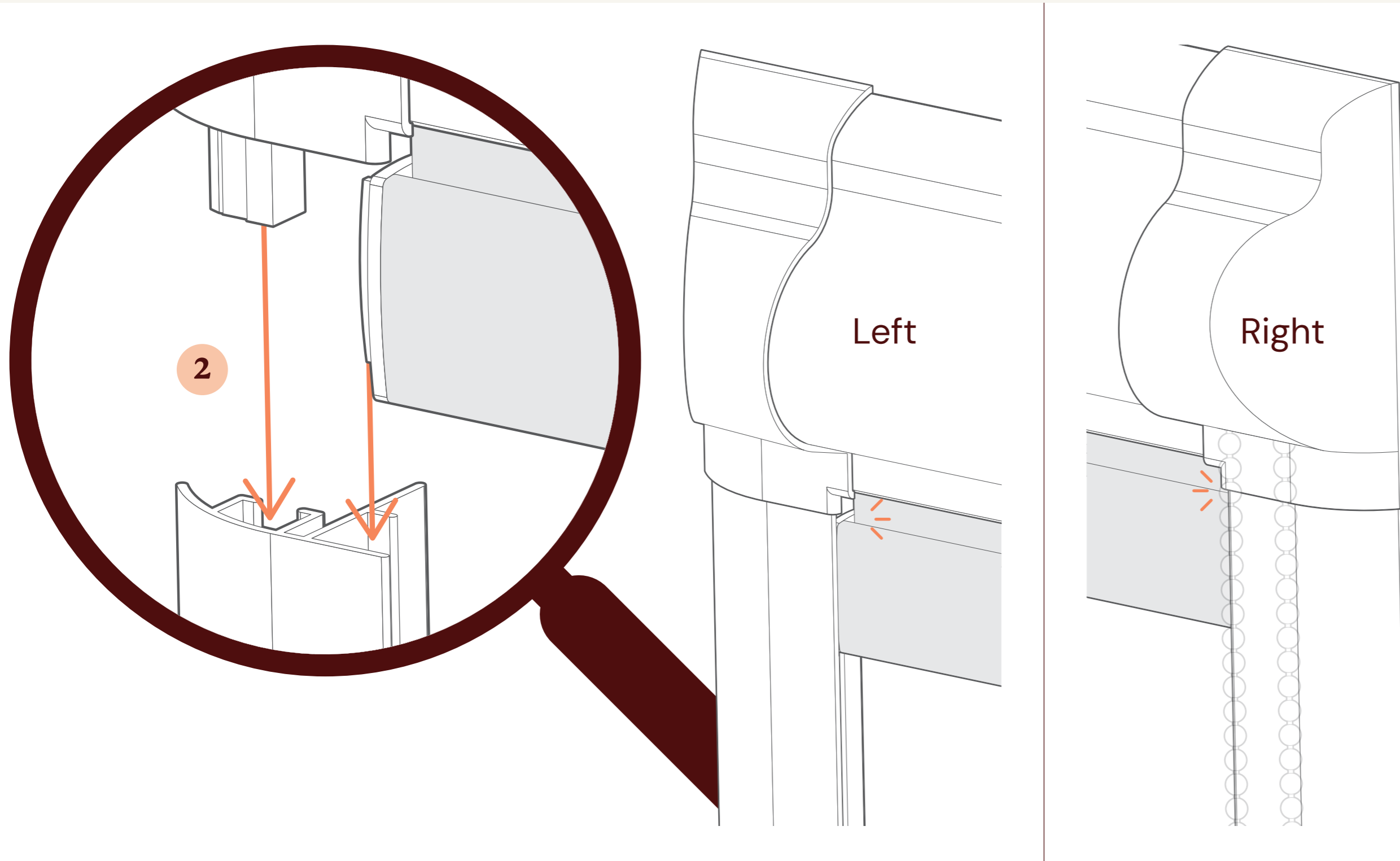
1



Slot the corner connectors into the ends of the bottom bar (1).

The clips on the corner connectors should click into place in special slots in the channel.

Section 2 Assembling the Blind

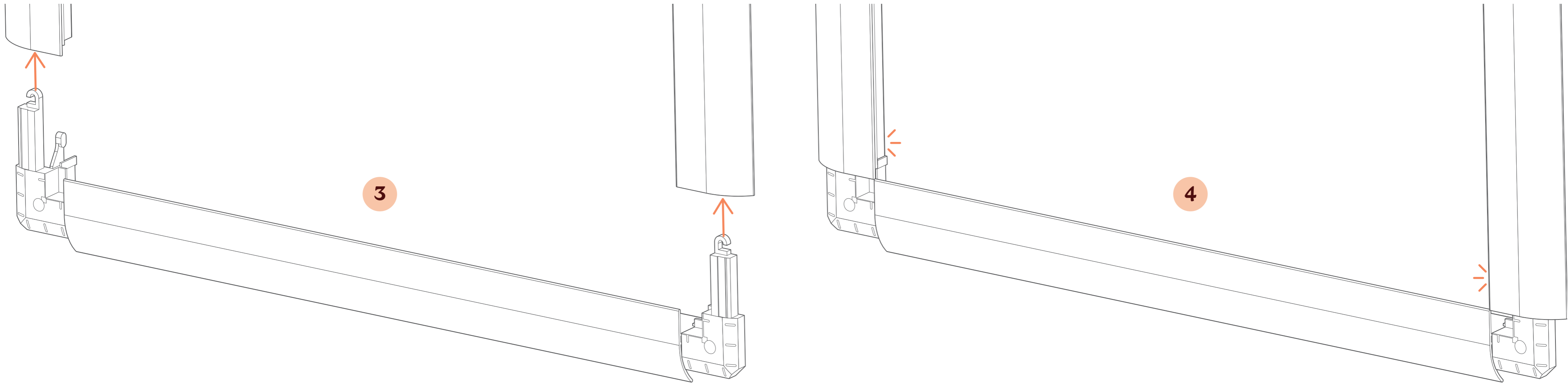


Slot the side channels onto the pre-fitted corner pieces at the ends of the blind (2).

Once again, the clip on the corner piece should click into a slot toward the top of the side channel.

Note that the side channels have an additional divider running down the length of the channel – the blind's fabric should be in front of this divider.

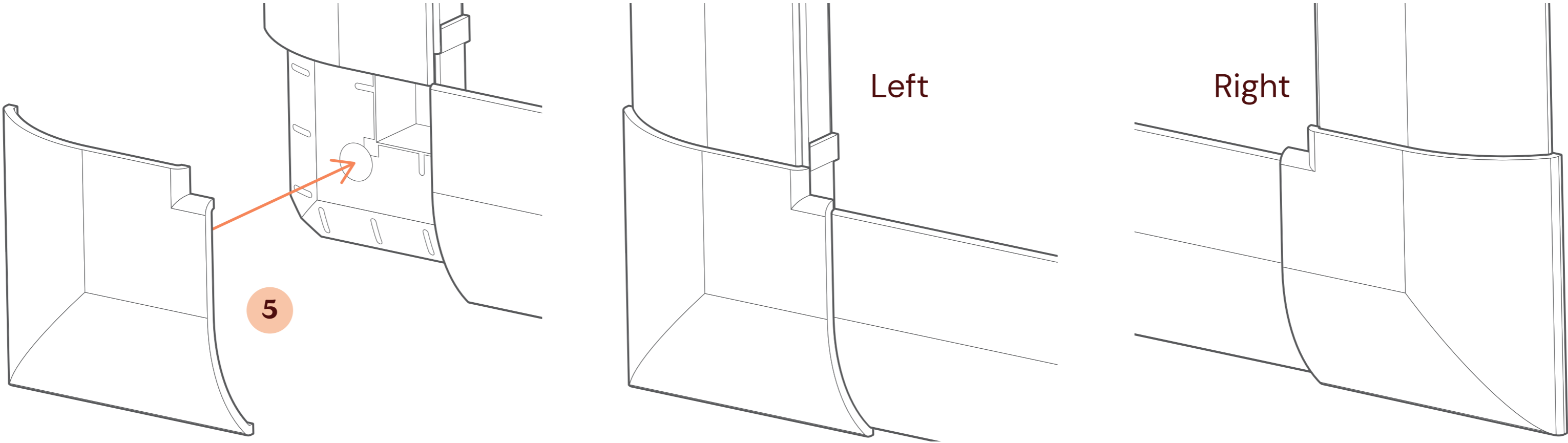
Section 2 *Assembling the Blind*



Now connect the bottom channel to the side channels using the corner connectors you already fitted (3).

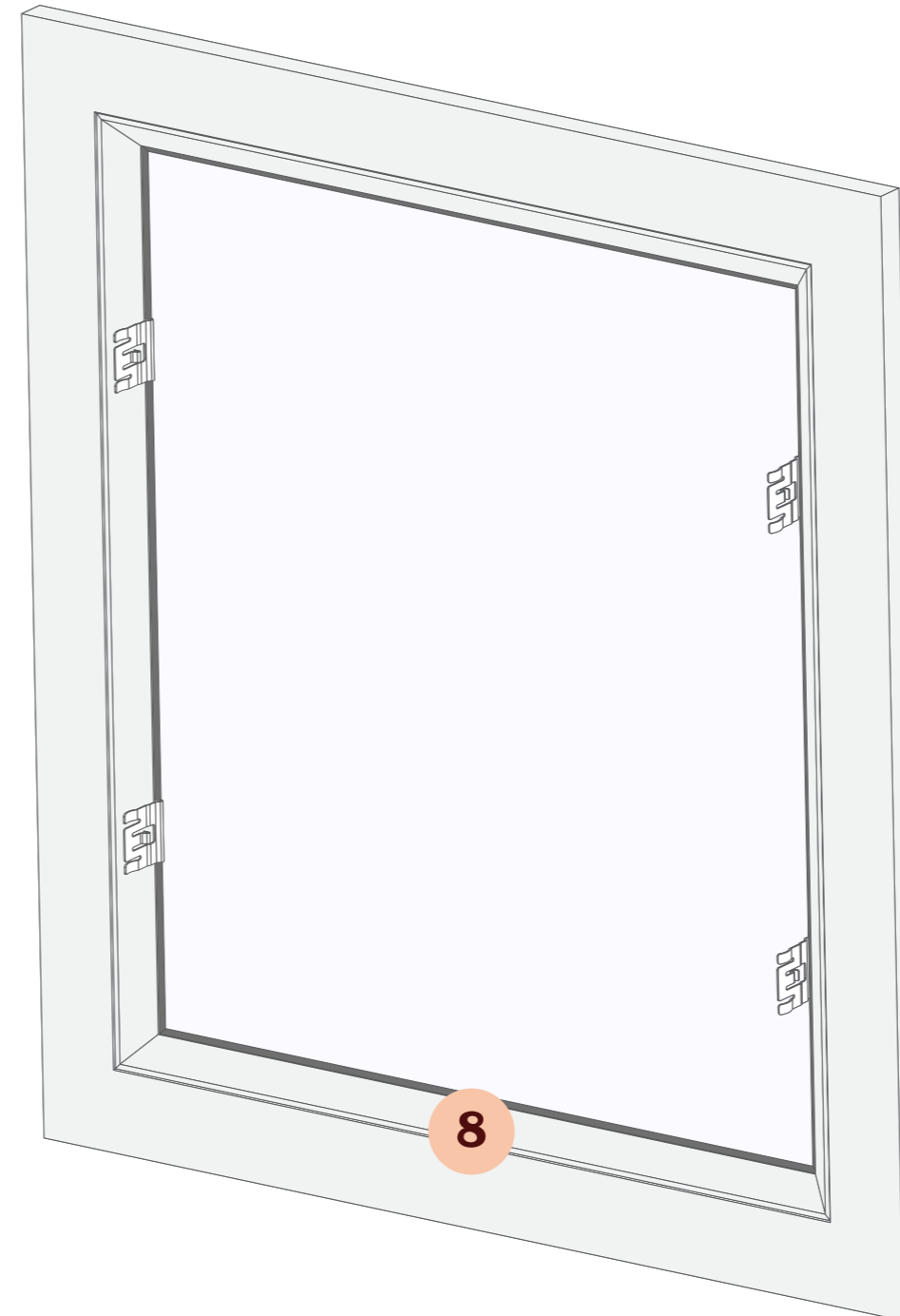
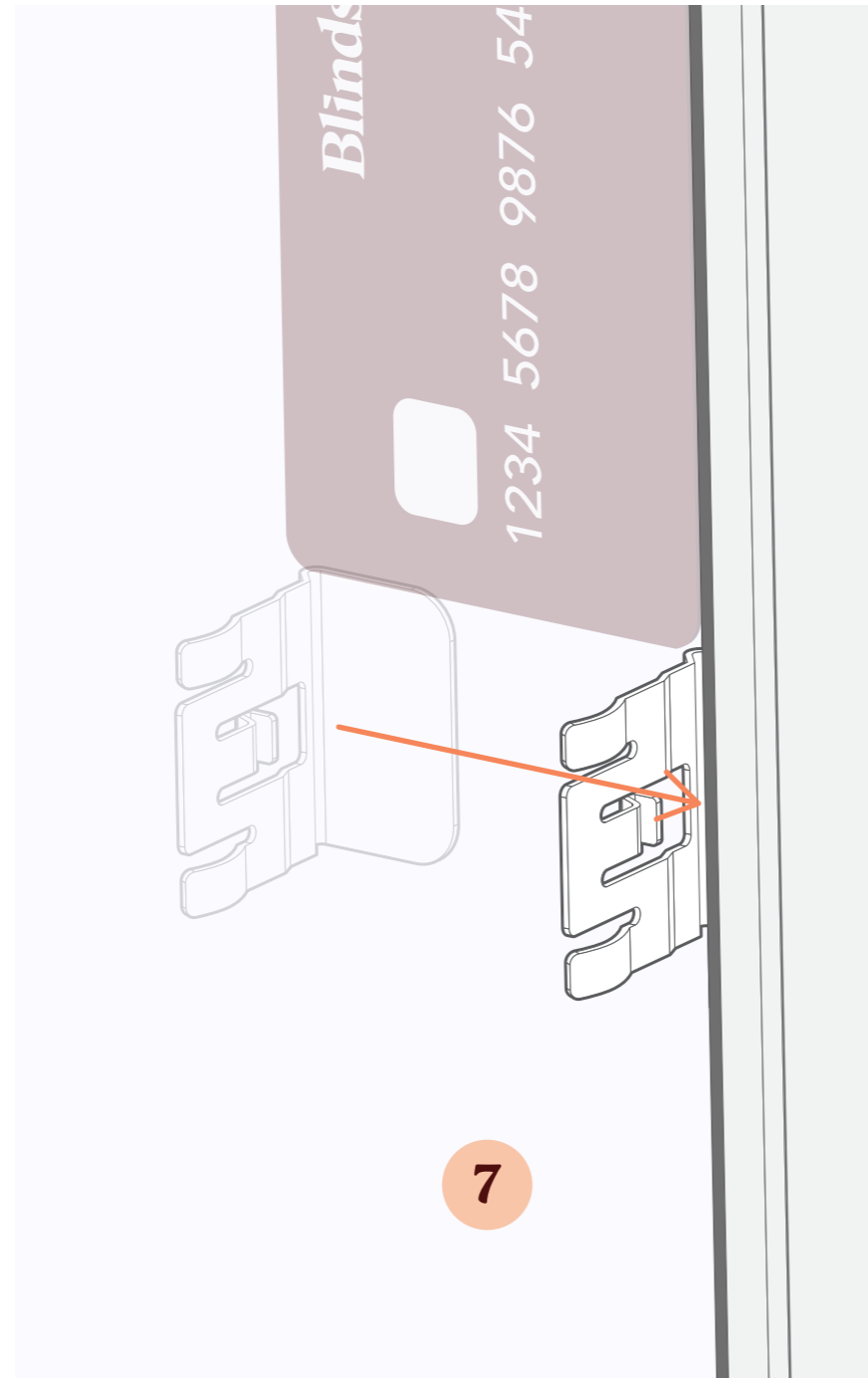
Again, the clips on the connectors should click into the holes near the bottom of the channels (4).

Section 2 *Assembling the Blind*



Clip the corner covers onto the bottom corner connectors to complete assembly (5).

Section 3 *Installing the Brackets*

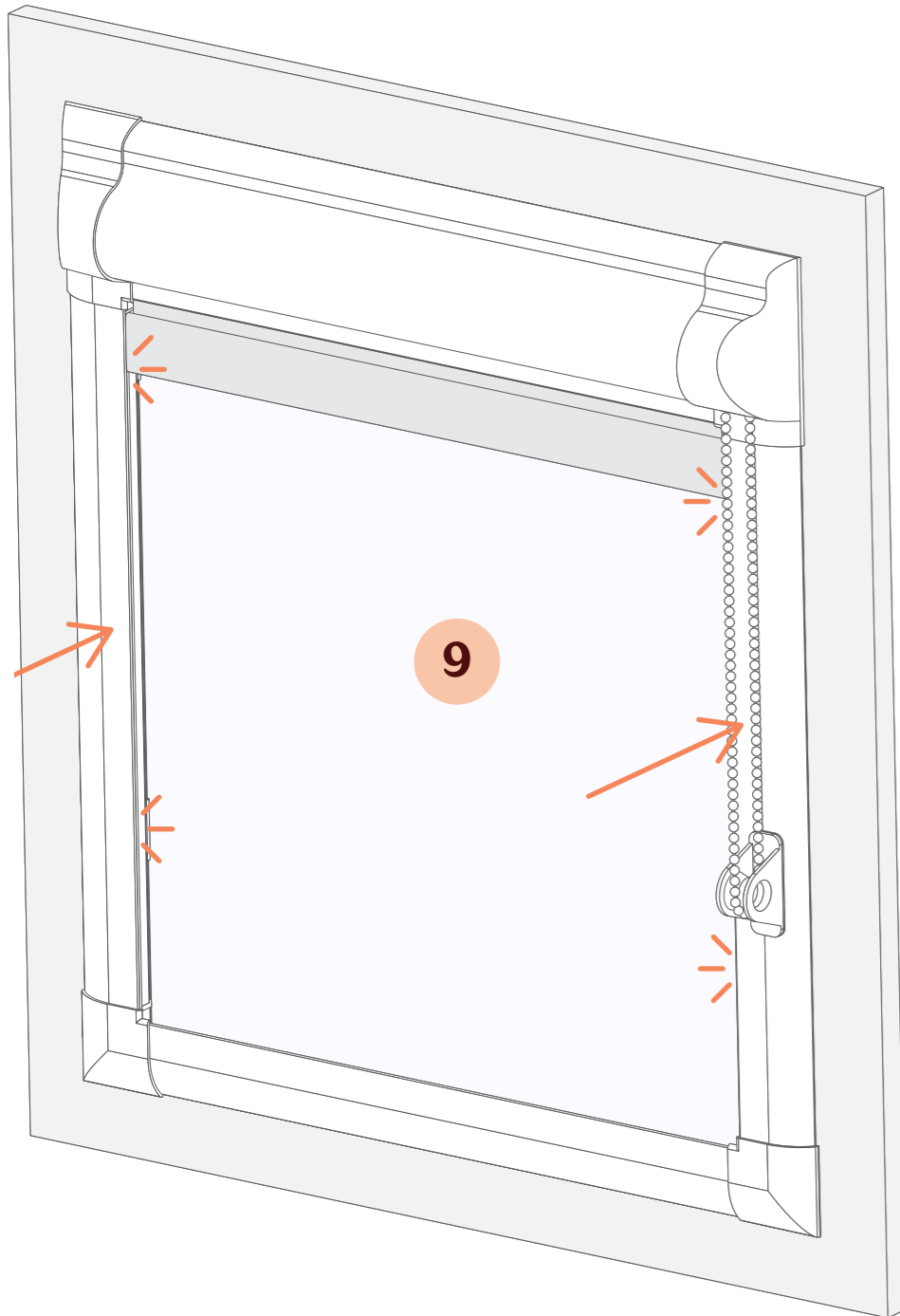


The mounting brackets will fit directly against the glass, slotted under the rubber seal around the edges of the glass. Positioning them correctly is easy – simply hold a standard bank or store card lengthways in the corner of the glass (6).

Line up the edge of the bracket with the bottom edge of the card, then slide it under the rubber seal as far as it will go (7).

Repeat for the other brackets (8).

Section 4 *Installing the Blind*



Raise the blind to the window and line up the bracket slots in the side channels with the brackets you installed. Push the blind back against the brackets until it snaps into place (9).

Look closely at where the frame has connected to the brackets and, if fitted correctly, you'll be able to see the small rounded clip on each bracket protruding through the slots on the side channels (10).



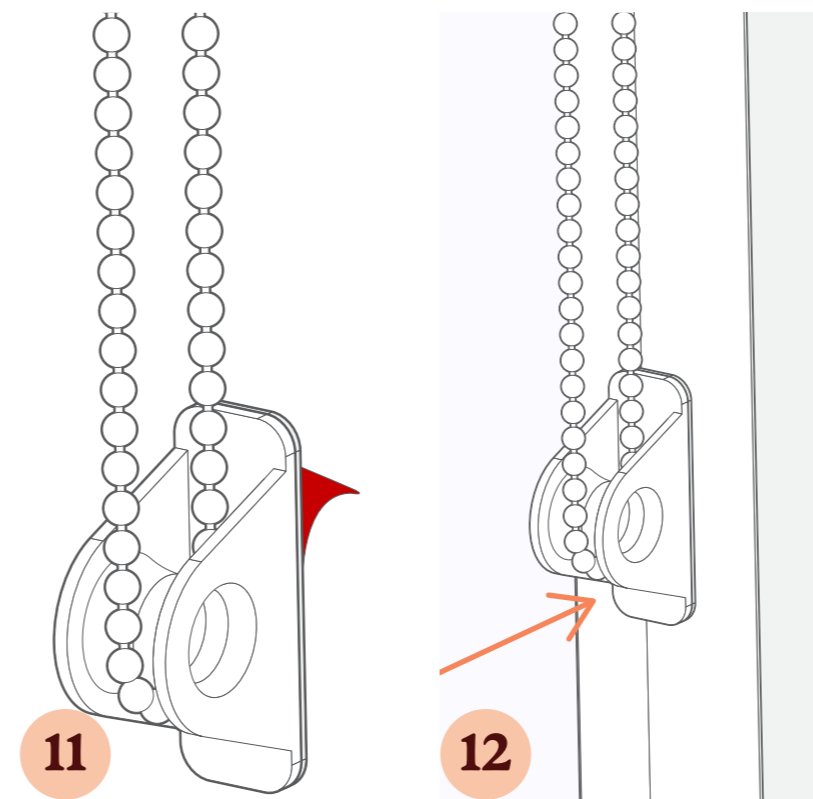
Young children can be strangled by loops in pull cords, chains, tapes and inner cords that operate the product.

To avoid strangulation and entanglement, keep cords out of the reach of young children. Cords may become wrapped around a child's neck.

Move beds, cots and furniture away from window covering cords.

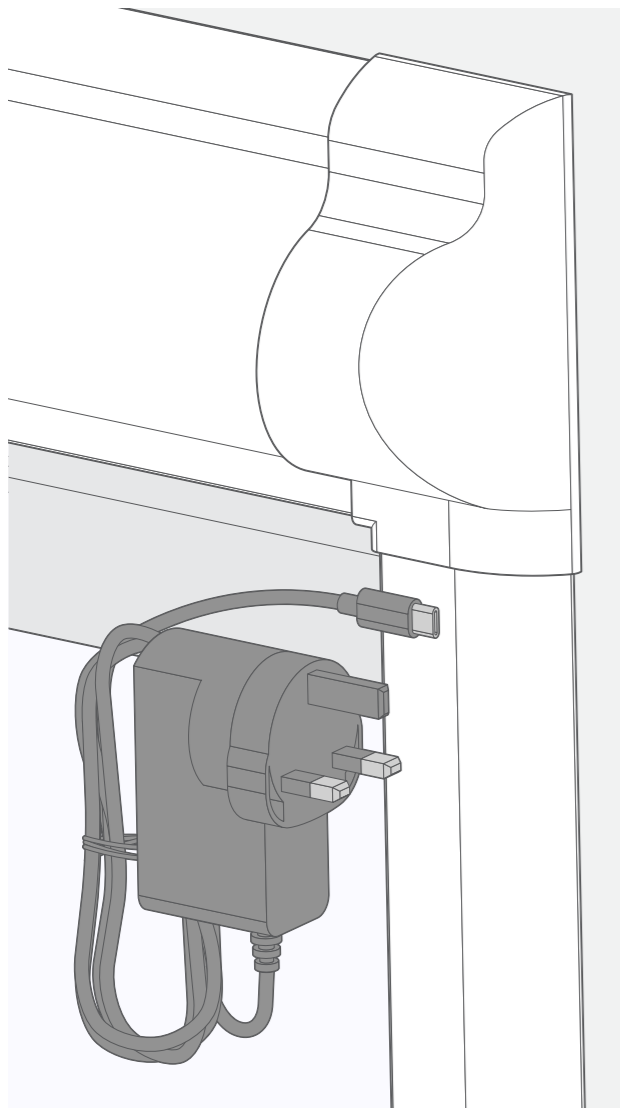
Do not tie cords together. Make sure cords do not twist and create a loop.

If you upgraded to electric, please skip this page



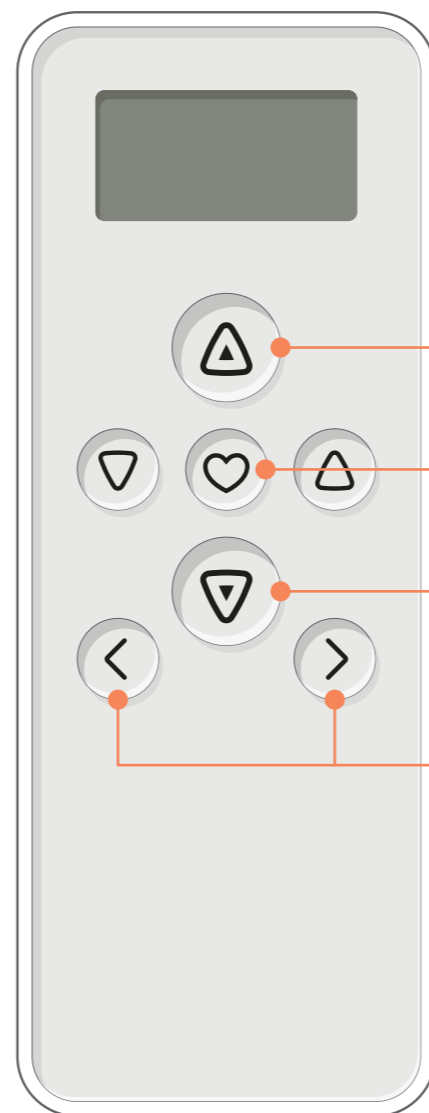
Lastly, install the child-safety clip on the frame. Peel the cover from the adhesive pad on the back of the clip (11) then, keeping the control chain taut, press the clip back against the window frame and hold for 30 seconds until it adheres (12).

And that's it! Your beautiful new blind is installed and ready to enjoy.



We recommend charging the blind's motor for around 2.5hrs before use, to make sure it's fully charged.

Please do not charge for any longer than this at any point, to avoid risk of overcharging and damaging the motor's battery.

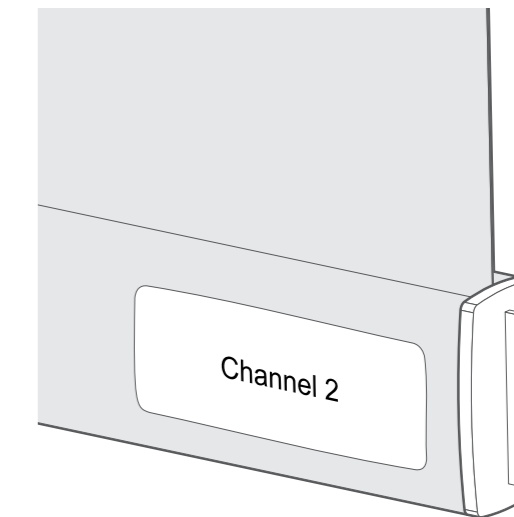


Raise blind

Stop

Lower blind

Channel select



The remote will be paired to your blinds already so you can simply use the channel select button to switch between blinds when using the remote.

Each blind will be labelled with its channel on the back of the fabric.

Recycle your electrical and electronic devices free at your local recycling centre. To find your nearest centre, visit the [Recycle More](#) website and type in your postcode.



Blinds2Go Ltd is part of the DTS scheme.