

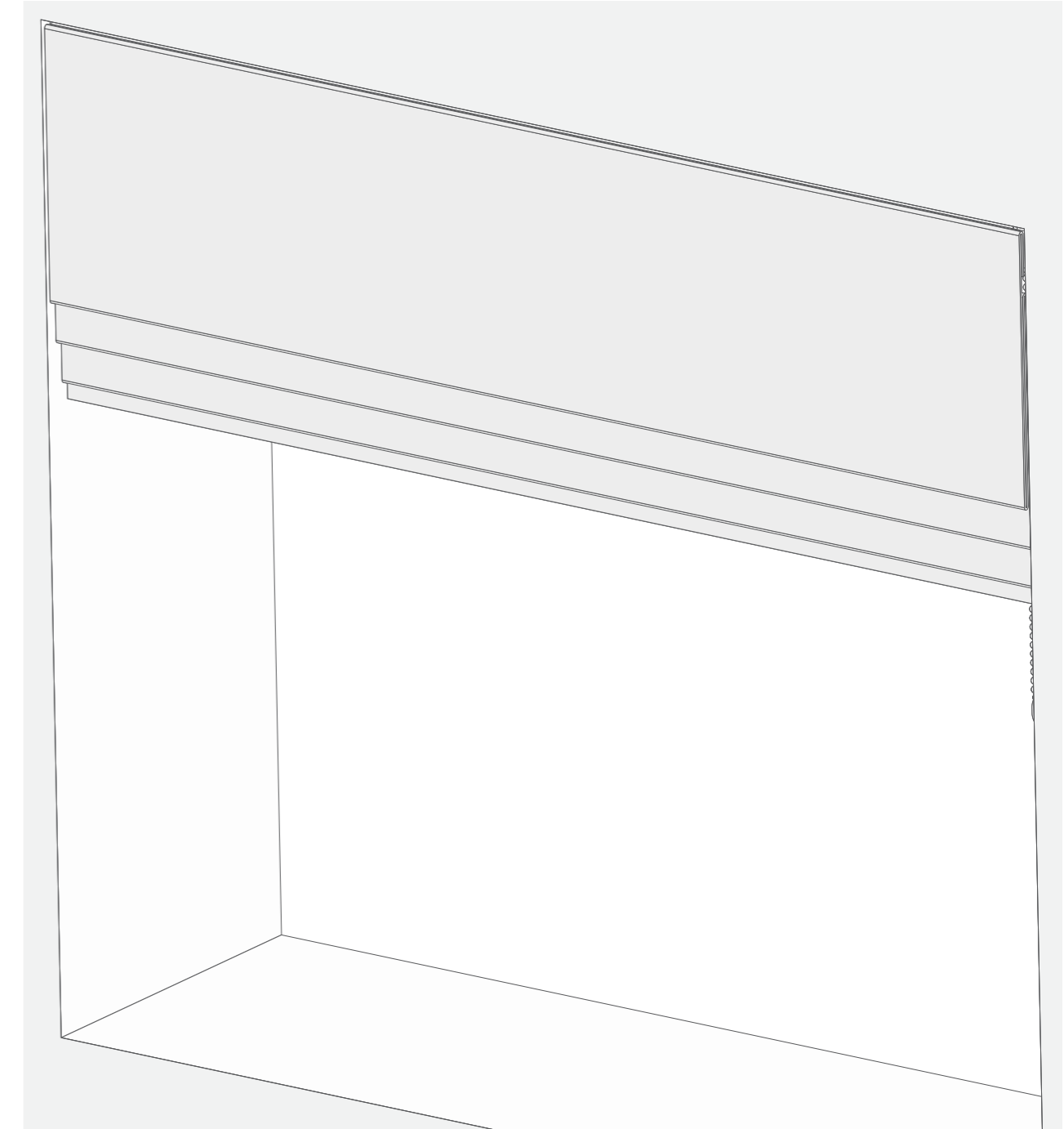
### Turn your phone or tablet

Our guides are best viewed in landscape if you're viewing on your phone or tablet.

### Designed for *DIY*

Our Roman Blinds are designed to be installed by you, without specialist fitters, even if you don't have much DIY experience.

**Please read each page of this guide carefully during installation, following along one step at a time.**



*Electric Upgrade Only*

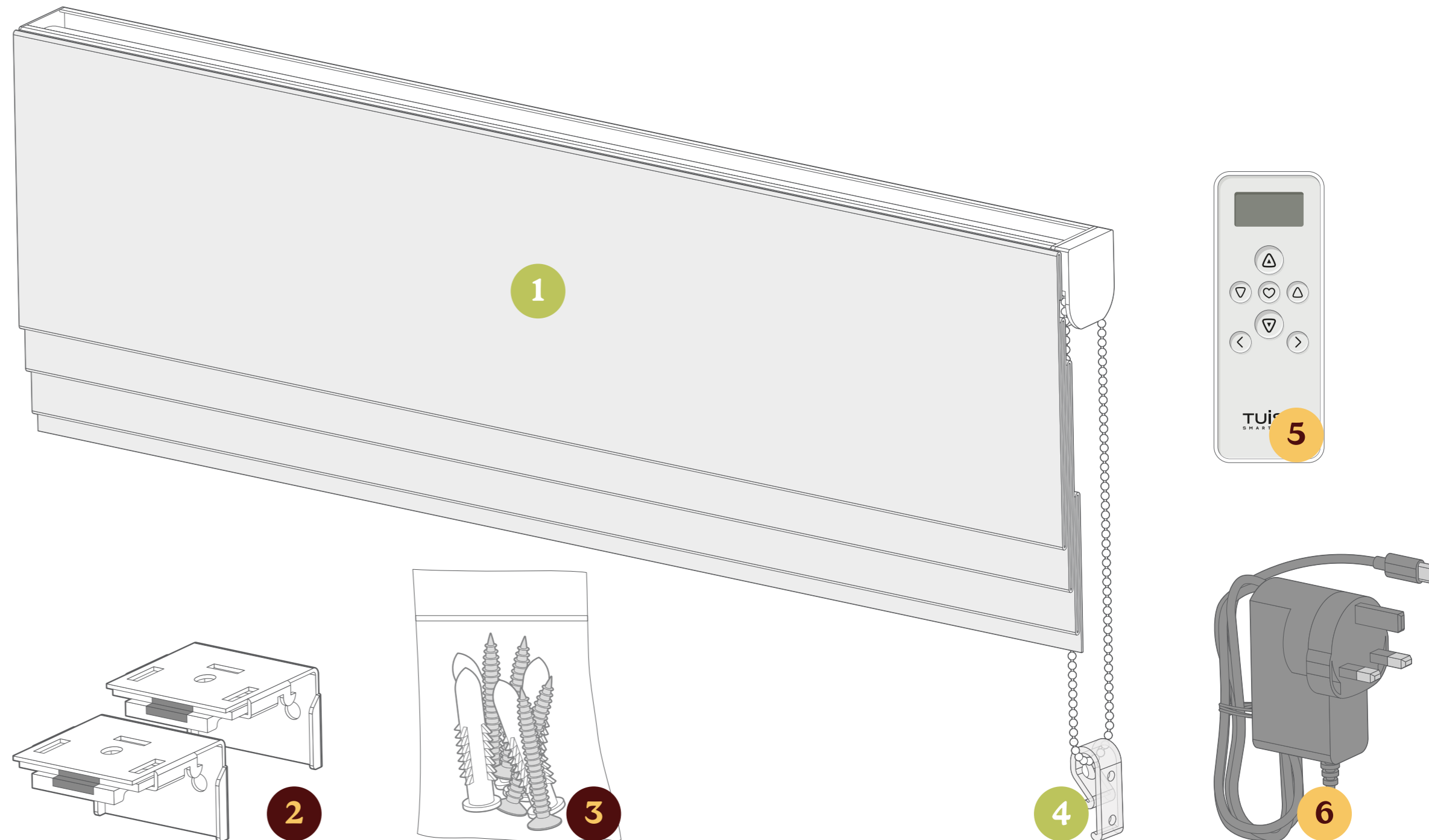
*Not Applicable for Click2Go Blinds*

## Tools required for this install:

- ✓ Handheld drill
- ✓ 4mm masonry drill bit
- ✓ Phillips screwdriver / driver bit
- ✓ Mallet / hammer
- ✓ Pen / pencil

## Parts included in your order:

- |                       |                     |
|-----------------------|---------------------|
| 1 Roman Blind         | 2 Mounting brackets |
| 3 Screws & wall plugs | 4 Child safety clip |
| 5 Remote control      | 6 Plug-in charger   |



## Section 2 *Installing the Brackets*

*If you upgraded to Click2Go no-drill fitting, please skip to section 4*

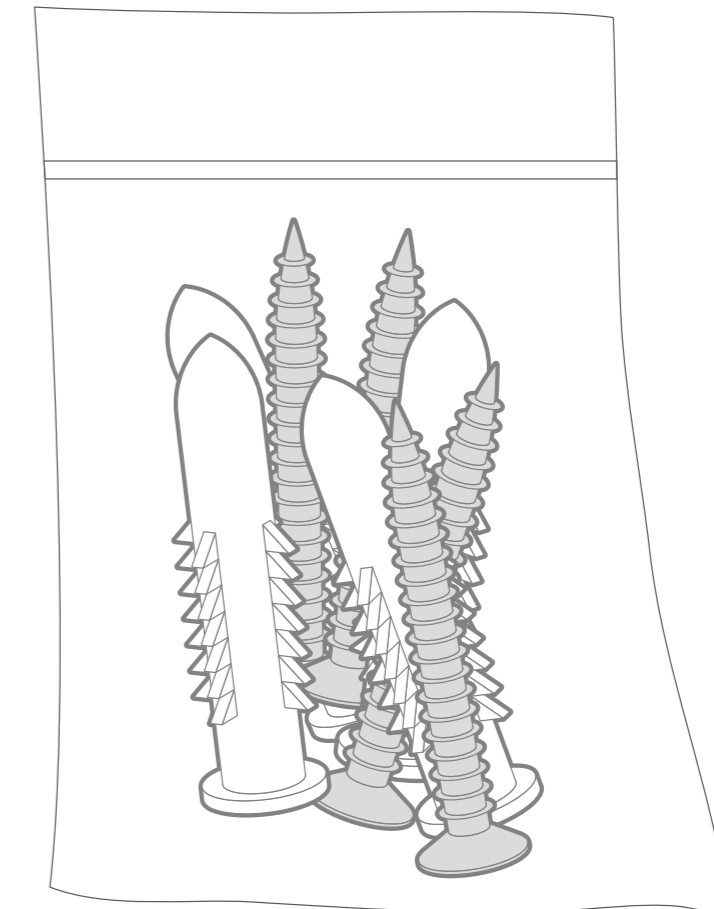
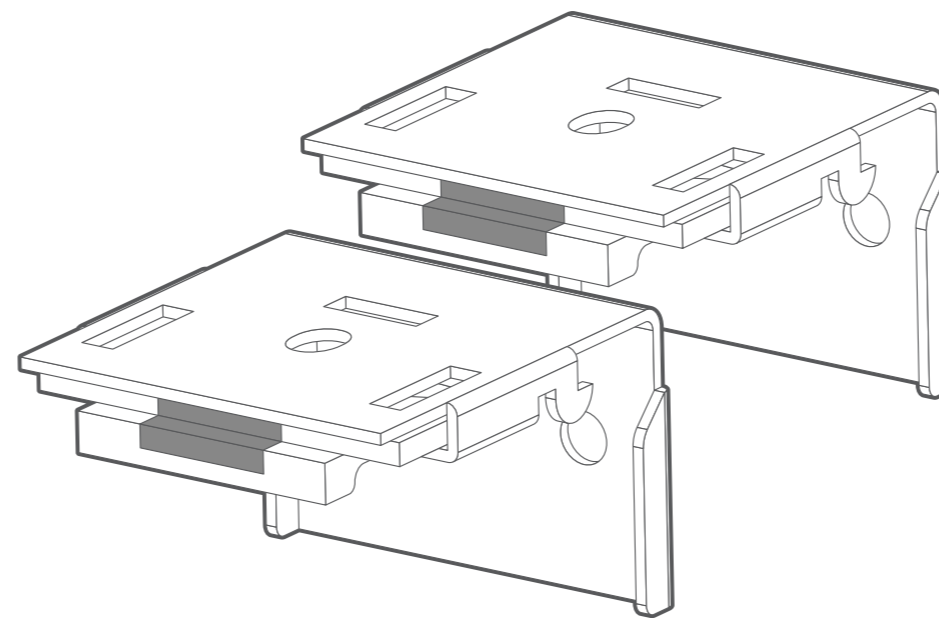
### **Tools required for this section:**

- ✔ Handheld drill
- ✔ 4mm masonry drill bit
- ✔ Phillips screwdriver / driver bit
- ✔ Mallet / hammer
- ✔ Pen / pencil

### **Parts required for this section:**

**Mounting brackets**

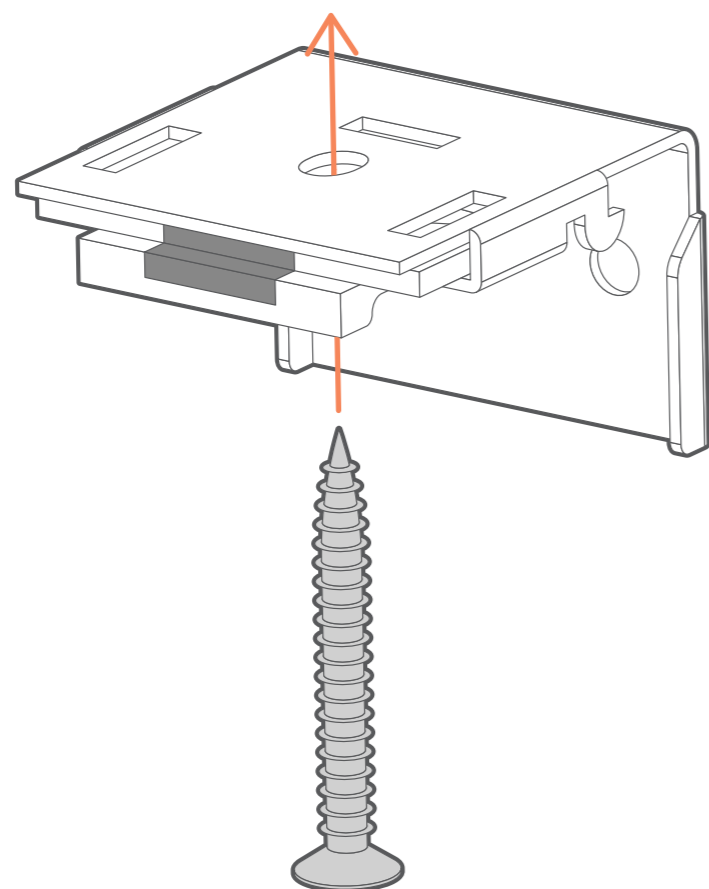
**Screws & wall plugs**



## Section 2 *Installing the Brackets*

First, choose the method you'll be using to install your brackets:

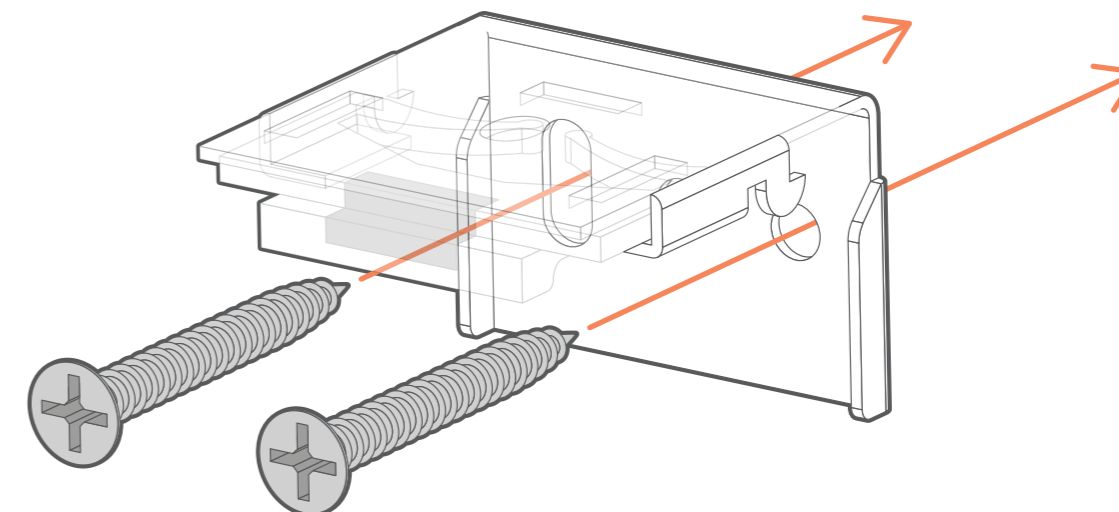
### Inside the recess



#### Top fixing

Screw the brackets into the top of the recess.

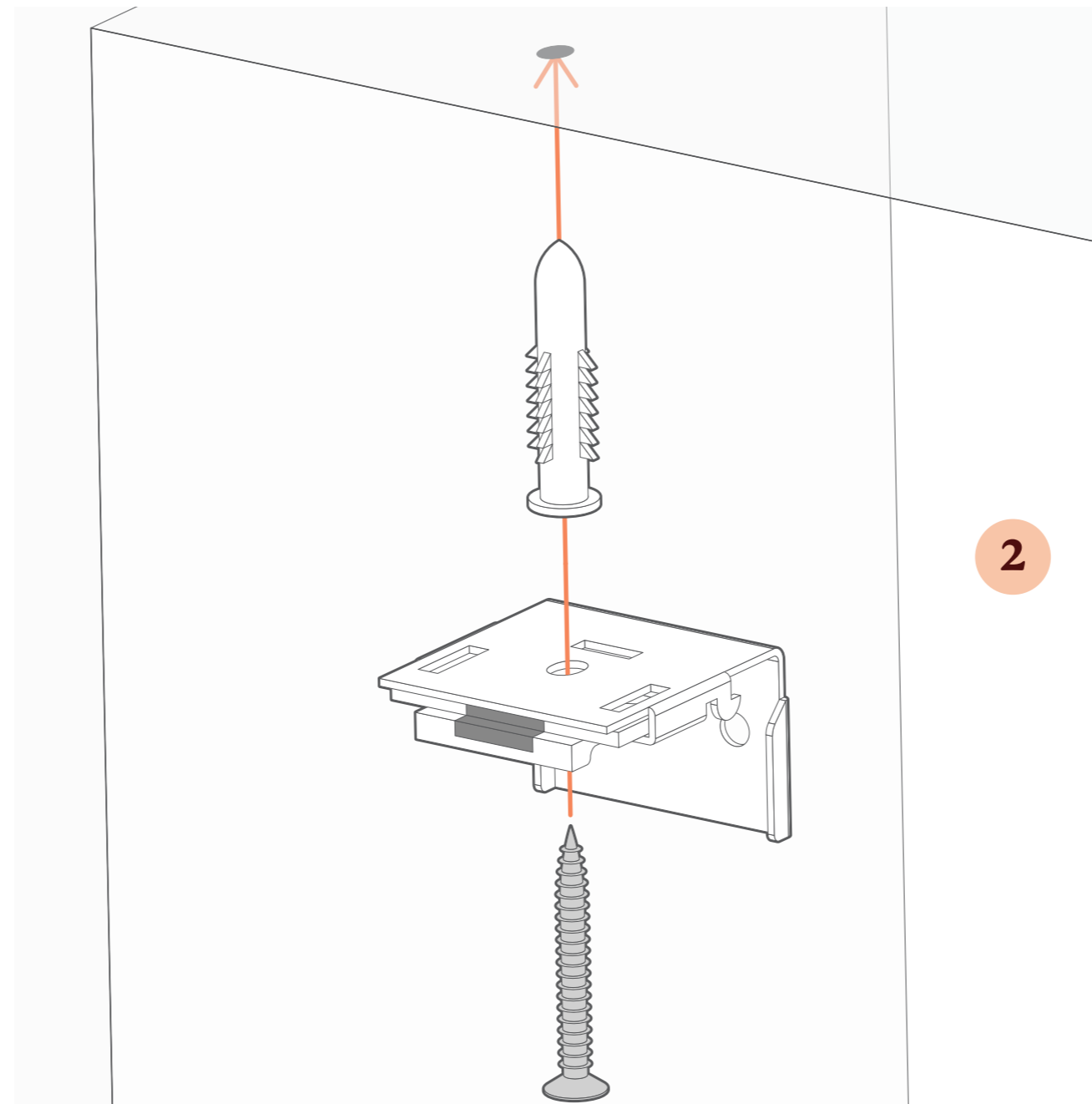
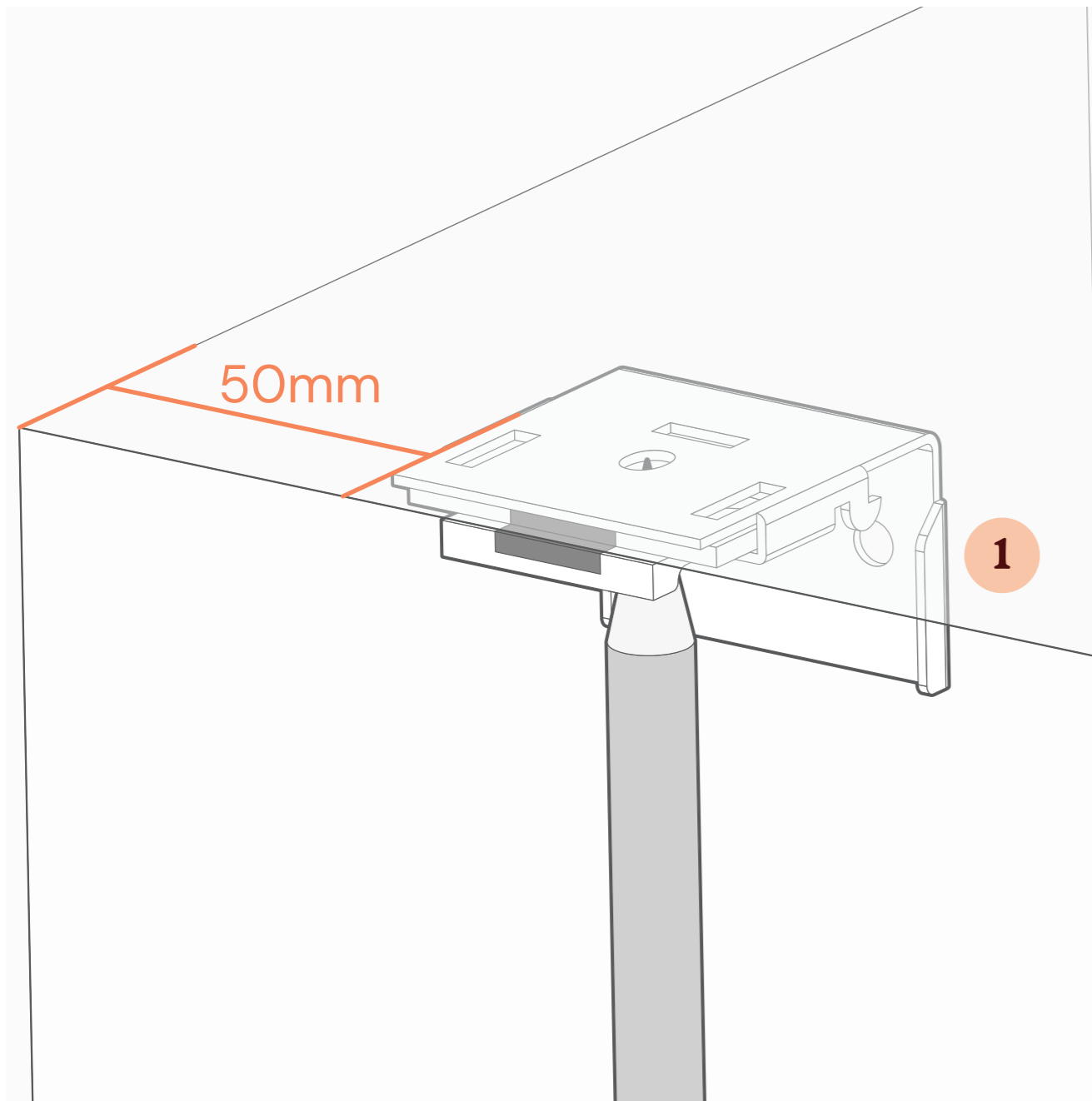
### Outside the recess



#### Face fixing

Screw the brackets into the wall above the recess.

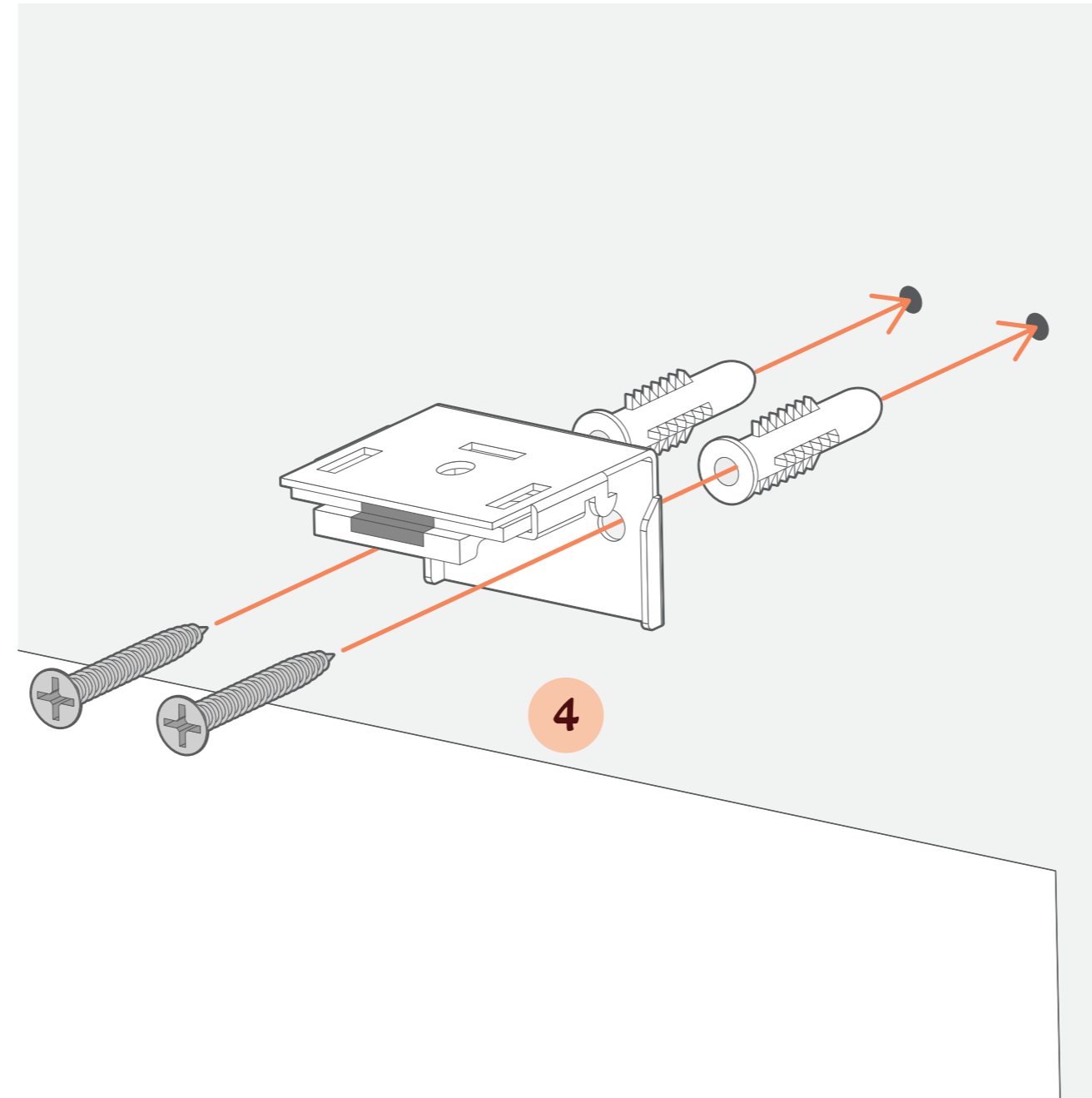
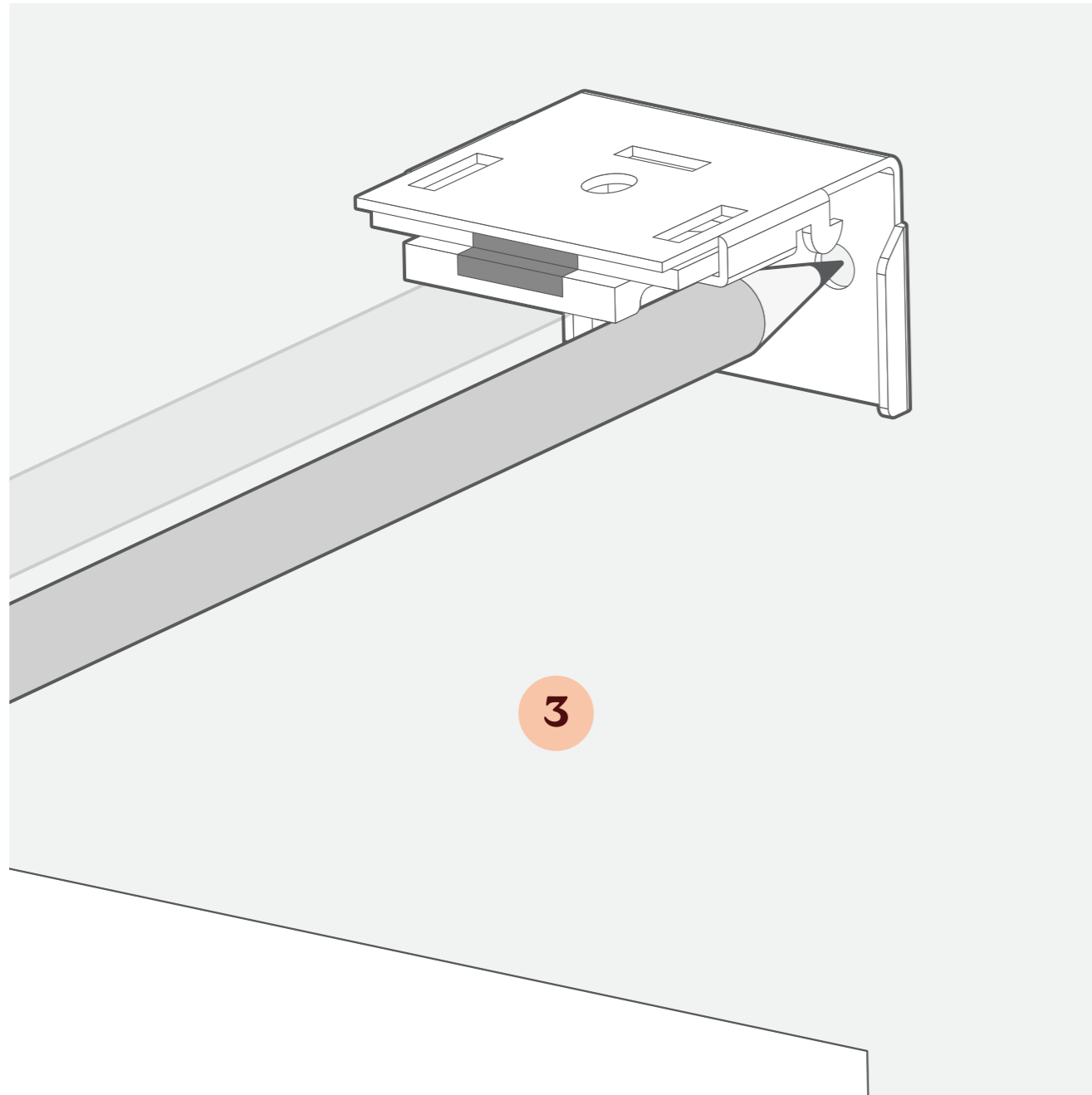
## Section 2 *Installing the Brackets - Top-Fixing*



Hold the brackets in position up against the top of the recess and mark the locations of the screw holes on each bracket with a pen or pencil (1). The far left and right brackets should be at least 50mm in from the sides of the recess, with any additional brackets spaced evenly between them.

Drill a hole at each mark, then use the screws and wall plugs provided to secure the brackets in place (2).

## Section 2 *Installing the Brackets - Face-Fixing*

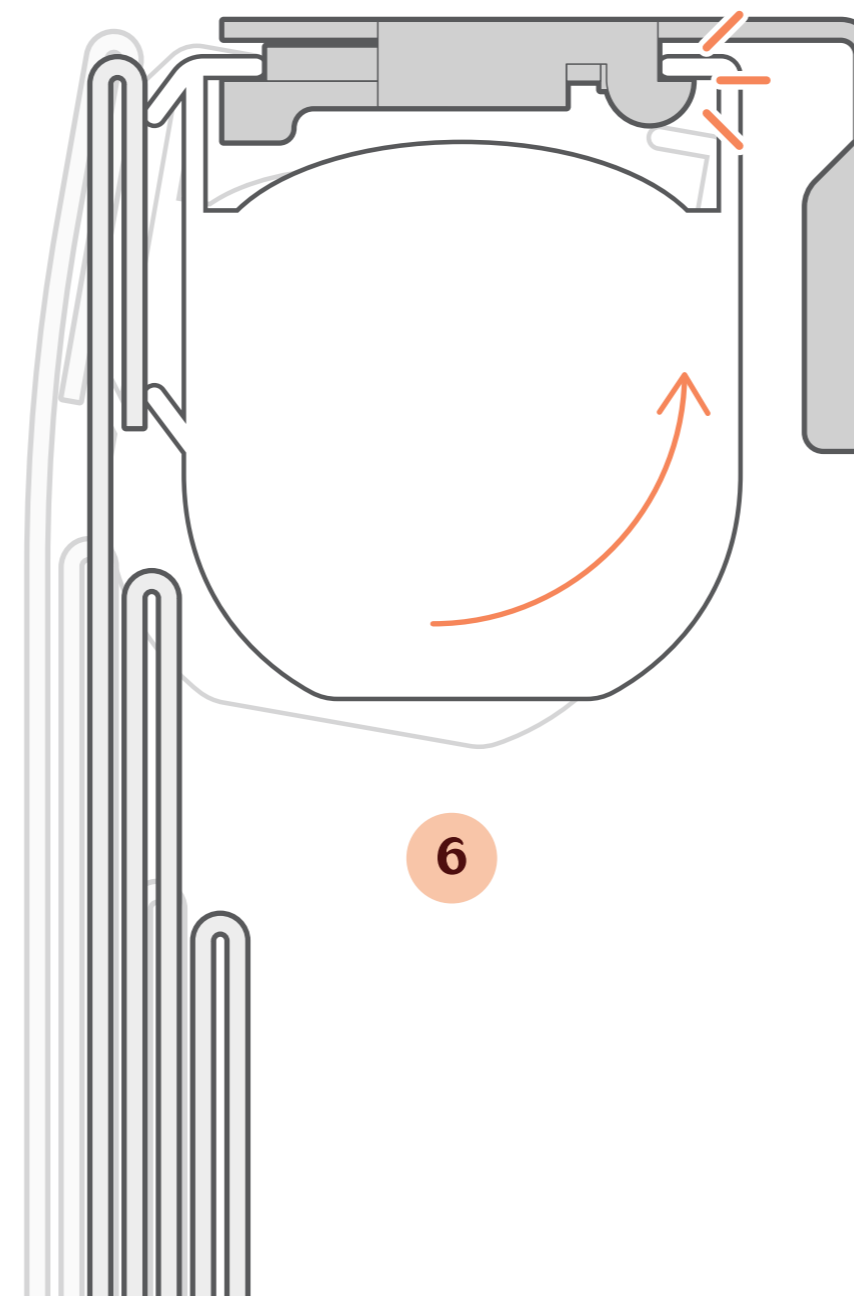
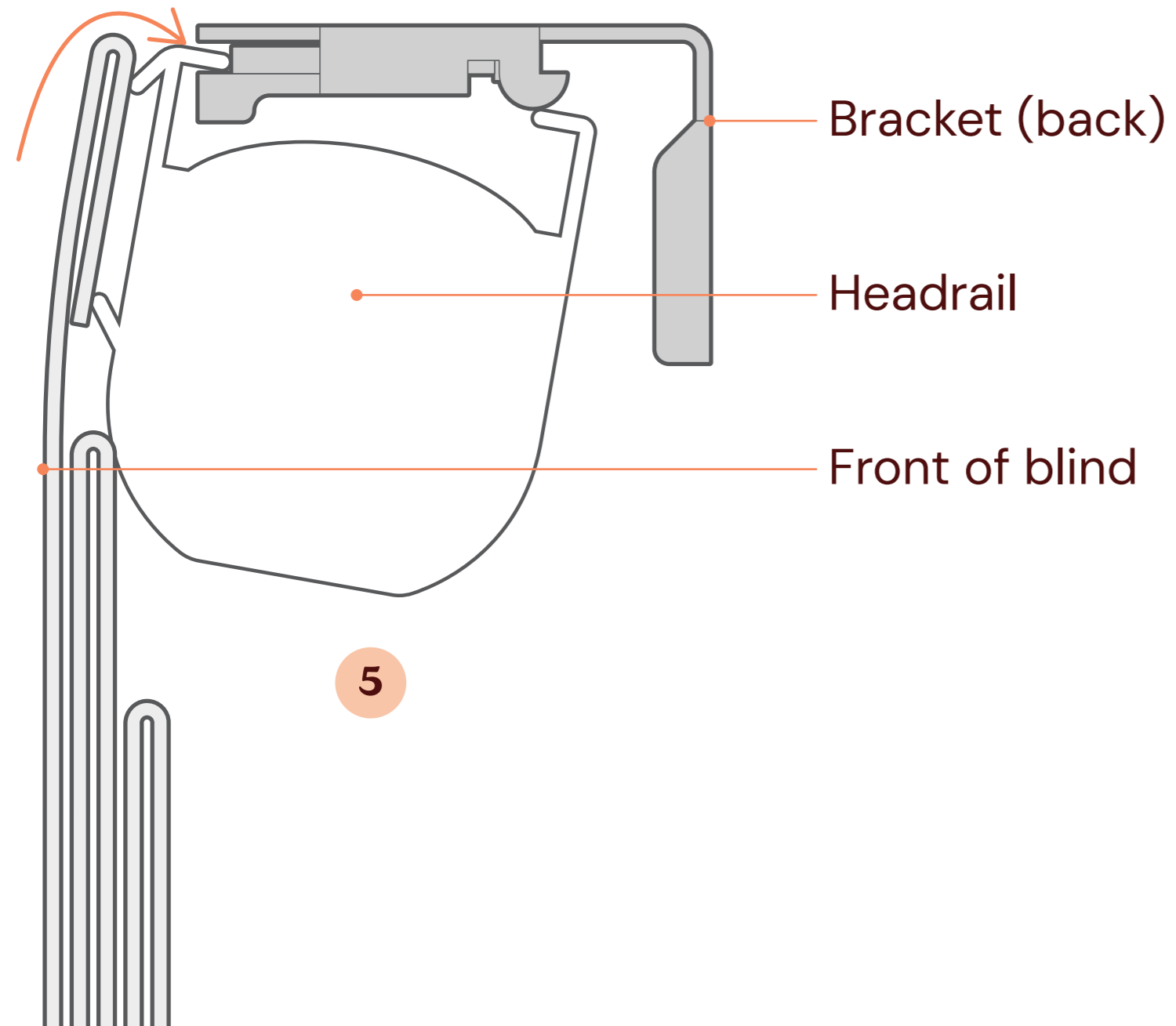


Hold your brackets up against the wall in the area you'll be fitting them. This should match where you took your measurements when you measured for exact fitting. Mark each of the rear screw holes with a pen or pencil (3).

Drill a hole for each mark, then use two screws and wall plugs per bracket to secure them (4).

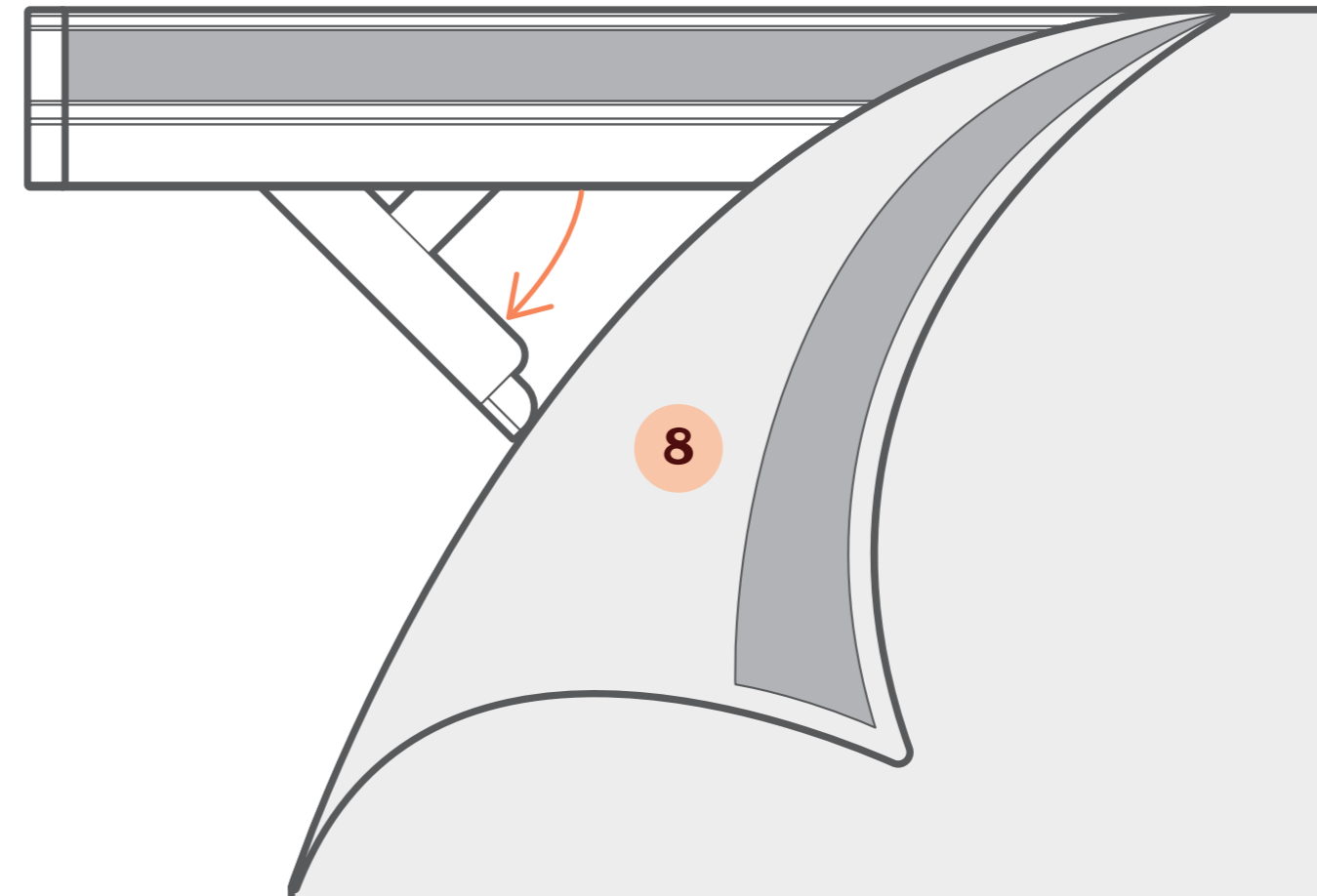
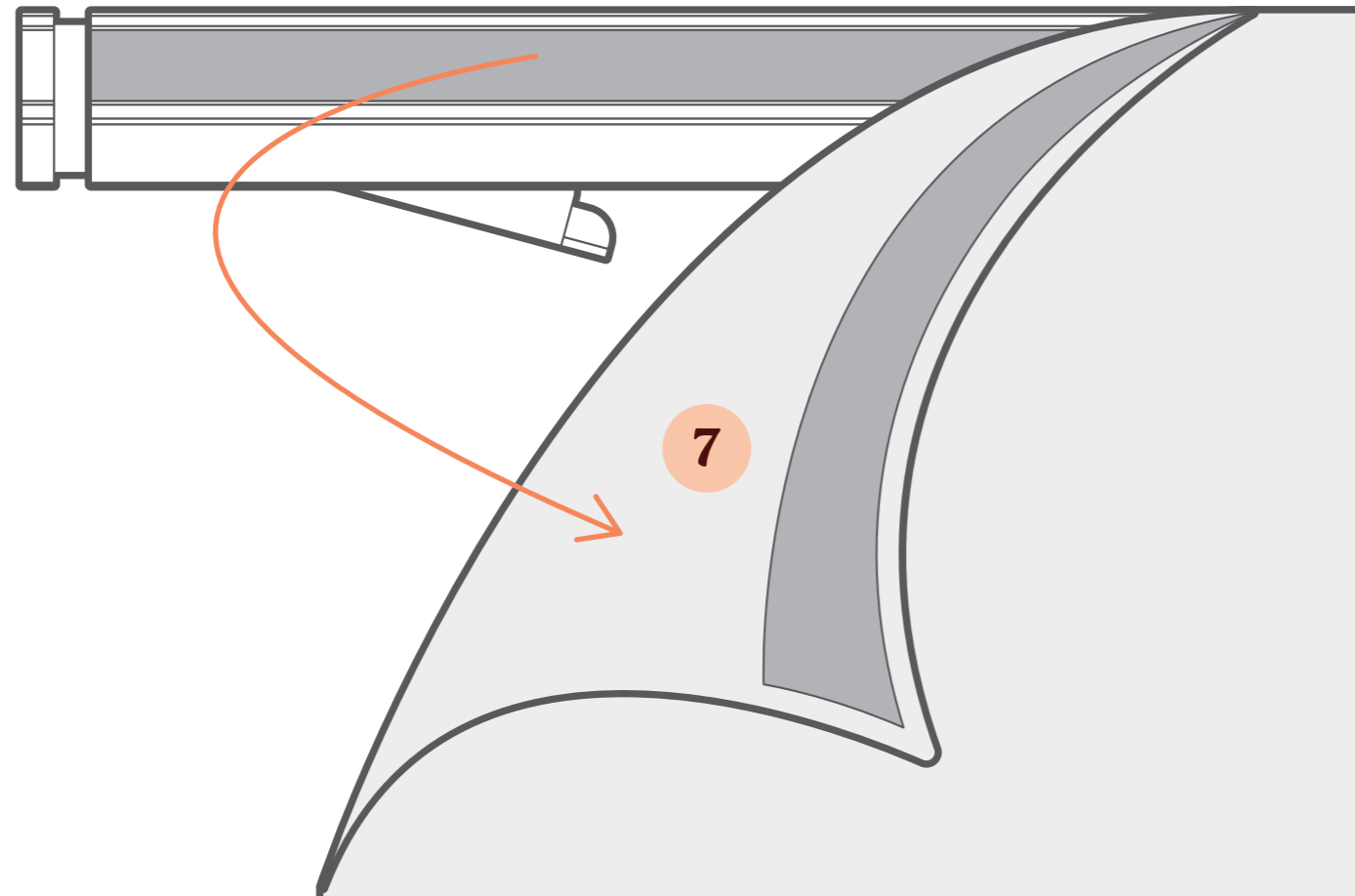
## Section 3 *Installing the Blind - Standard Fitting*

*If you upgraded to Click2Go no-drill fitting, please skip to section 4*



A 'lip' is visible along the top of the blind's headrail, one at the front and one at the back. Hook the front lip over the front hook of the brackets (5).

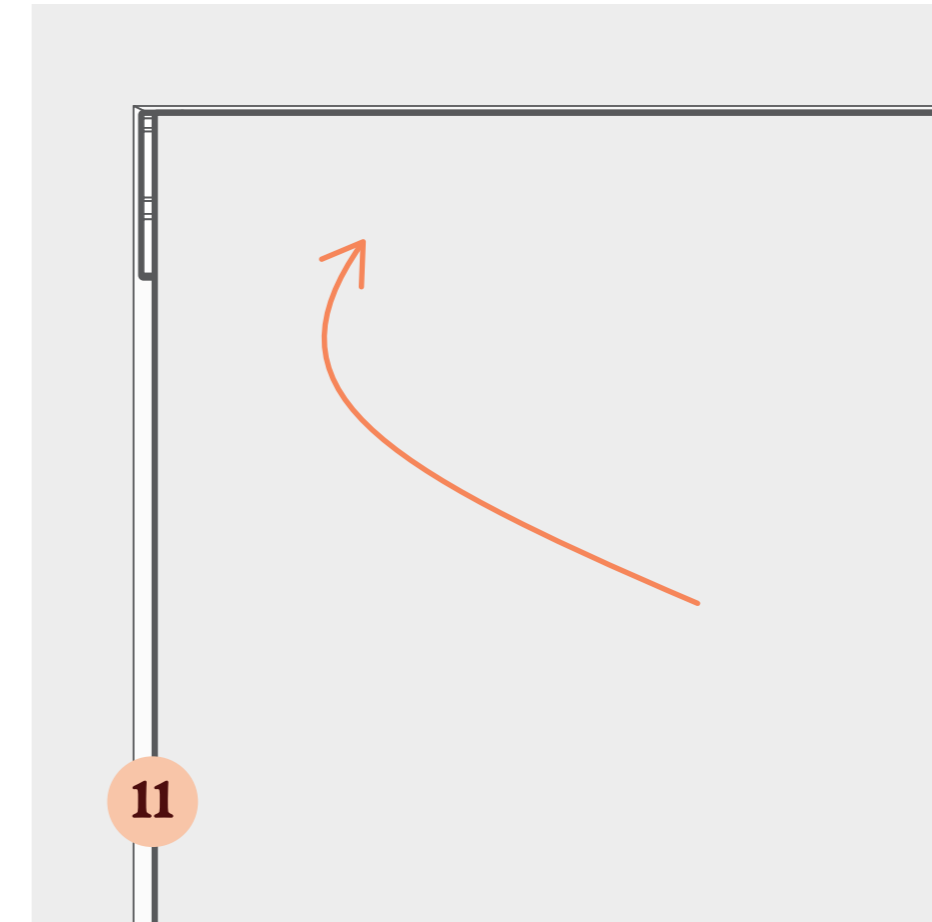
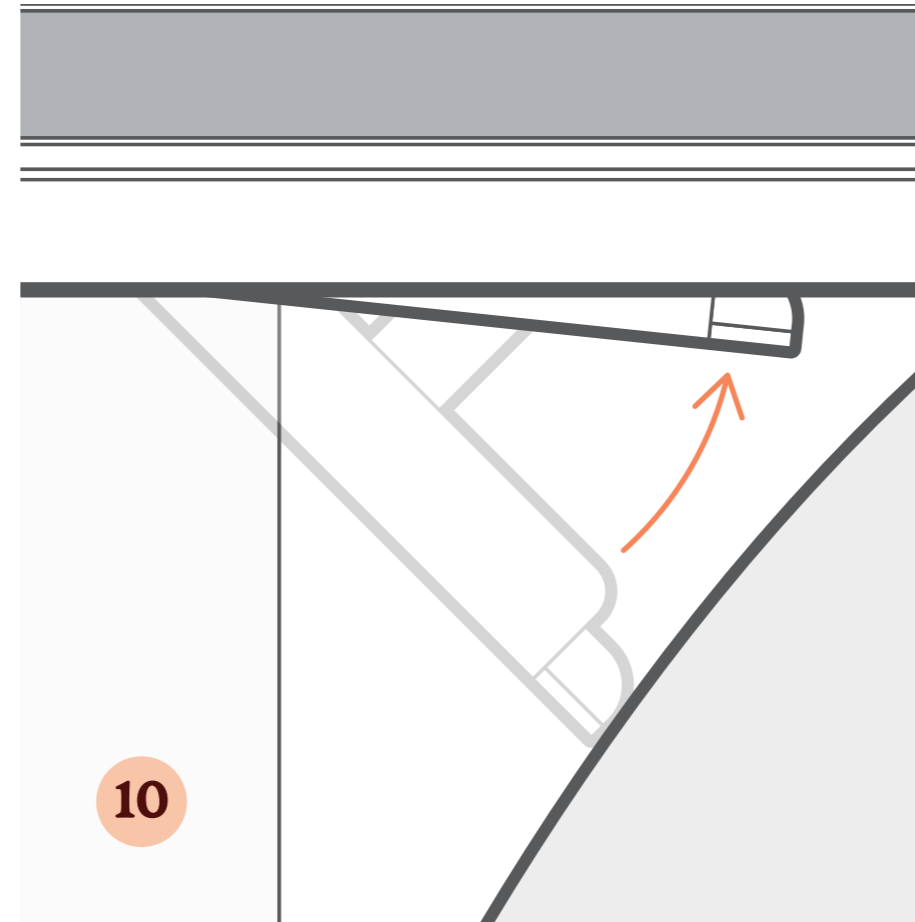
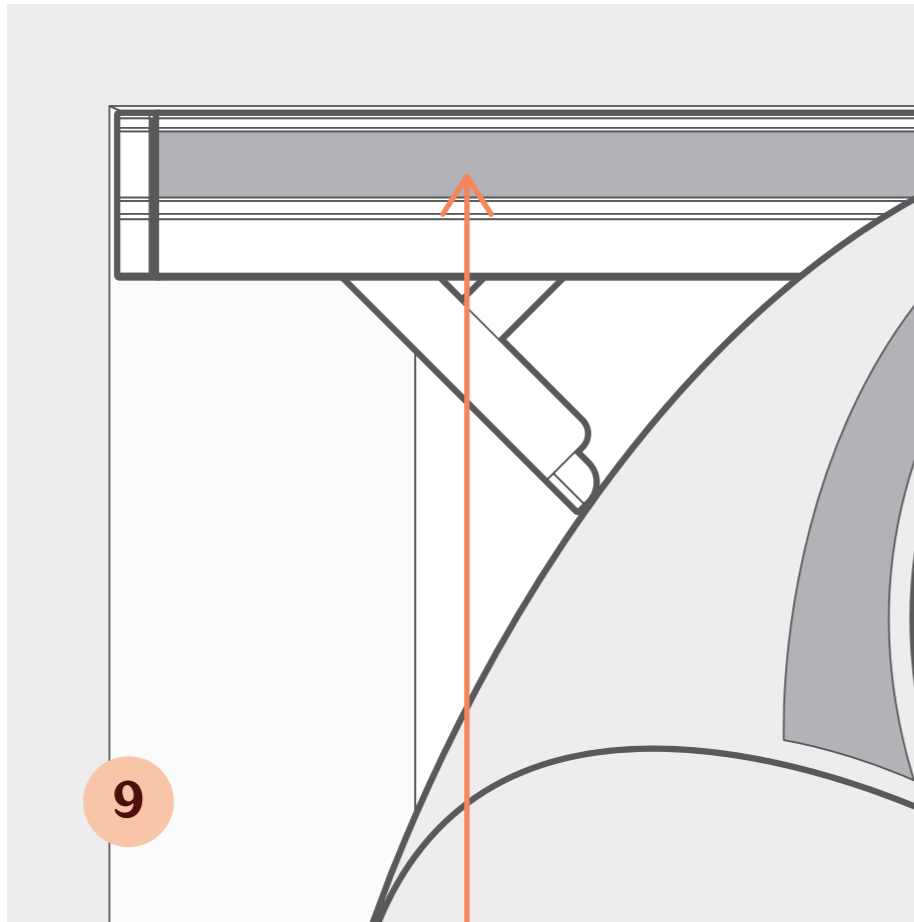
Push back against the blind and raise the back of the headrail, pushing up until it snaps into place on the rear hook of the brackets (6).



The fabric is attached to the front of the rail with Velcro. Peel the corner away from the end opposite to the controls, until you can access the tension lever under the rail (7).

Make sure that the tension lever is loose (8), and the pressure pad section is flush with the rail, before trying to place the blind inside the recess, otherwise it will be too wide to fit in initially.

## Section 4 *Installing the Blind - Click2Go No Drill Fitting*



Raise the blind into the recess and straighten it up so the top is flush with the top of the recess (9).

Holding the blind in position, push the lever firmly upwards until it locks into place in the underside of the rail (10).

Press the fabric back into place on the front of the rail to finish (11).

## Section 5 Child Safety

# WARNING



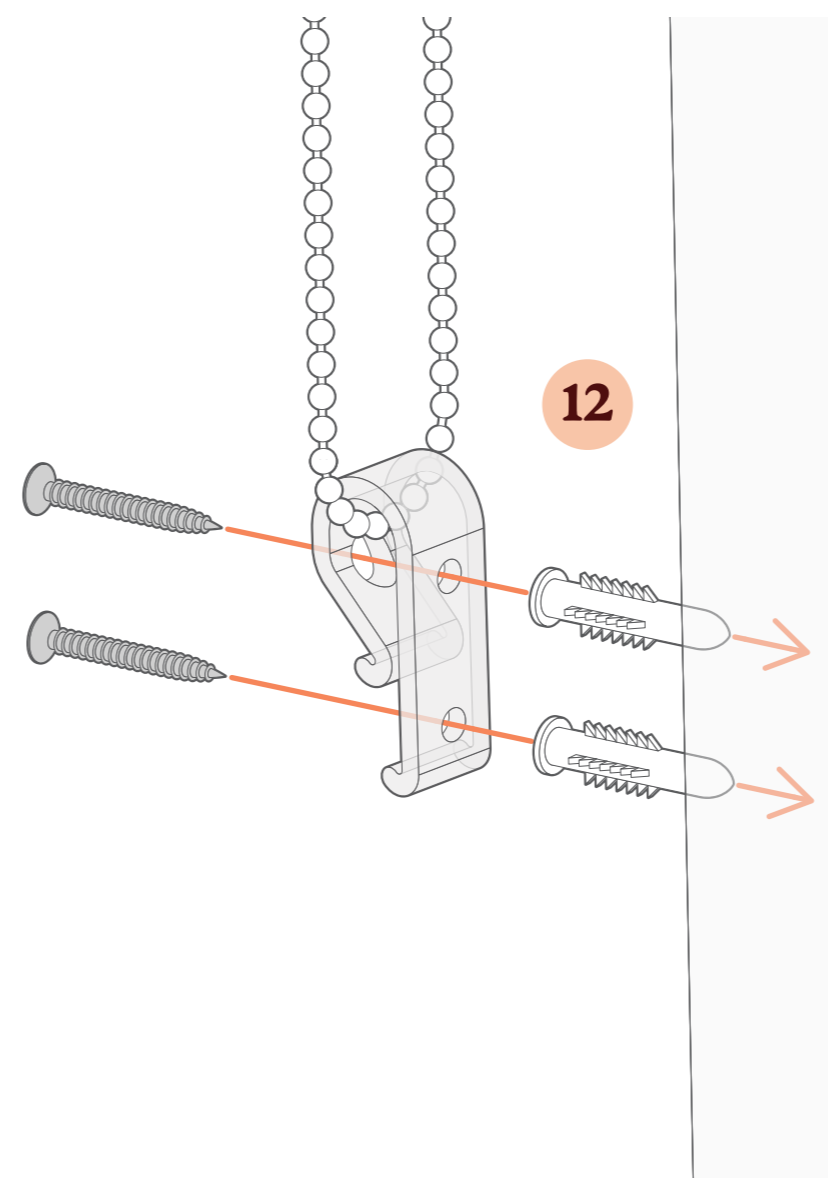
Young children can be strangled by loops in pull cords, chains, tapes and inner cords that operate the product.

To avoid strangulation and entanglement, keep cords out of the reach of young children. Cords may become wrapped around a child's neck.

Move beds, cots and furniture away from window covering cords.

Do not tie cords together. Make sure cords do not twist and create a loop.

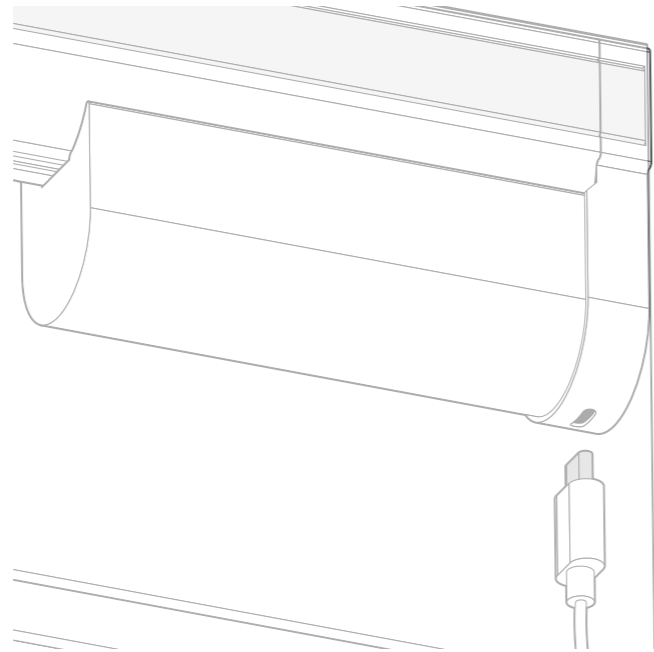
*If you upgraded to electric, please skip this page*



A child safety clip is provided, which is clipped onto the control cord already.

Holding the cord taut, mark the position of the clip on the wall with a pen or pencil, then drill your screw holes and use the fixings provided to secure the clip in place (12).

**And that's it! Your beautiful new blind is installed and ready to enjoy...**



Once your blinds are installed we recommend plugging in the motor for each, to allow it to fully charge before use. Plug the charging cable (included) into the motor charging port and allow to charge until the LED on the charger plug turns green. Do not over-charge, as this can damage the battery.



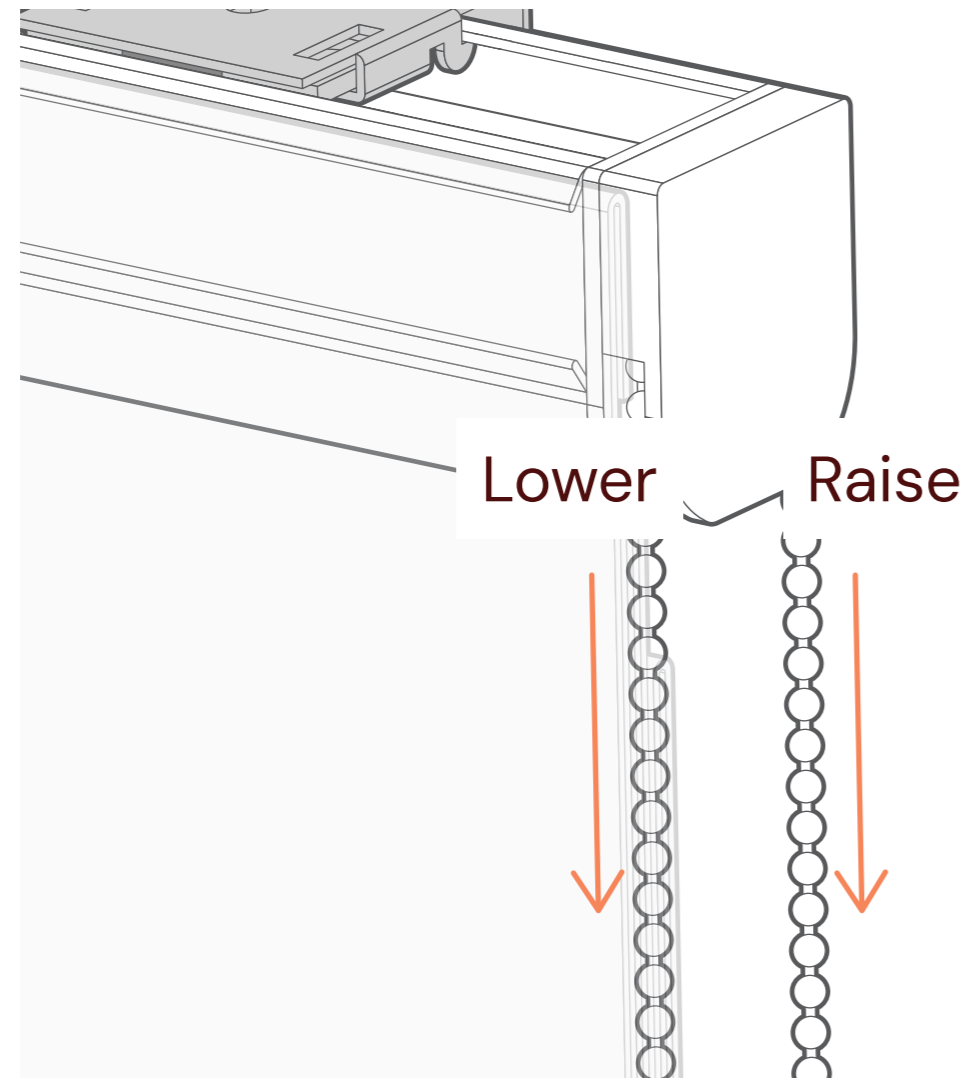
On the front of the swing tag that comes with each blind, you'll find a handy QR code you can scan with your phone. Scan this to download the SmartView app – you'll be setting up your blinds in moments!

Recycle your electrical and electronic devices free at your local recycling centre. To find your nearest centre, visit the [Recycle More](#) website and type in your postcode.

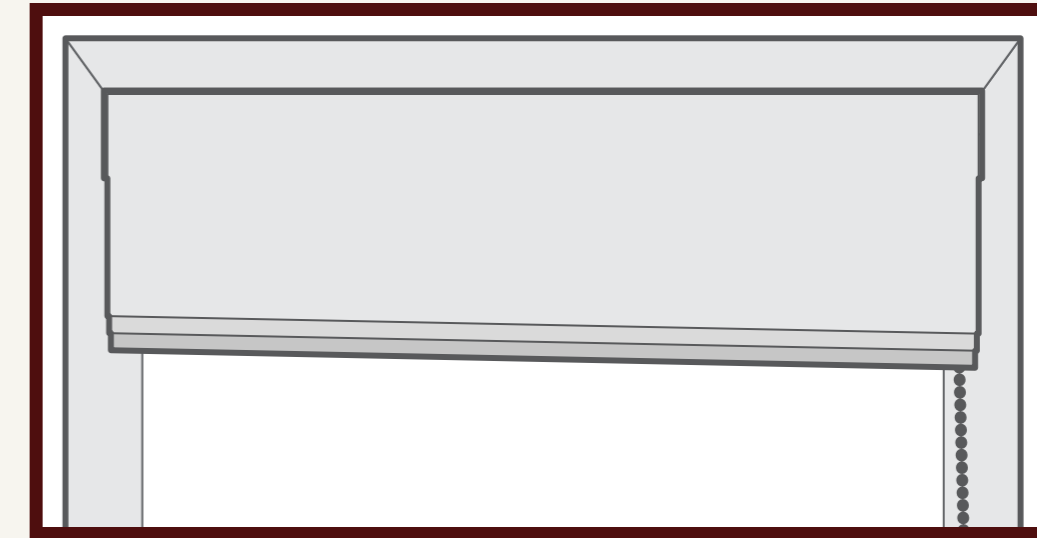
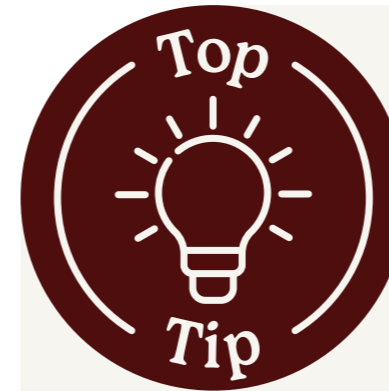


Blinds2Go Ltd is part of the DTS scheme.

*Not applicable for SmartView electric blinds*



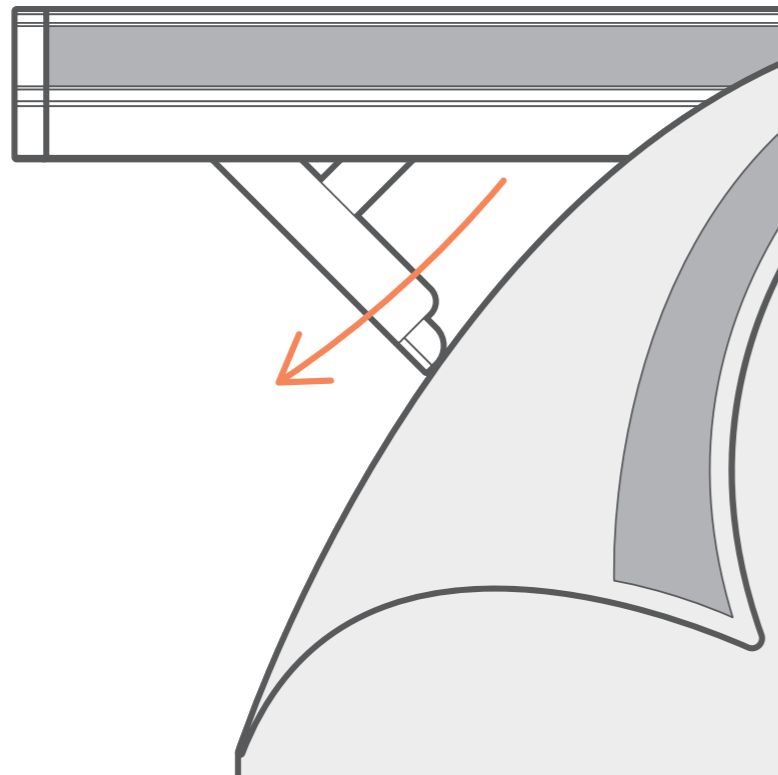
Pull down on the front part of the chain to lower the blind, and pull down on the rear part of the chain to raise the blind.



If you find at any point that the blind has fallen to one side, this is usually caused by a simple mix-up with the controls. To fix this, simply use the front of the chain to fully lower the blind, then continue pulling the chain until it raises to the top. The blind should even itself out as you do, and you can prevent the same issue recurring by making sure the chain is always pulled in the correct direction.

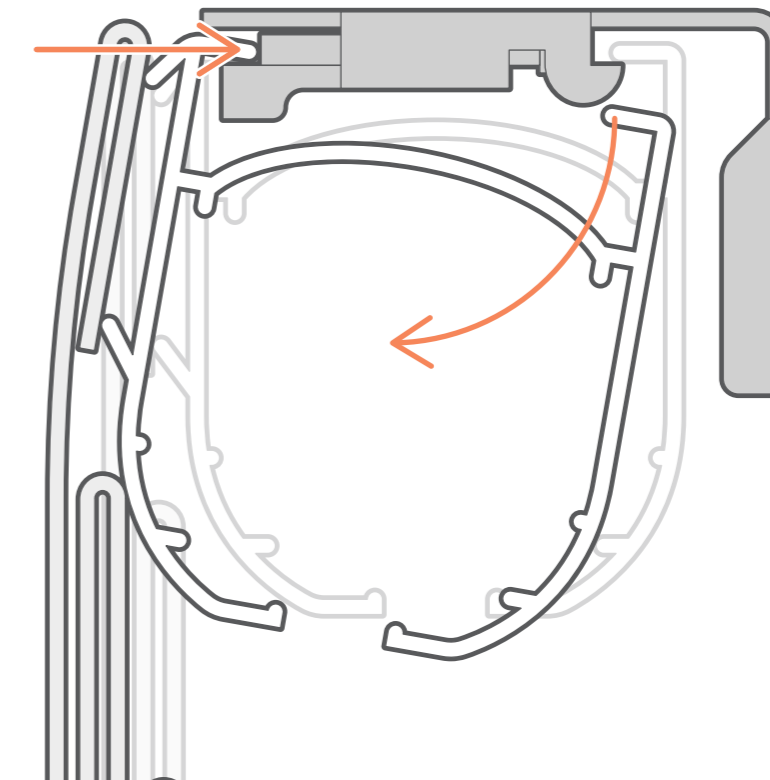
## Additional Information *Taking Your Blind Down*

### Click2Go Blinds



Peel the fabric away from the rail to expose the lever. Using a screwdriver, gently pry the lever downward until you can fully loosen it – make sure you're holding the blind steady as you do this, and that your hand is not close to the lever.

### Standard & SmartView Blinds



Push the rail back against the brackets and at the same time gently 'twist' the rail so that you're pulling the back of it downwards. This will unhook the rail from the rear hook on the bracket and allow you to remove the blind.