

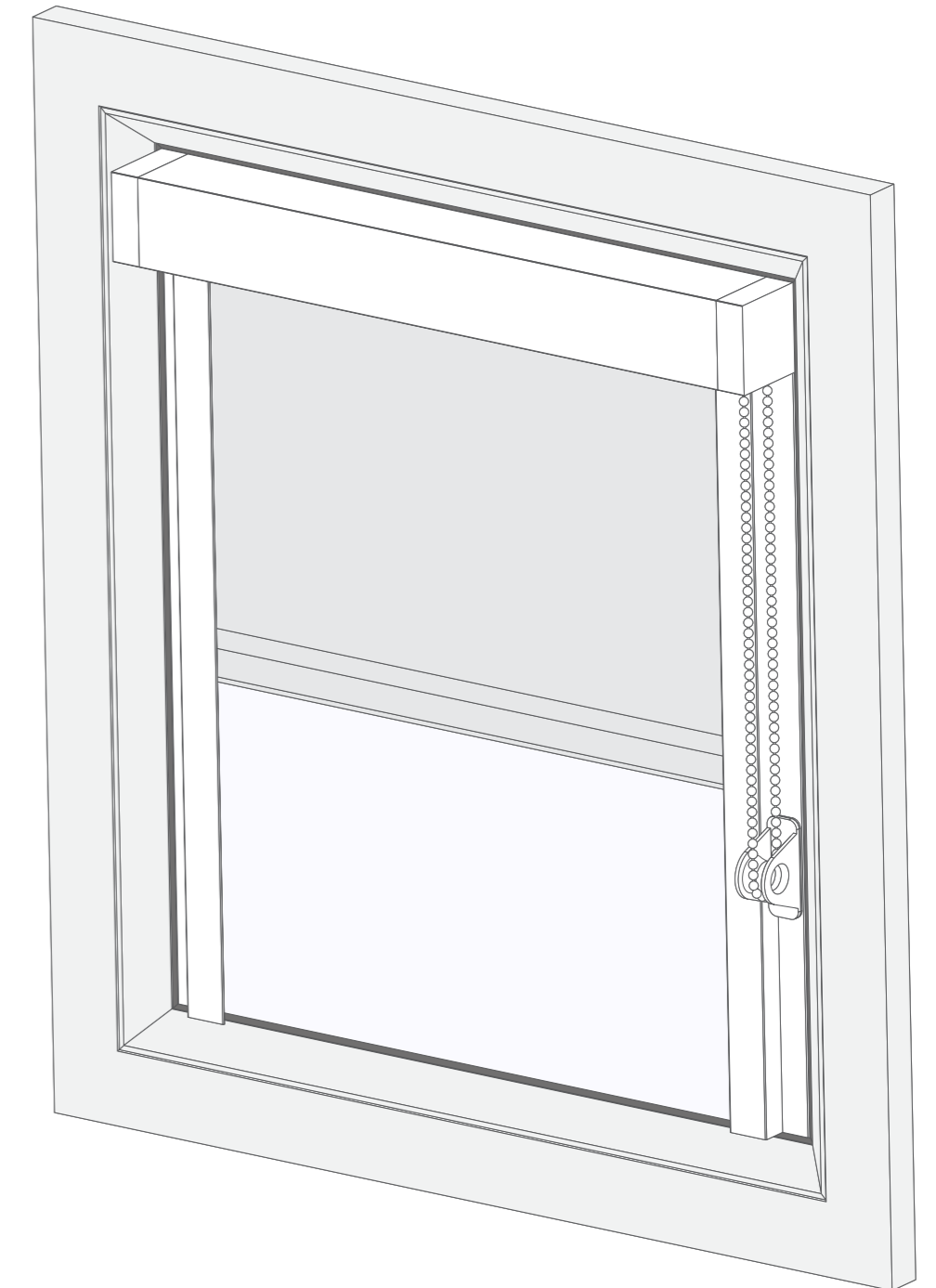
### Turn your phone or tablet

Our guides are best viewed in landscape if you're viewing on your phone or tablet.

### Designed for *DIY*

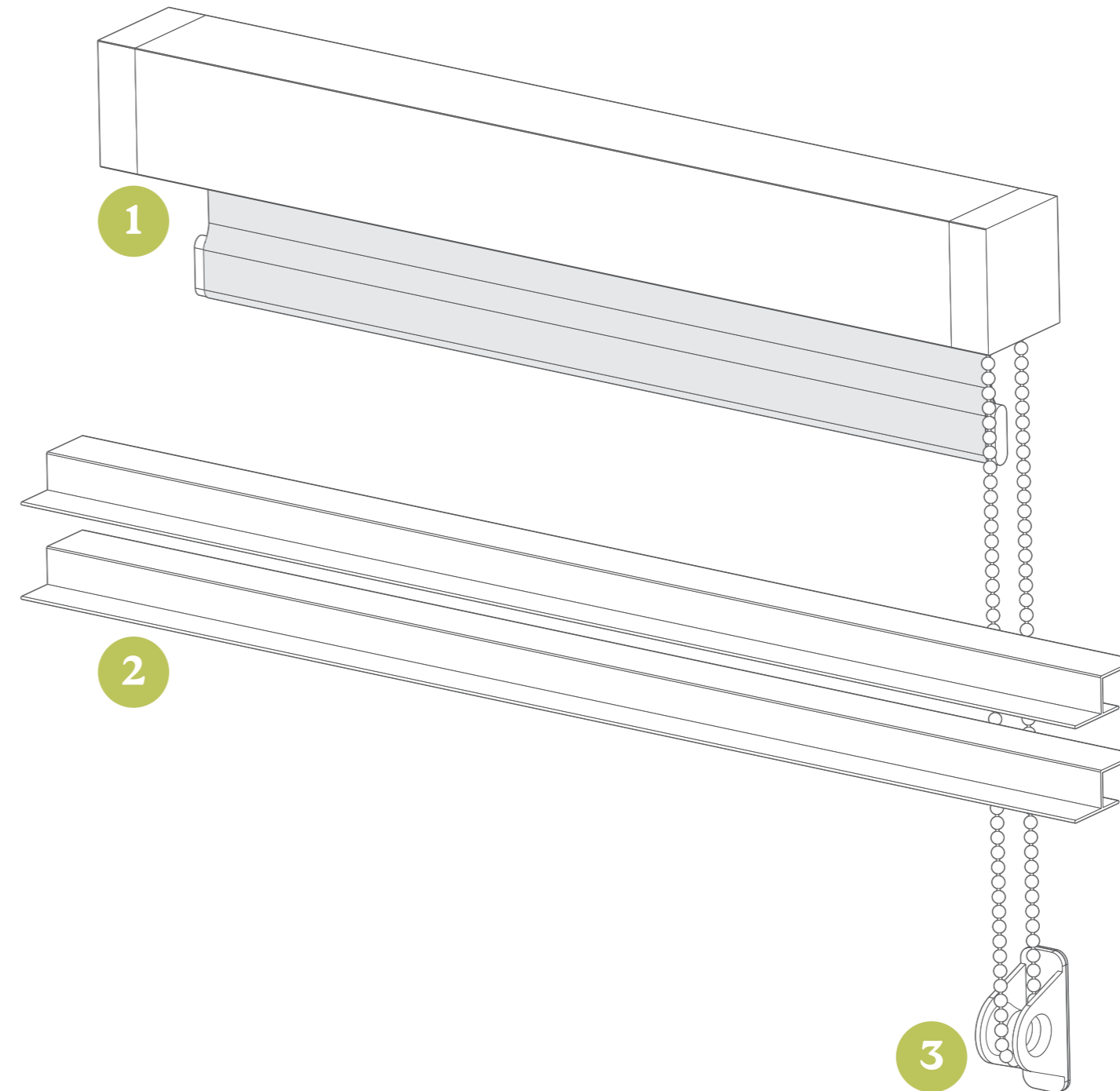
Our Stick On Blackout Roller Blinds are designed to be installed by you, without specialist fitters, even if you don't have much DIY experience.

**Please read each page of this guide carefully during installation, following along one step at a time.**

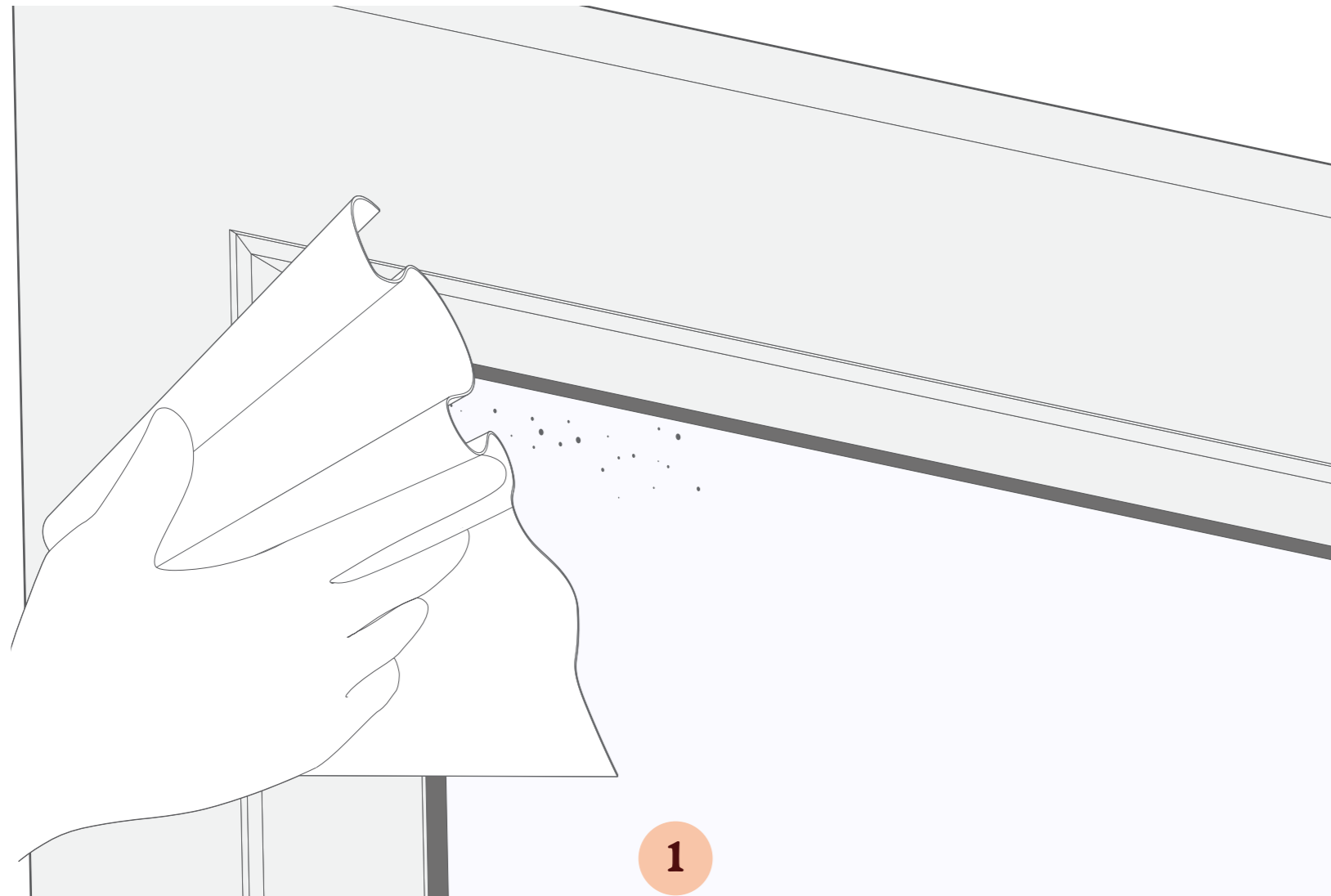


## Parts included *in your order*:

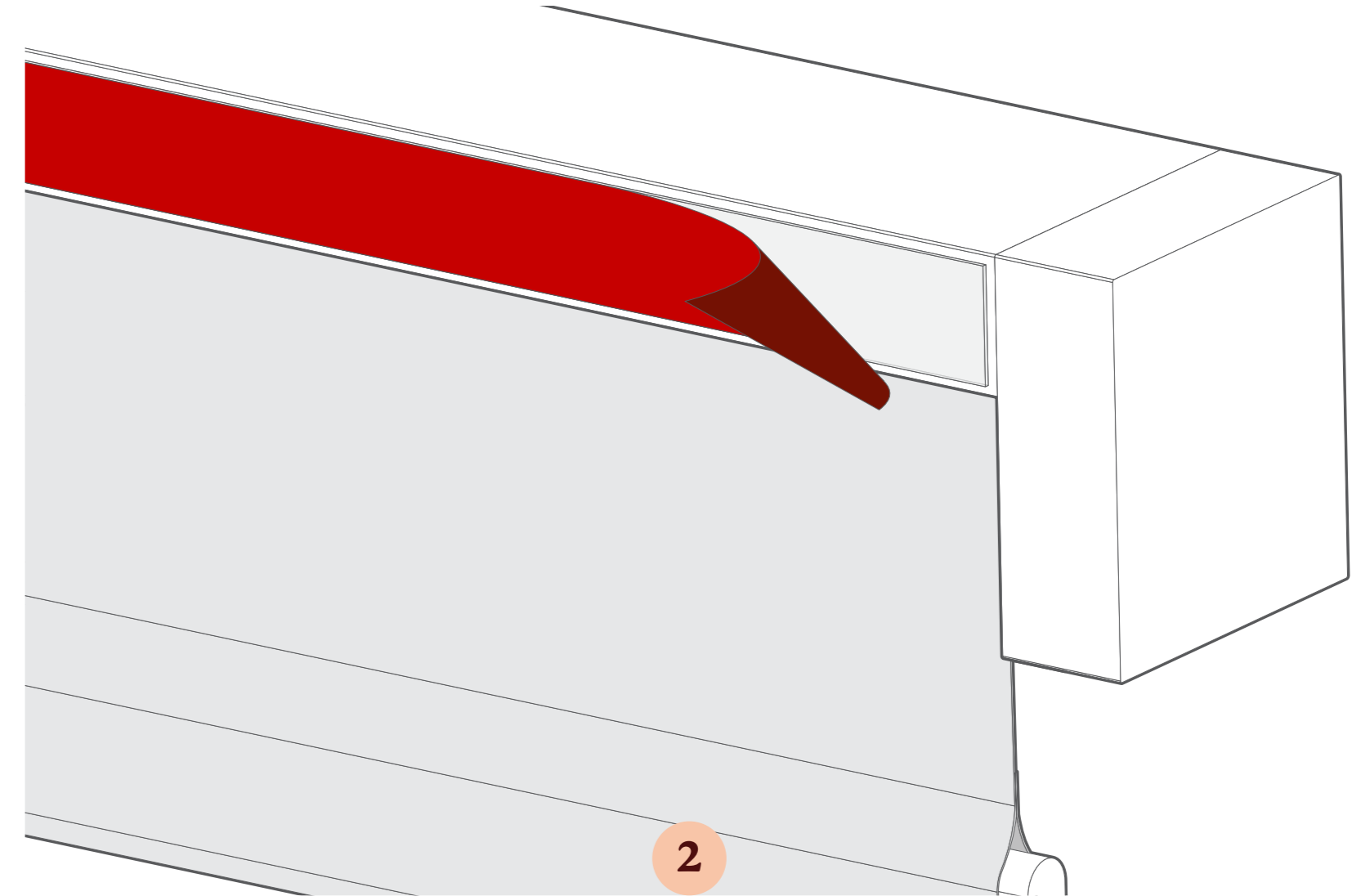
- 1 Roller Blind cassette
- 2 Side channels
- 3 Child safety clip



## Section 2 *Installing the Blind*

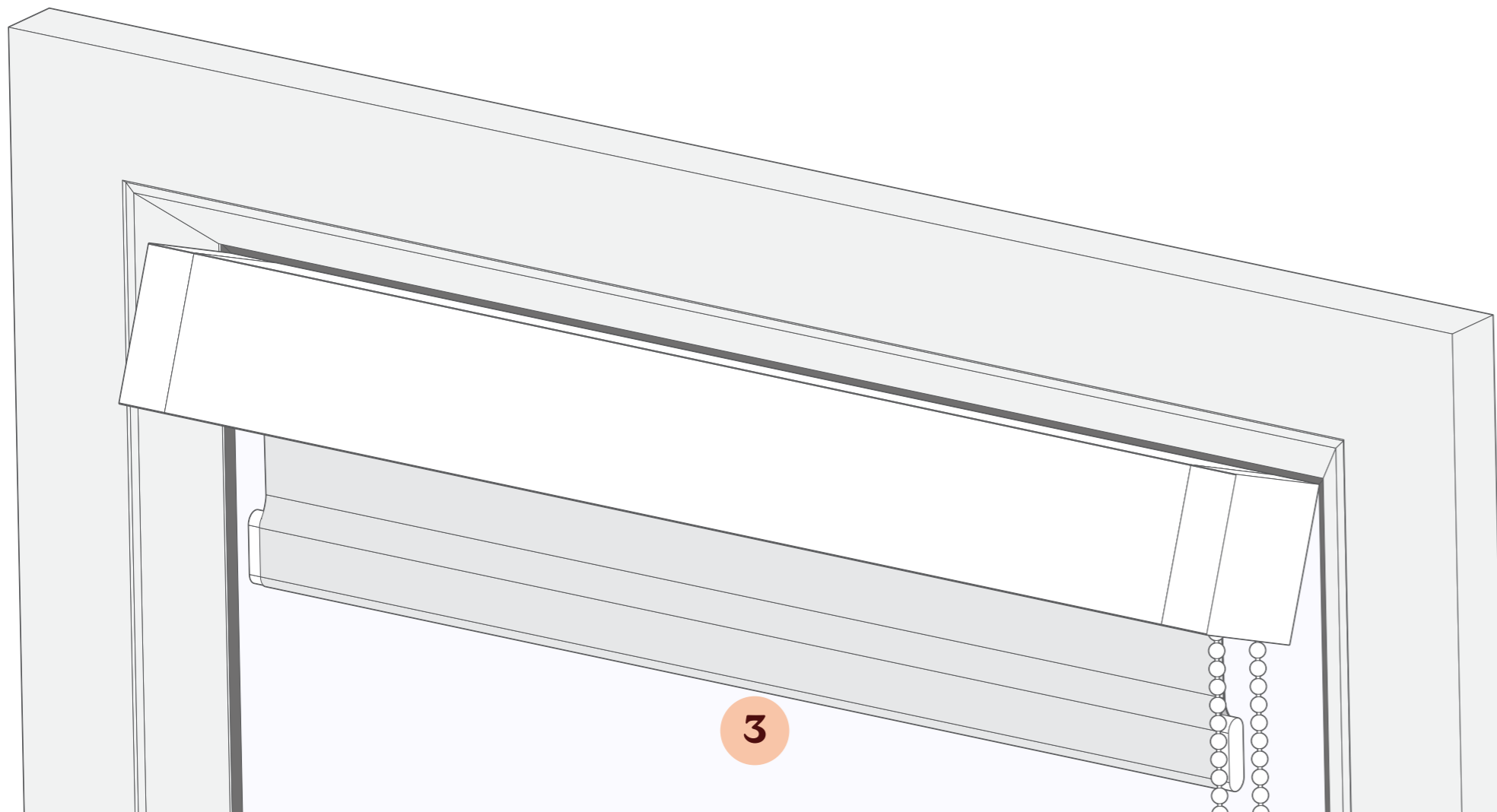


Start by thoroughly cleaning the glass where you'll be fitting the blind (1). Pay particular attention across the top of the glass and down each side.

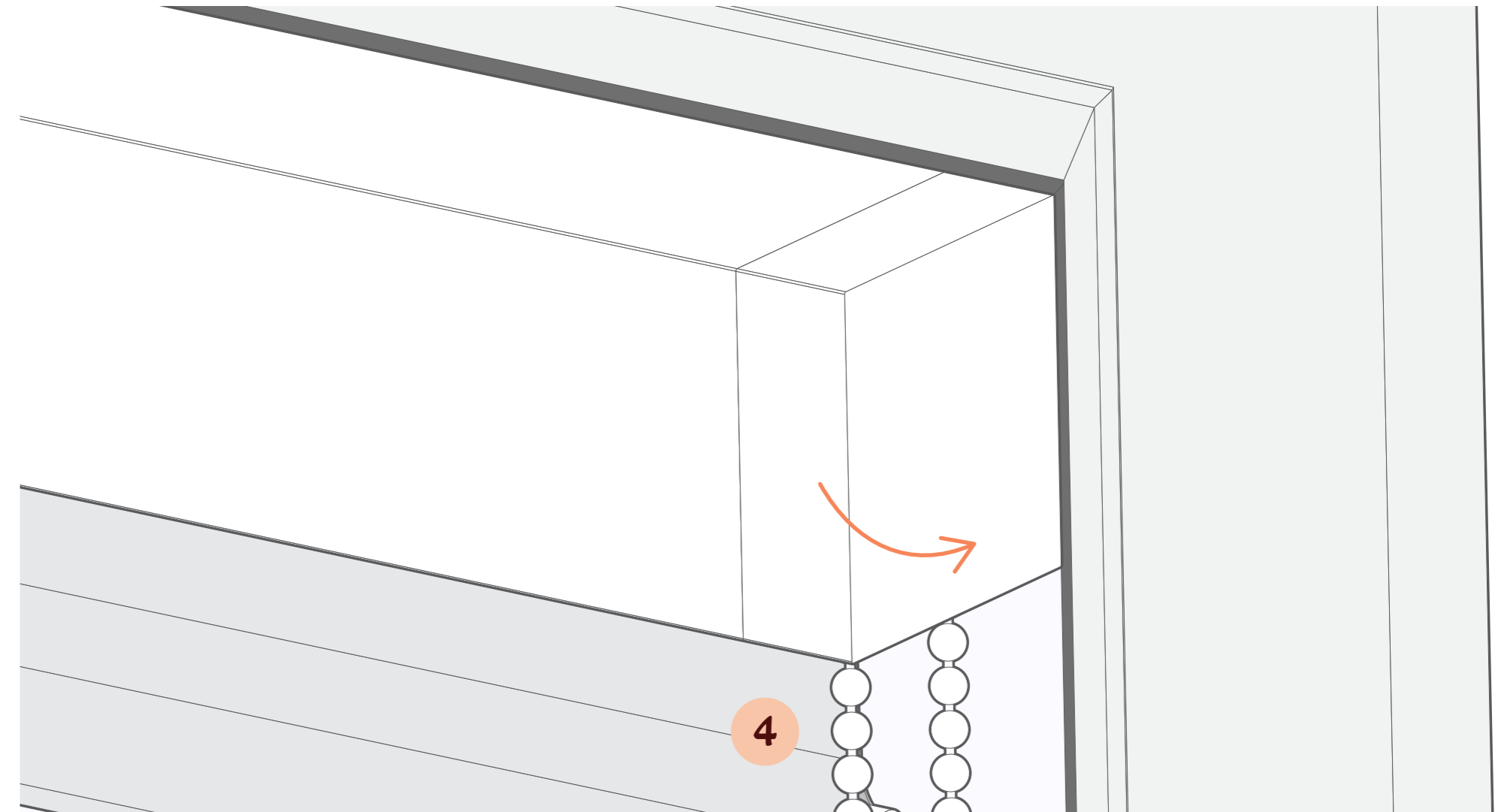


Make sure the glass is dry, then unwrap and flip the blind to access the back of its cassette. Peel the adhesive cover from the strip across the back (2).

## Section 2 *Installing the Blind*

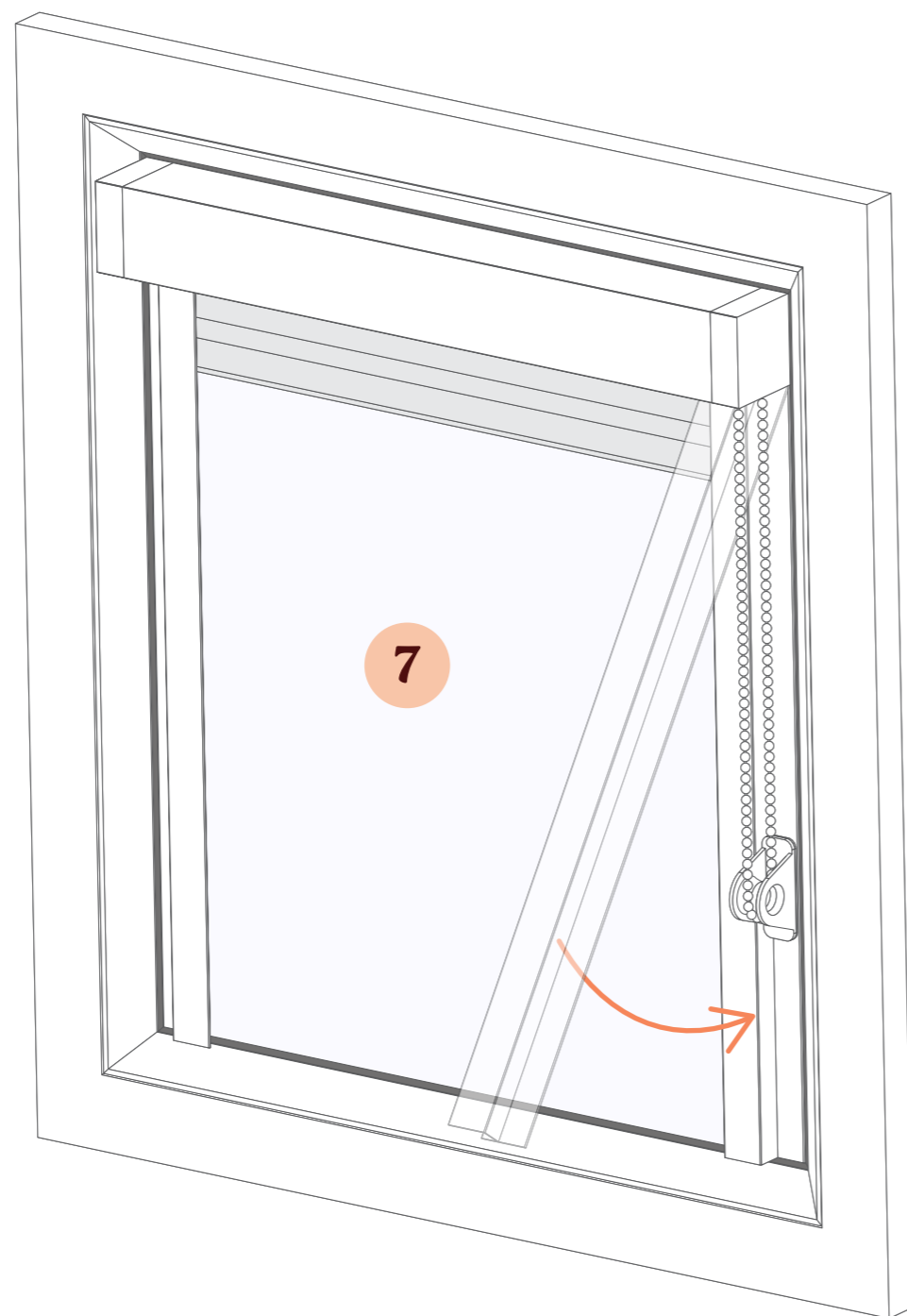
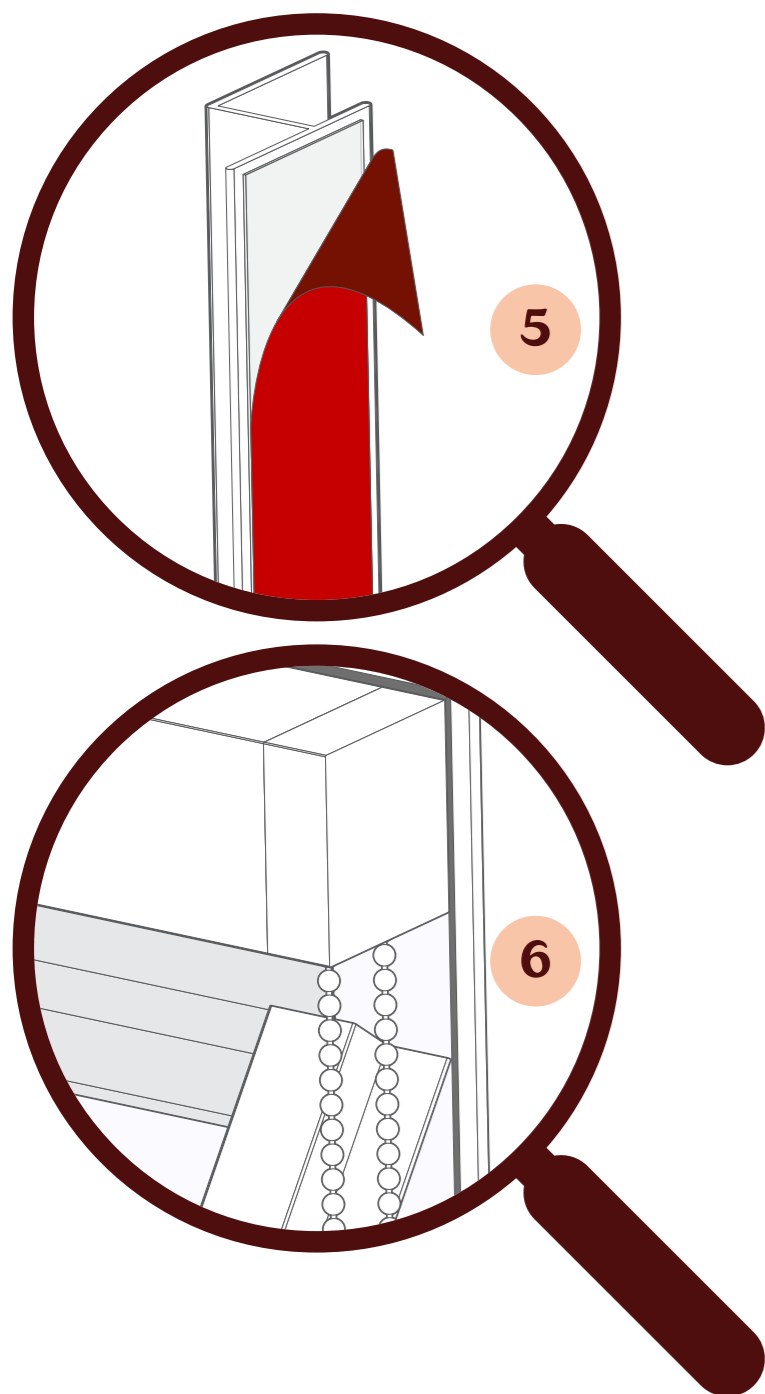


Holding the cassette at an angle (so that it doesn't stick to the glass before you're ready), line up the cassette with the top of the glass, making sure it's nice and straight (3).



Once you're happy with the position, press the cassette back against the window and hold for a few seconds to give the adhesive time to stick (4).

## Section 2 *Installing the Blind*



Now add the side channels – do this one channel at a time.

Peel the adhesive cover from the back of the channel (5), then position it under the blind's cassette – it should be positioned behind the control chain, with the lip of the channel overlapping the edge of the fabric (6).

Rest the top edge of the channel against the glass while you line it up with the edge, then press it back against the glass (7). Hold it in position for a few seconds until it's securely stuck in place.

Repeat with the other channel.



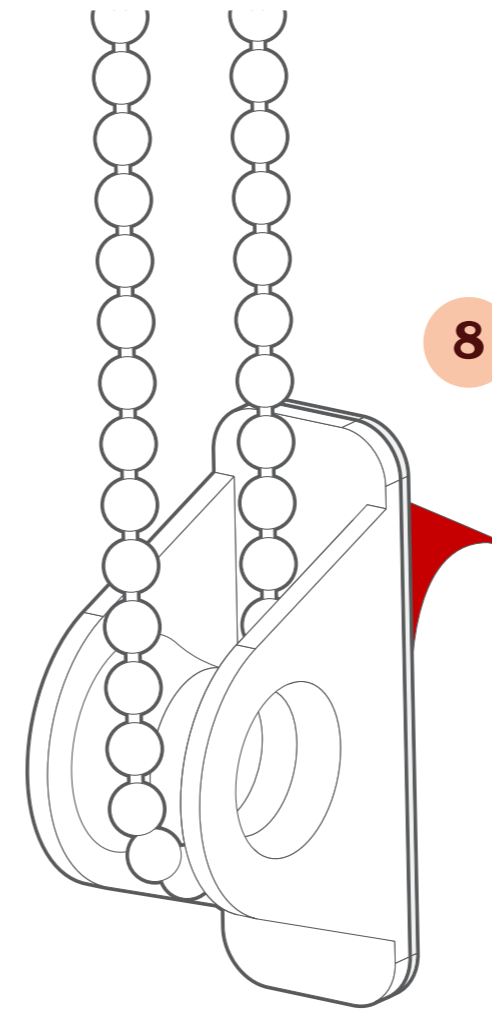
### WARNING

Young children can be strangled by loops in pull cords, chains, tapes and inner cords that operate the product.

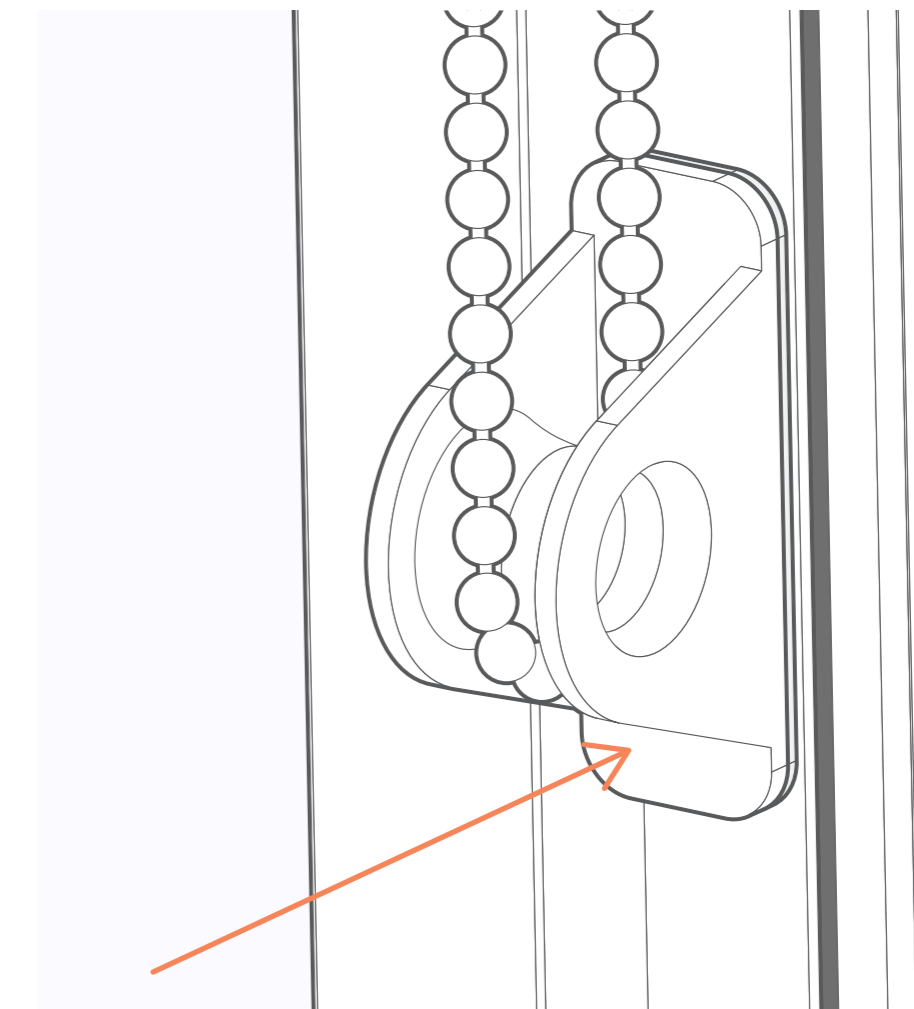
To avoid strangulation and entanglement, keep cords out of the reach of young children. Cords may become wrapped around a child's neck.

Move beds, cots and furniture away from window covering cords.

Do not tie cords together. Make sure cords do not twist and create a loop.



Peel the adhesive cover from the back of the safety clip (8).



Keeping the chain taut, press the clip back against the face of the channel to stick it securely in place (9).