

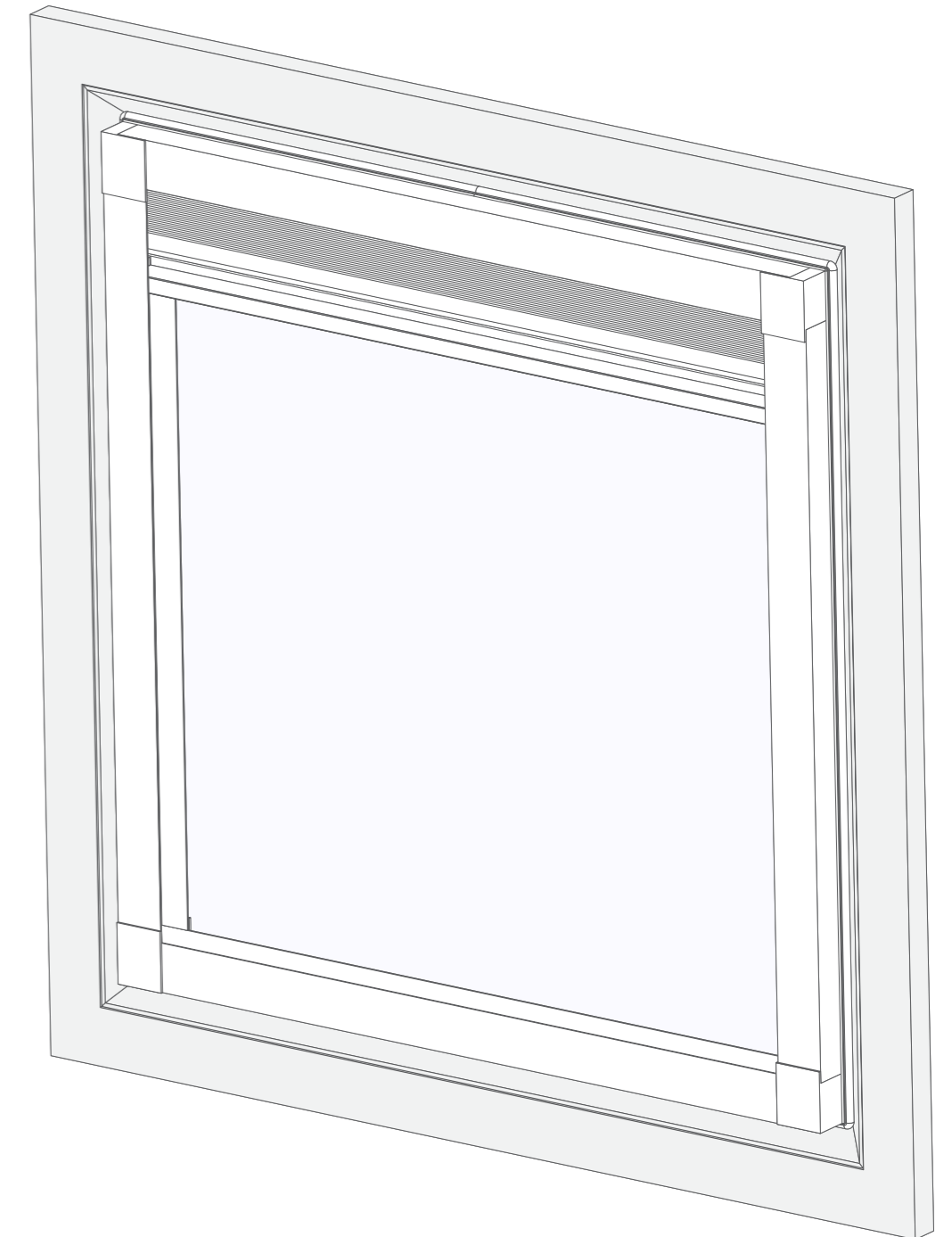
### Turn your phone or tablet

Our guides are best viewed in landscape if you're viewing on your phone or tablet.

### Designed for *DIY*

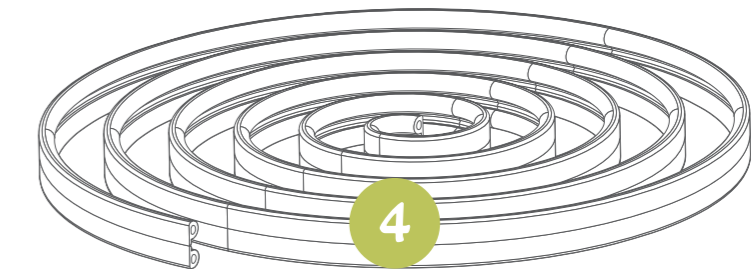
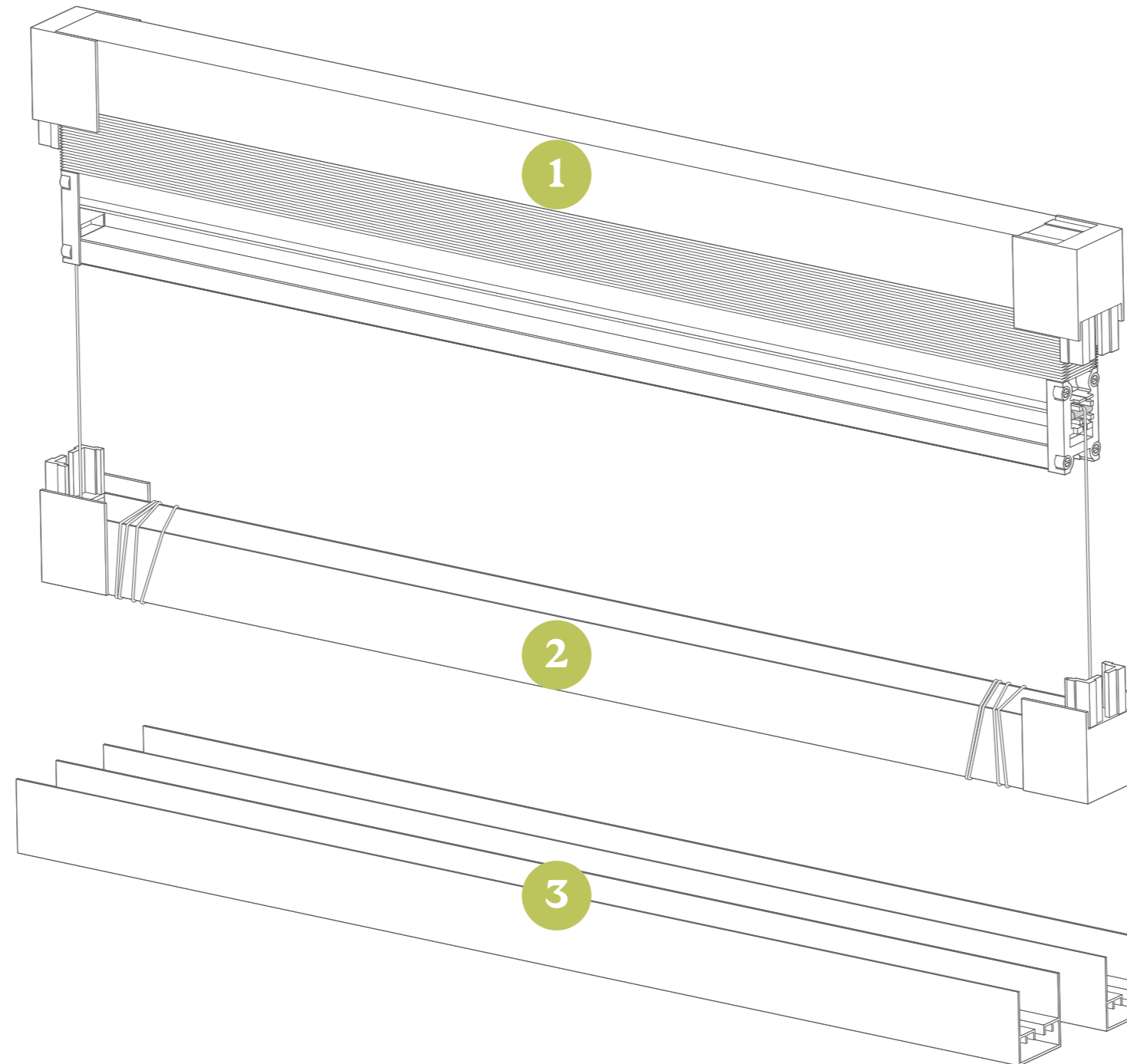
Our Stick On MaxShade Blackout Blinds are designed to be installed by you, without specialist fitters, even if you don't have much DIY experience.

**Please read each page of this guide carefully during installation, following along one step at a time.**



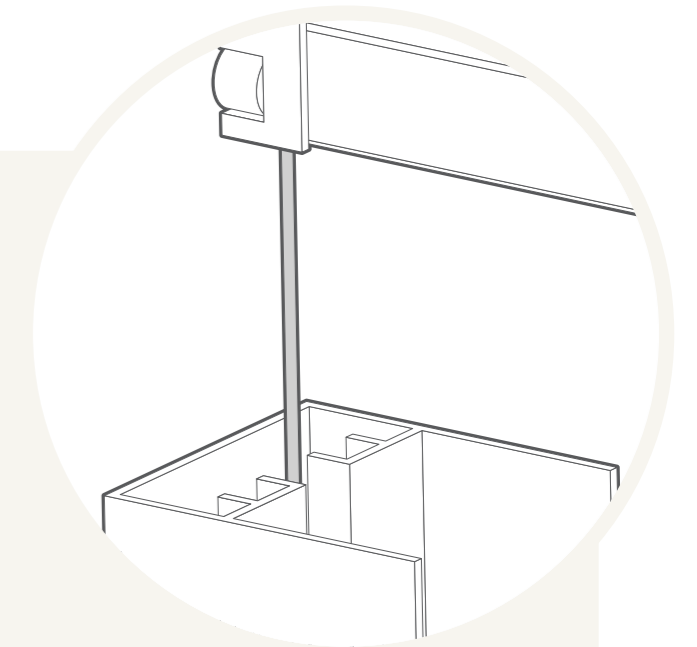
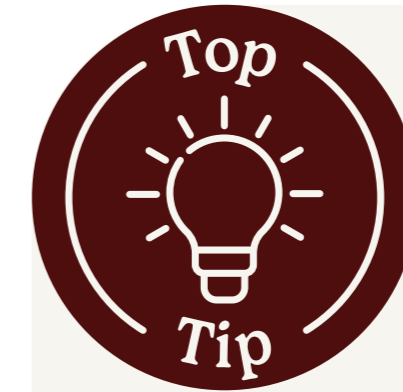
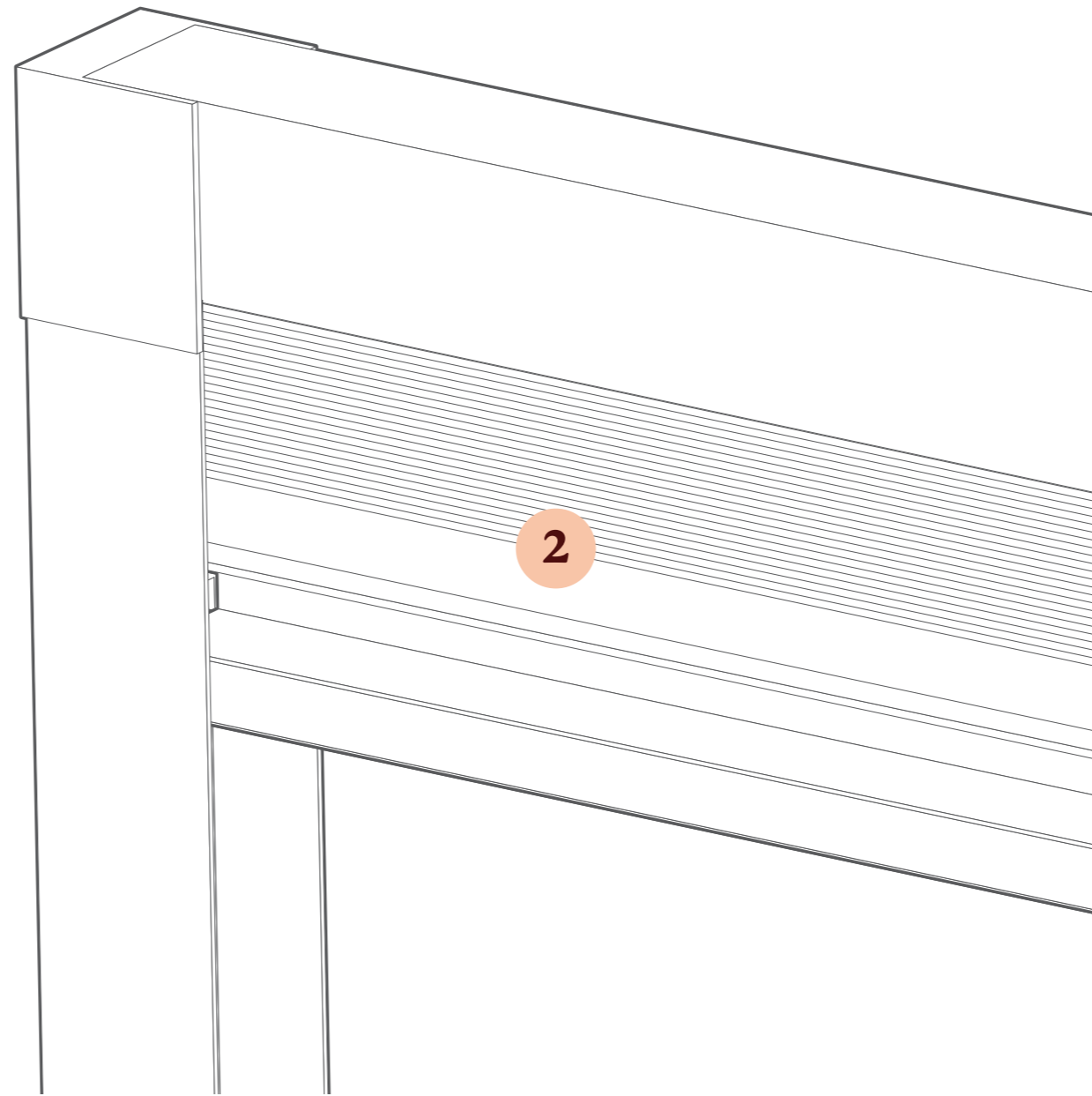
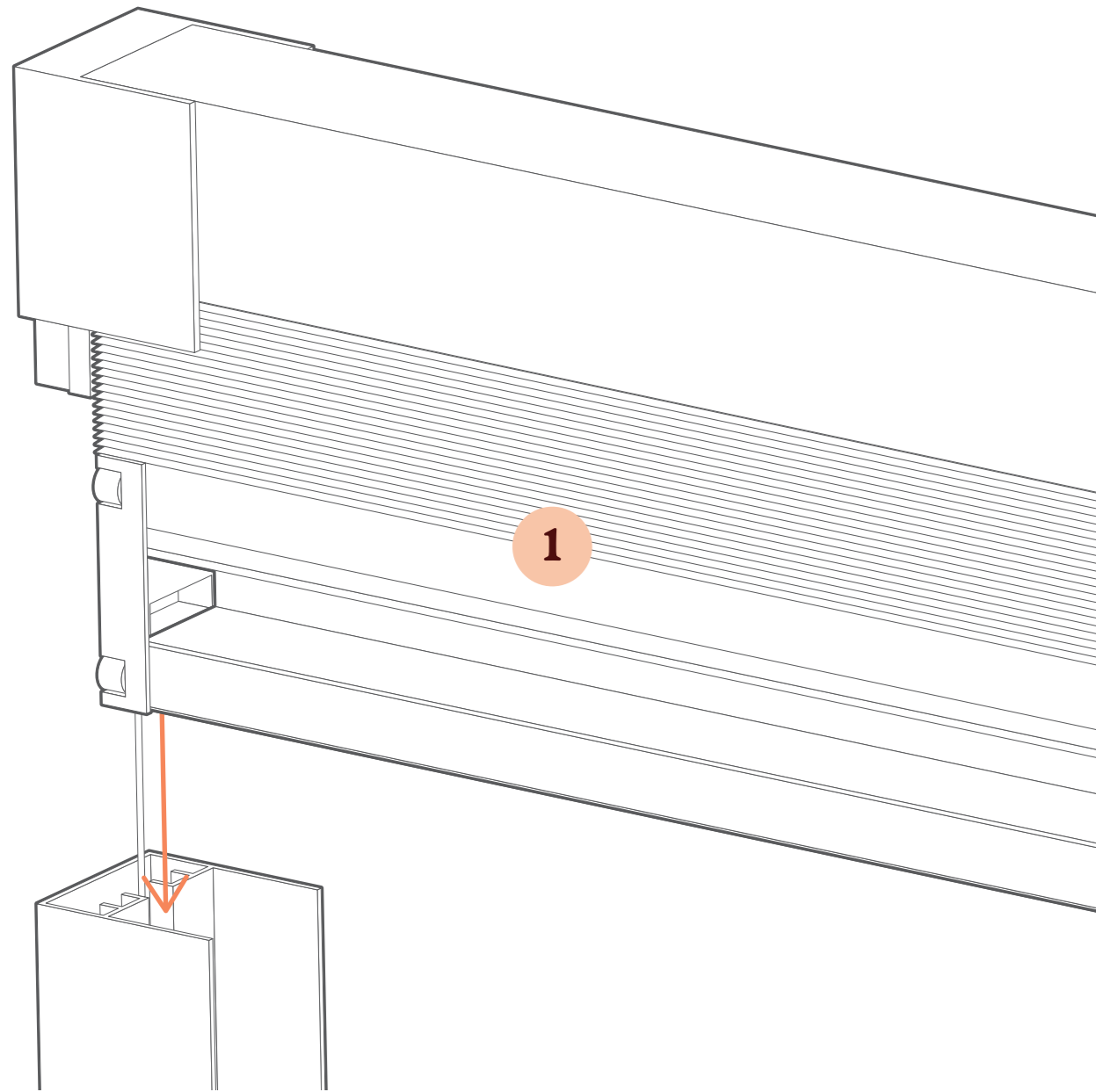
## Parts included *in your order*:

- 1 MaxShade blind
- 2 Bottom channel
- 3 Side channels
- 4 Blackout strip



Note that the blind and its bottom bar are connected by the tension cords, with the cords wrapped around the bottom bar. Unwrap the cord and spread out the blind and bottom bar before you begin assembly.

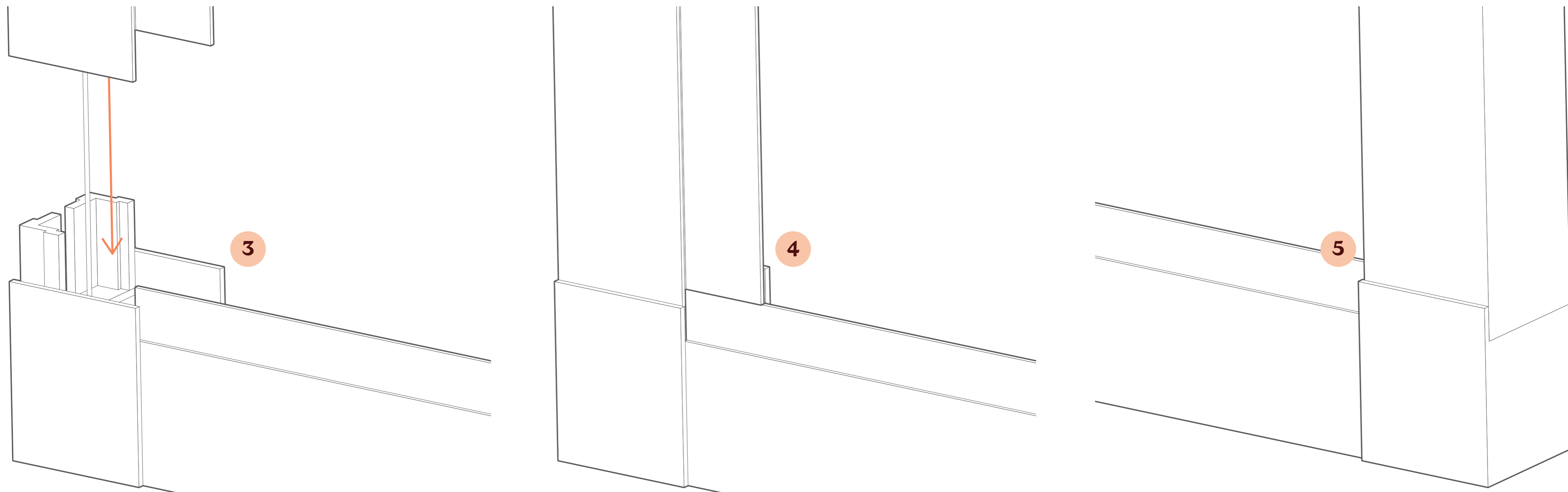
## Section 2 Assembling the Blind



Ensure that the cords hanging from the blind's end caps also run down the insides of the channels and are not trapped or caught when you slot the channels in place.

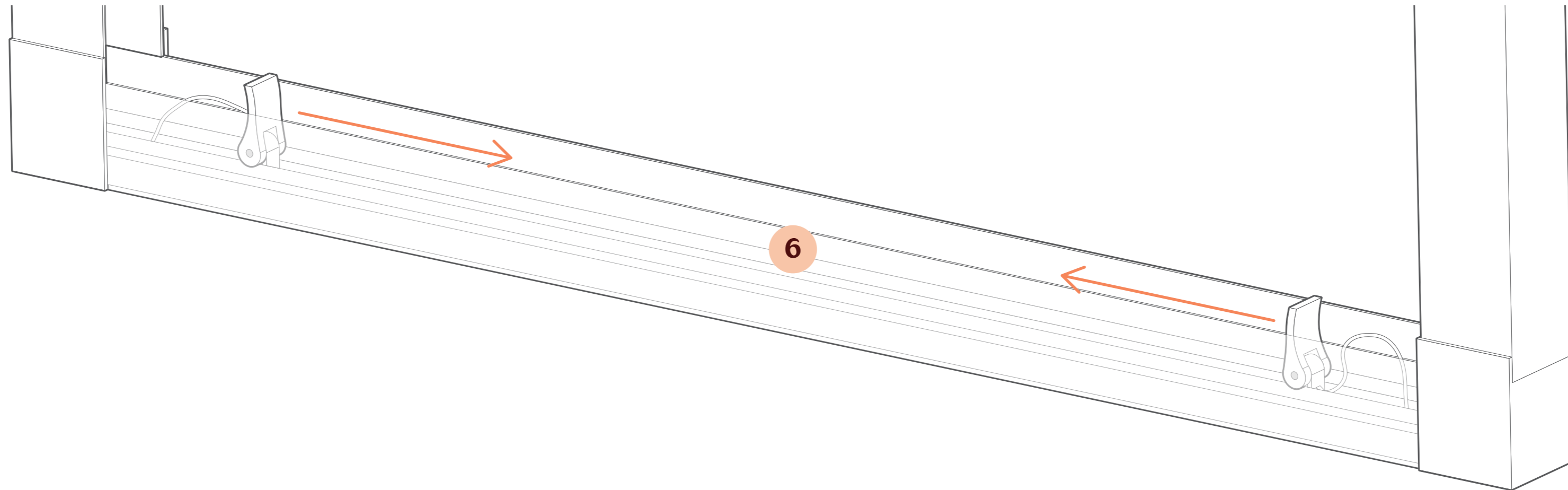
Slot the side channels onto the caps at either end of the blind (1), so that the blind runs down the insides of the channels (2).

## Section 2 *Assembling the Blind*



Next, slot the bottom bar into the bottoms of the side channels in the same way as you did at the top (3 / 4 / 5).

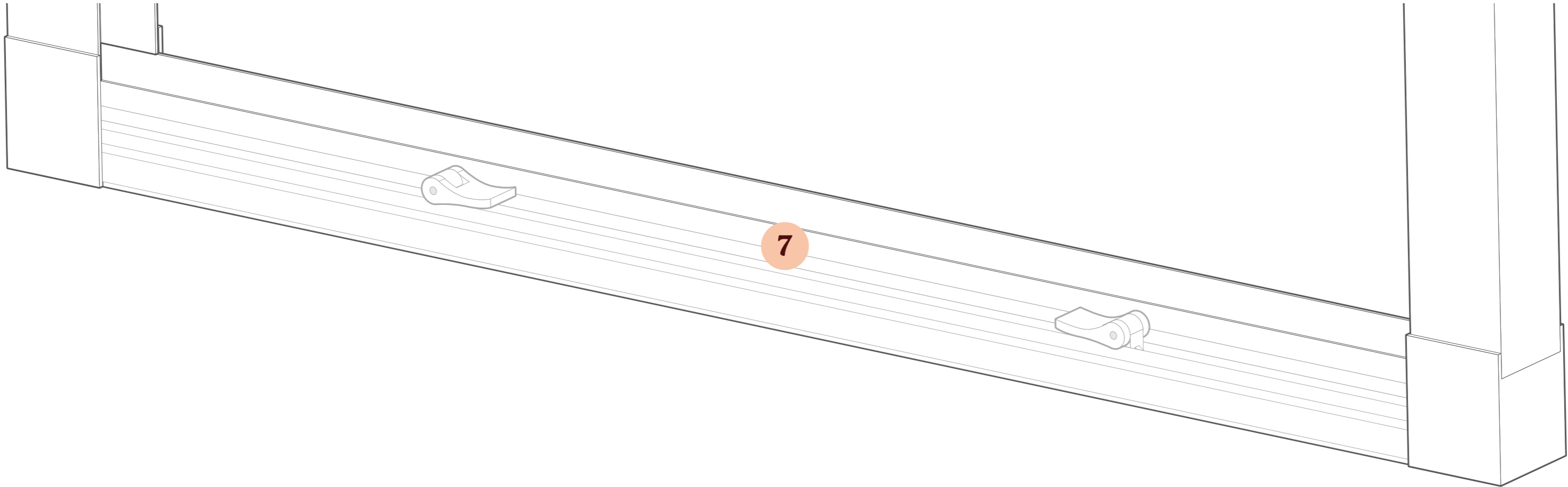
## Section 2 *Assembling the Blind*



Lay the blind down on its back, on a flat surface. Inside the bottom bar are two clips, to which the ends of the tension cords are tied.

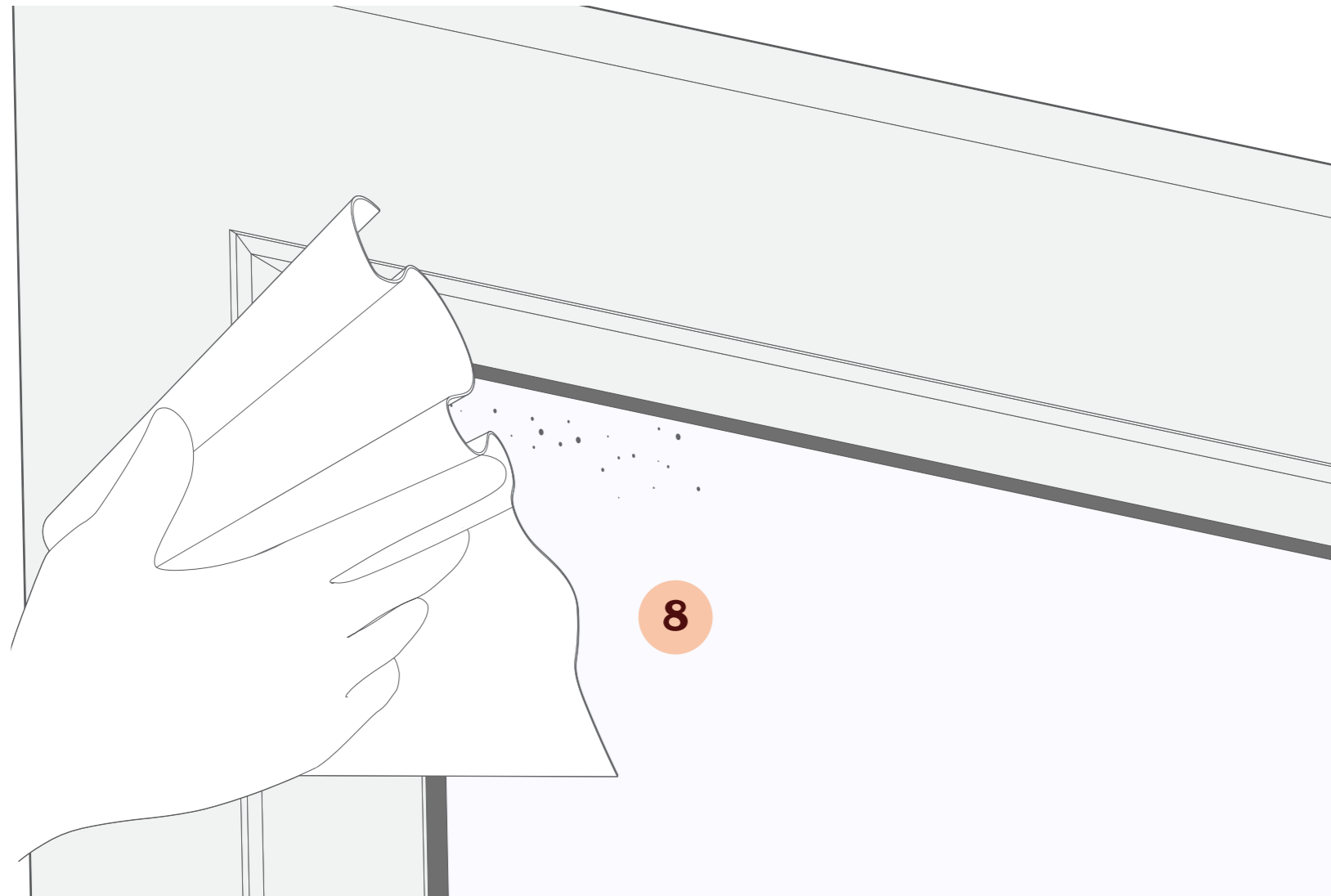
Pull the clips toward the centre of the bottom bar, at the same time, until they feel tight (6). Note that as you pull the right clip inwards this will tighten the right side of the blind up at the top, and the same as you pull on the left clip. Pull the clips inwards until they both feel tight, and the blind is straight.

# Section 2 Assembling the Blind

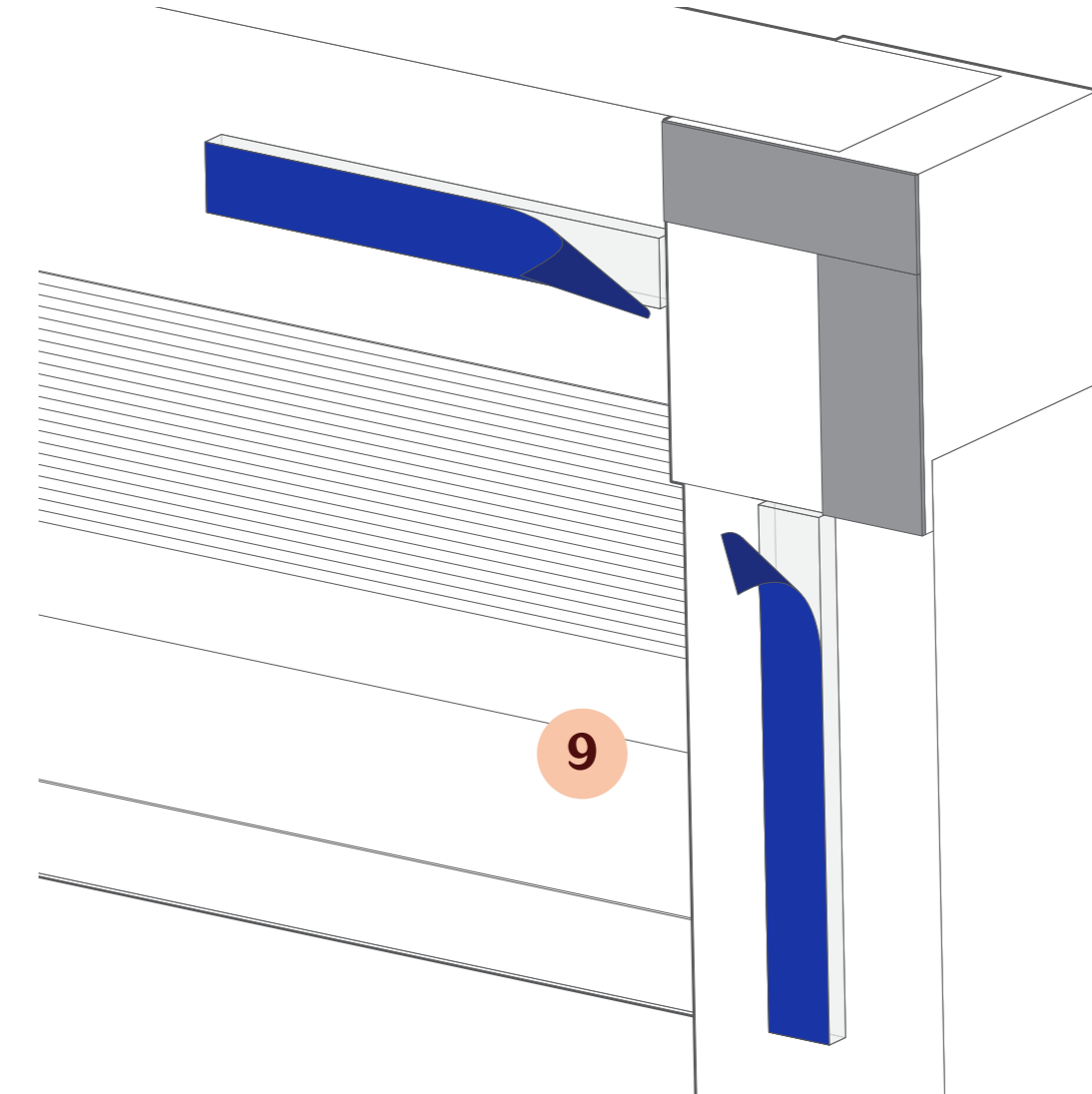


Holding the clips in position, flip the lever on each clip down to lock it in place (7).

## Section 3 *Installing the Blind*

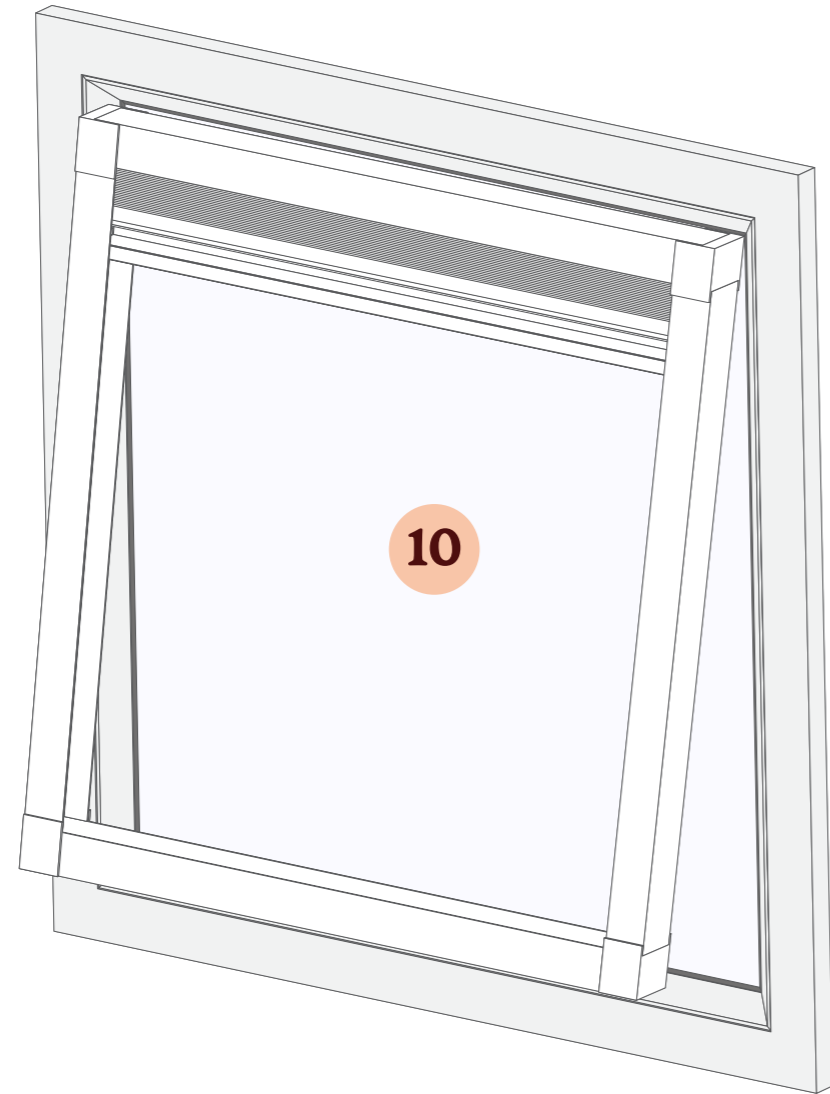


Start by thoroughly cleaning the glass where you'll be fitting the blind (8). Pay particular attention across the top of the glass and down each side.

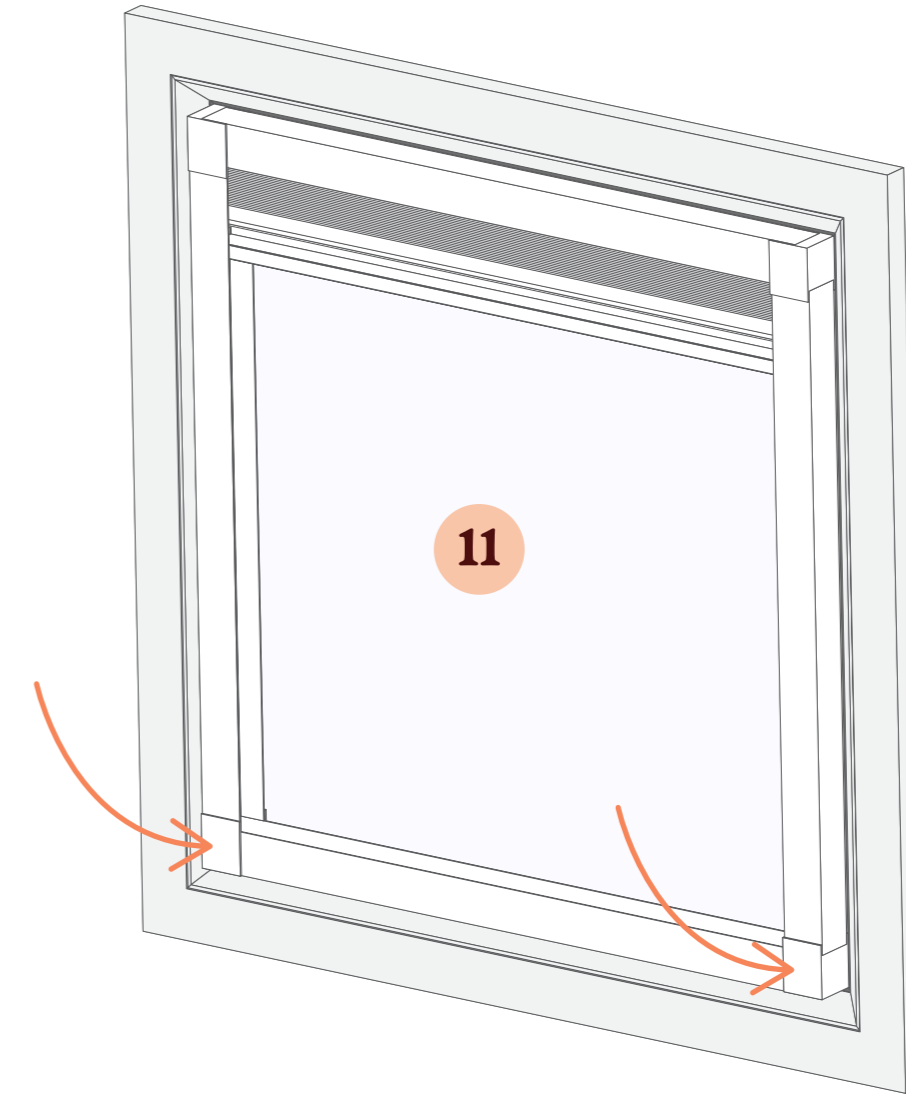


Then, peel the covers from all of the adhesive strips on the back of the blind's frame and channels (9).

## Section 3 *Installing the Blind*

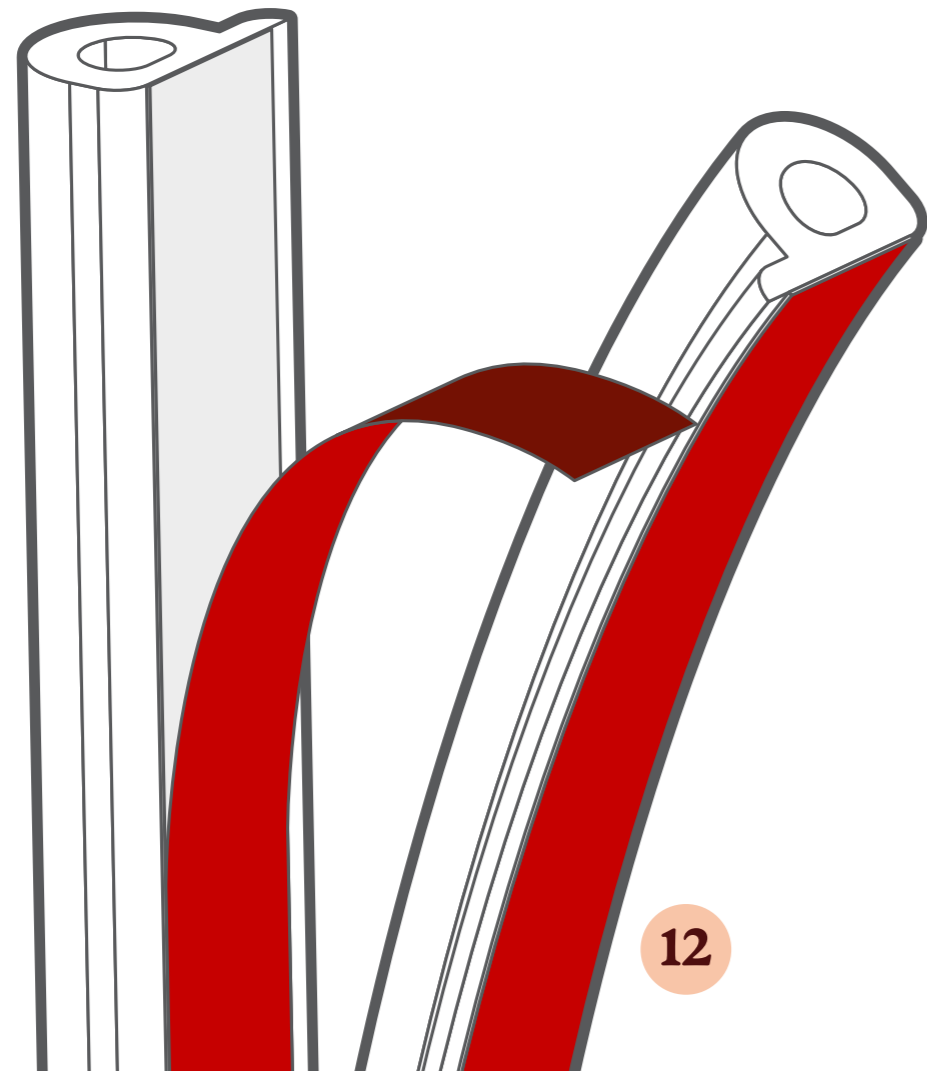


Rest the top edge of the blind's frame against the top of the glass and line it up straight (10).

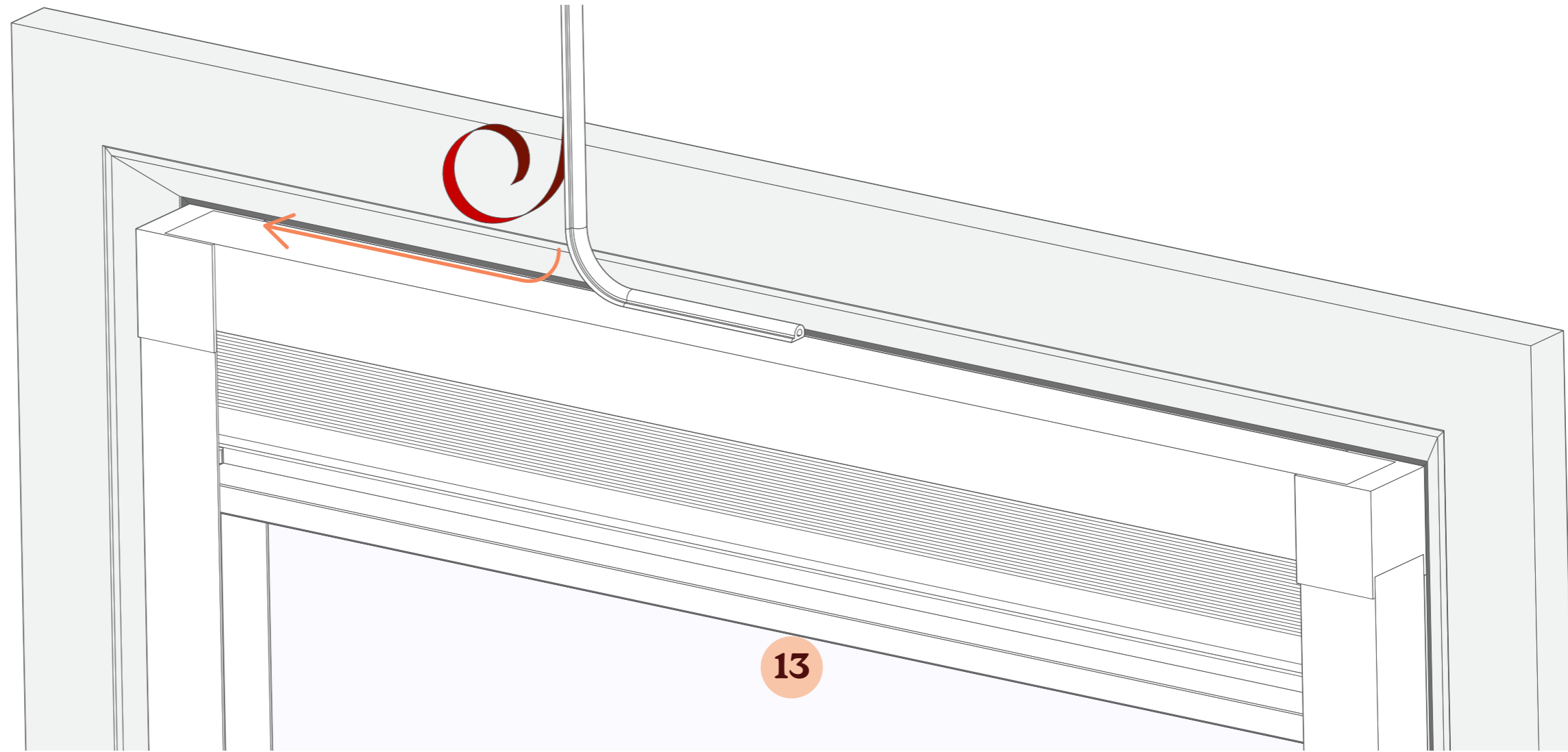


Carefully tilt the blind toward the window and, keeping it straight and level, press it against the glass (11). Hold for a few seconds to give the adhesive time to stick.

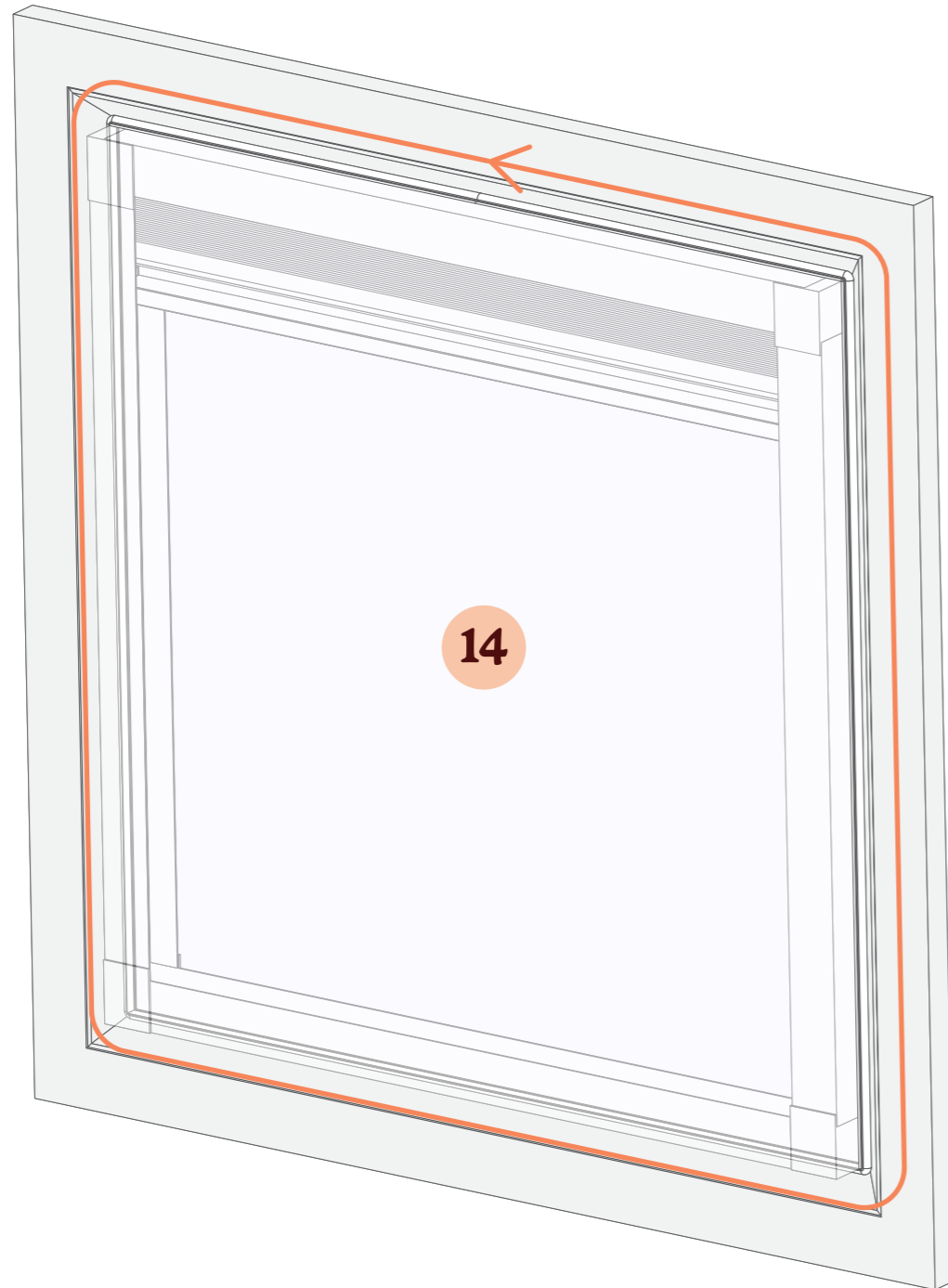
## Section 3 *Installing the Blind*



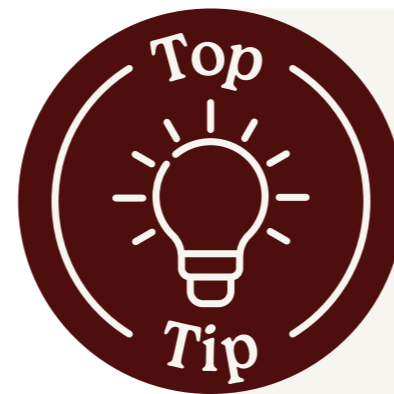
The blackout strip is actually a double strip – split it down the middle and separate it, then begin peeling the cover from the adhesive on one of your lengths (12).



Starting in the centre of the blind either at the top or bottom, begin sticking the seal to the blind's frame, filling any small gaps around the edges of the frame (13).



Continue sticking the seal around the frame, folding over at the corners, until you get back to where you started (14).



Plenty of excess blackout seal is provided, so that you can use as much as needed to cover any light gaps and achieve the best possible blackout.

**And that's it! Your new blind is installed and ready to enjoy...**