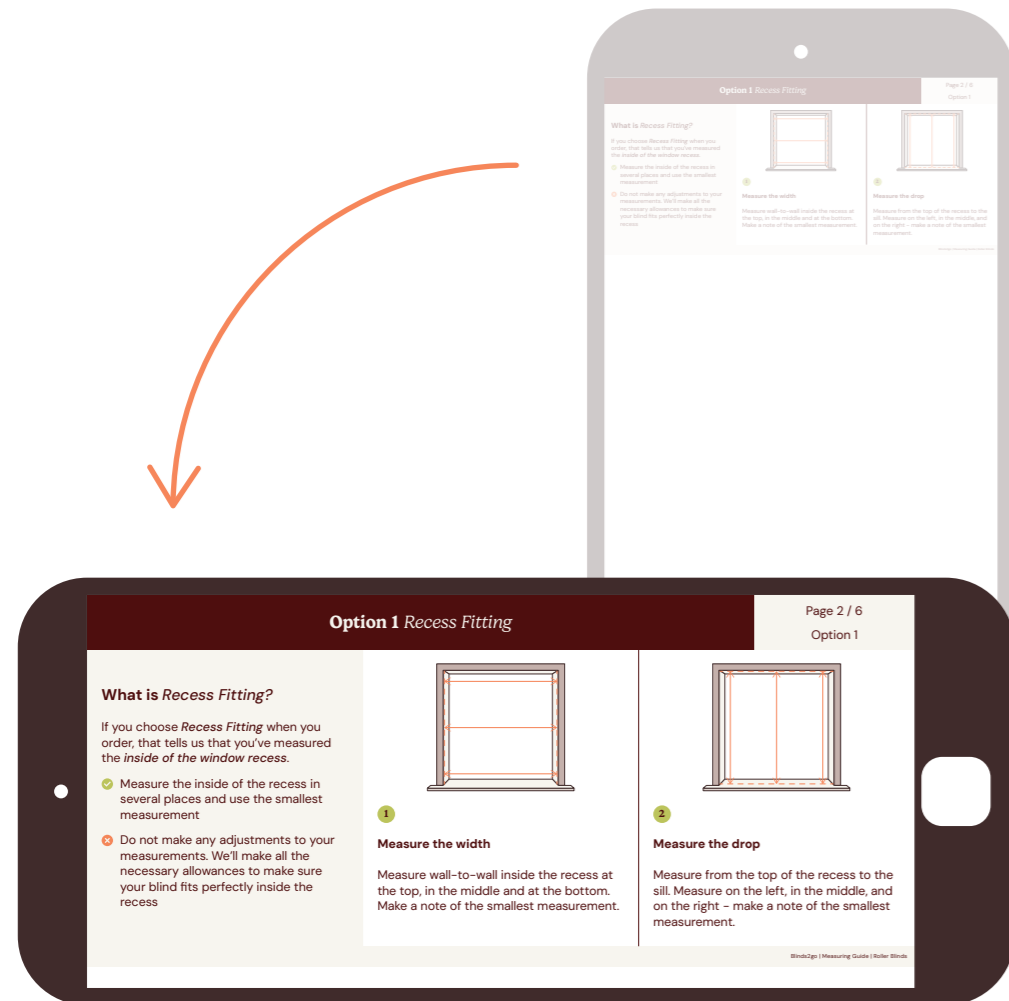


Turn your *phone or tablet*

Our guides are best viewed in landscape if you're viewing on your phone or tablet.



Designed for *DIY*

Our Stick On Pleated Blinds are designed to be installed by you, without specialist fitters, even if you don't have much DIY experience.

Please read each page of this guide carefully during installation, following along one step at a time.

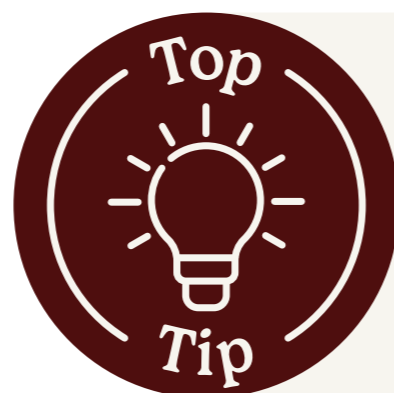
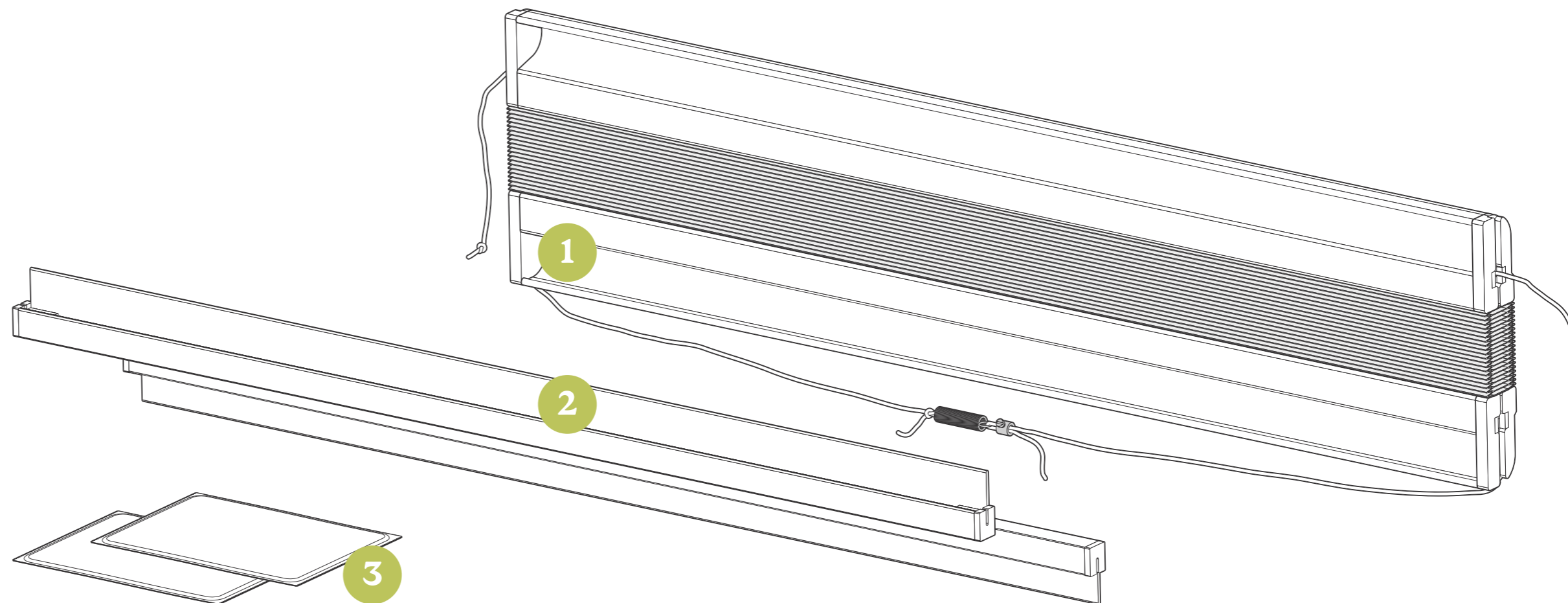
Check out our *video guide*



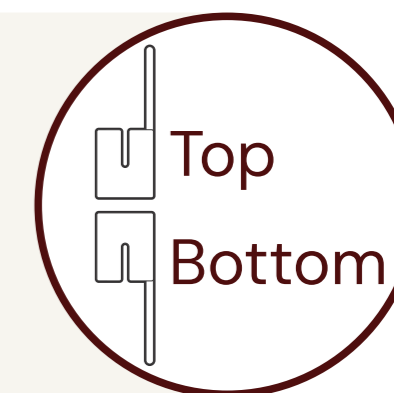
Click or tap the thumbnail above to watch our handy video overview. This video covers the basics, but for more detailed instructions just keep reading...

Parts included *in your order*:

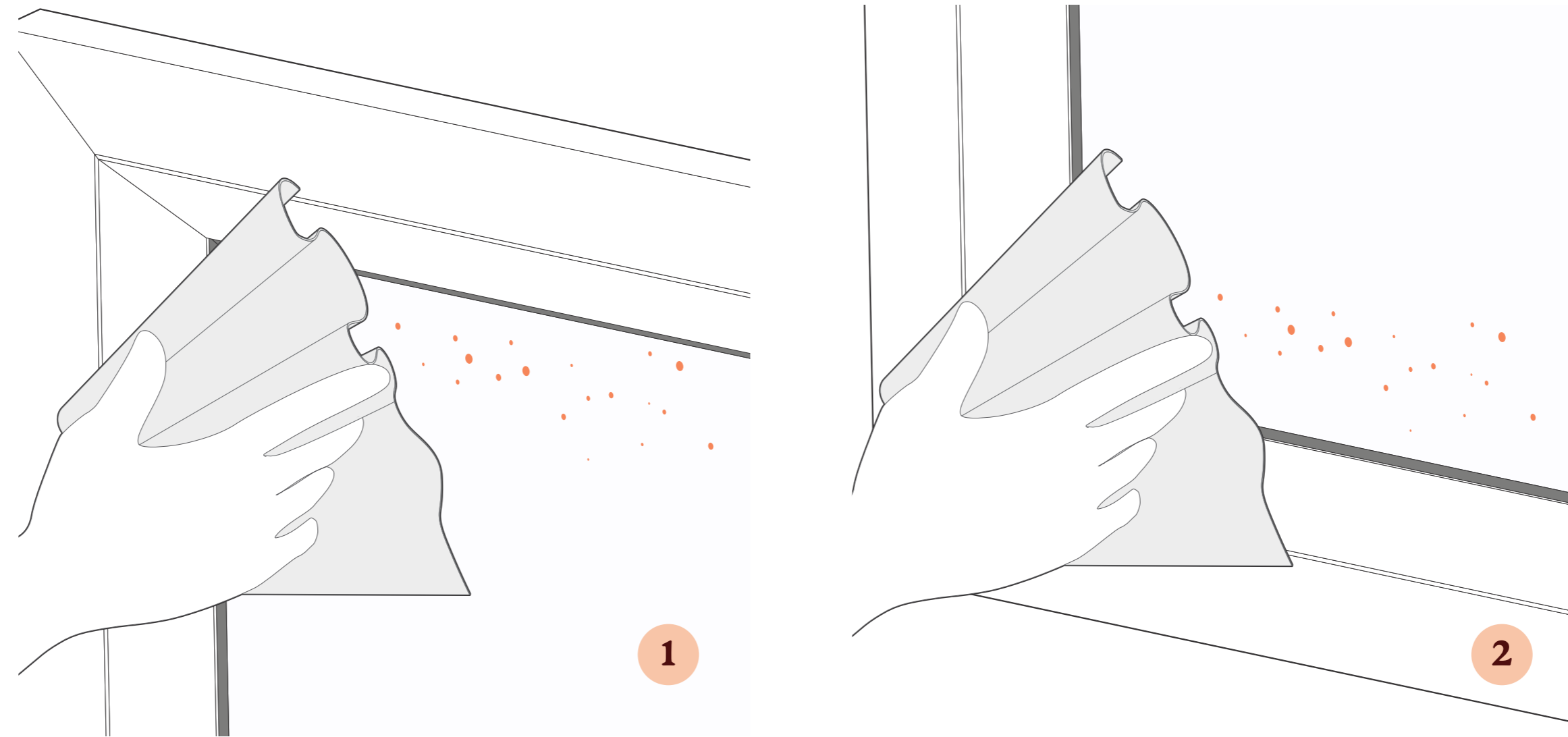
- 1 Stick On Pleated Blind
- 2 Adhesive rails
- 3 Alcohol wipes



The adhesive rails that you'll stick to the top and bottom of the window are identical, so it doesn't matter which goes where. However, it's important to note which way each rail should face when installed (see side-view diagram, right).

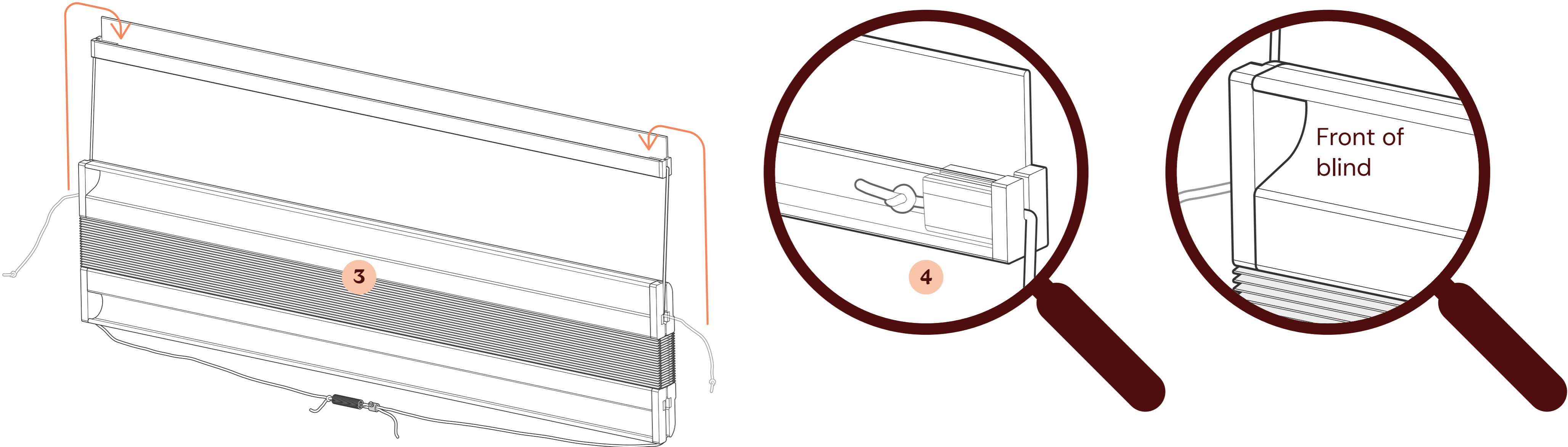


Section 2 *Installing the Blind*



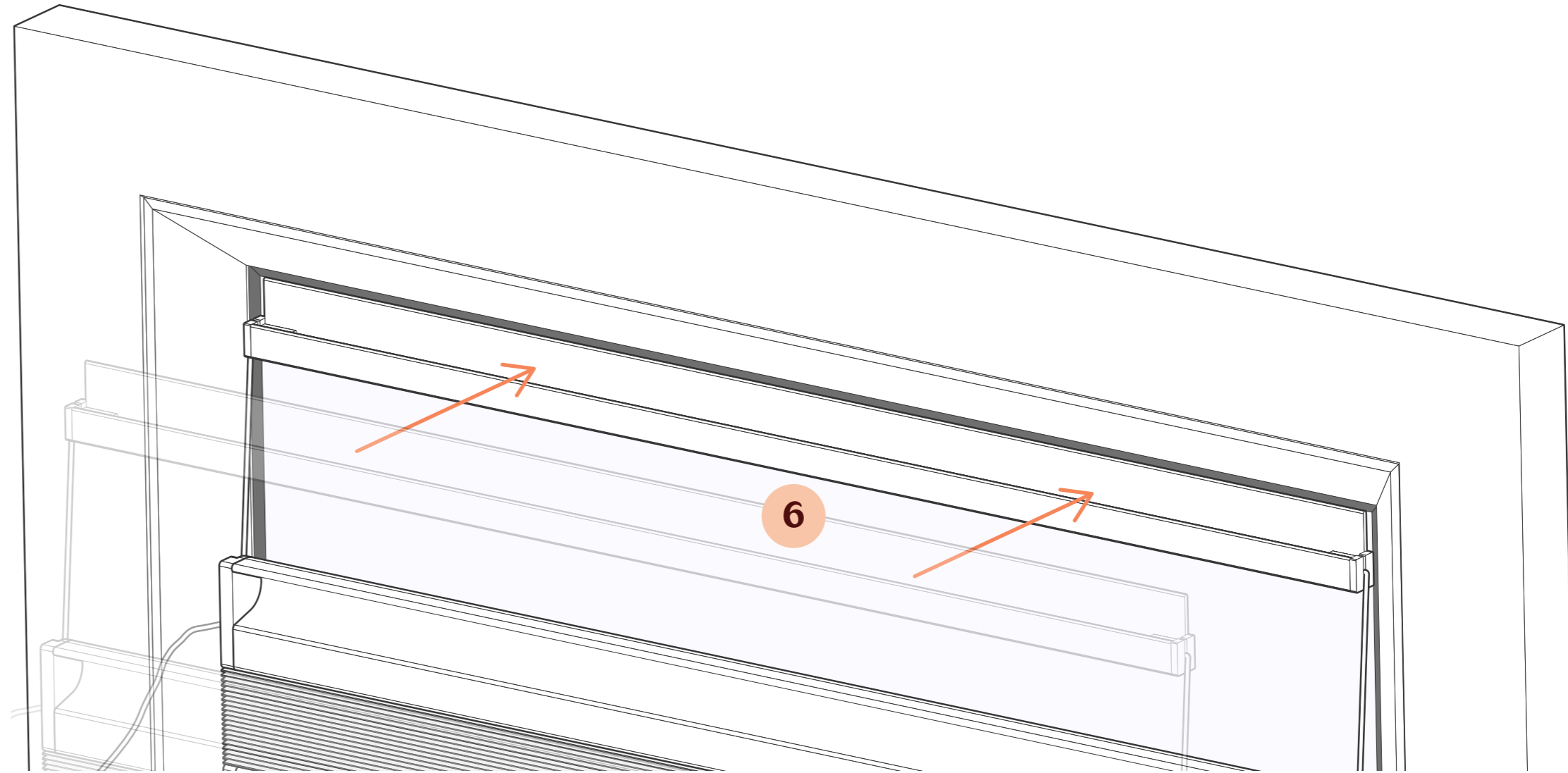
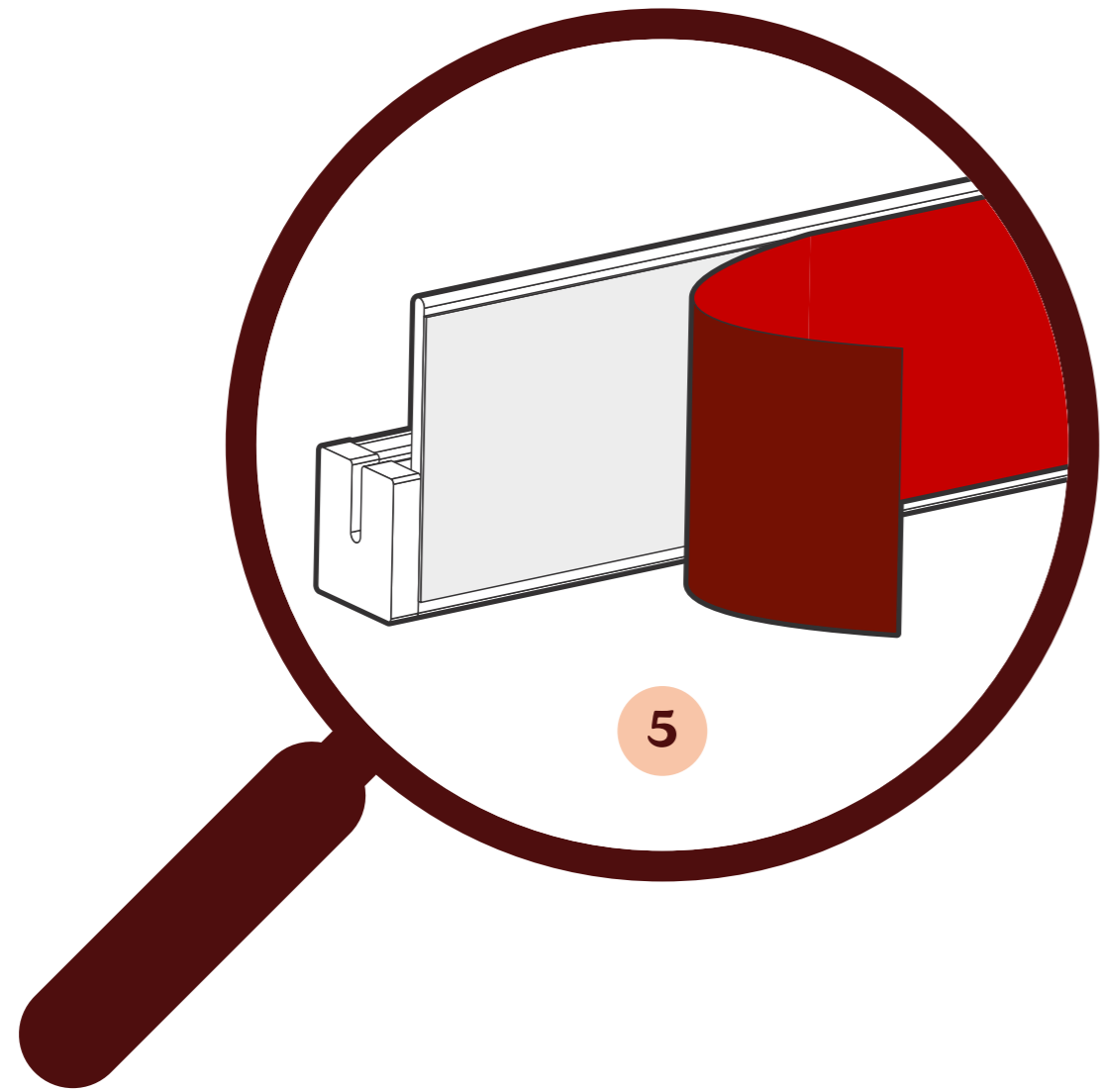
Use soapy water and a cloth, then the alcohol wipes provided, to clean the glass, especially across the top (1) and bottom (2). The cleaner the surface, the better the blind will adhere, so make sure it's entirely free of any dirt or dust. ***Leave until the glass is fully dry before moving onto the next step.***

Section 2 Installing the Blind



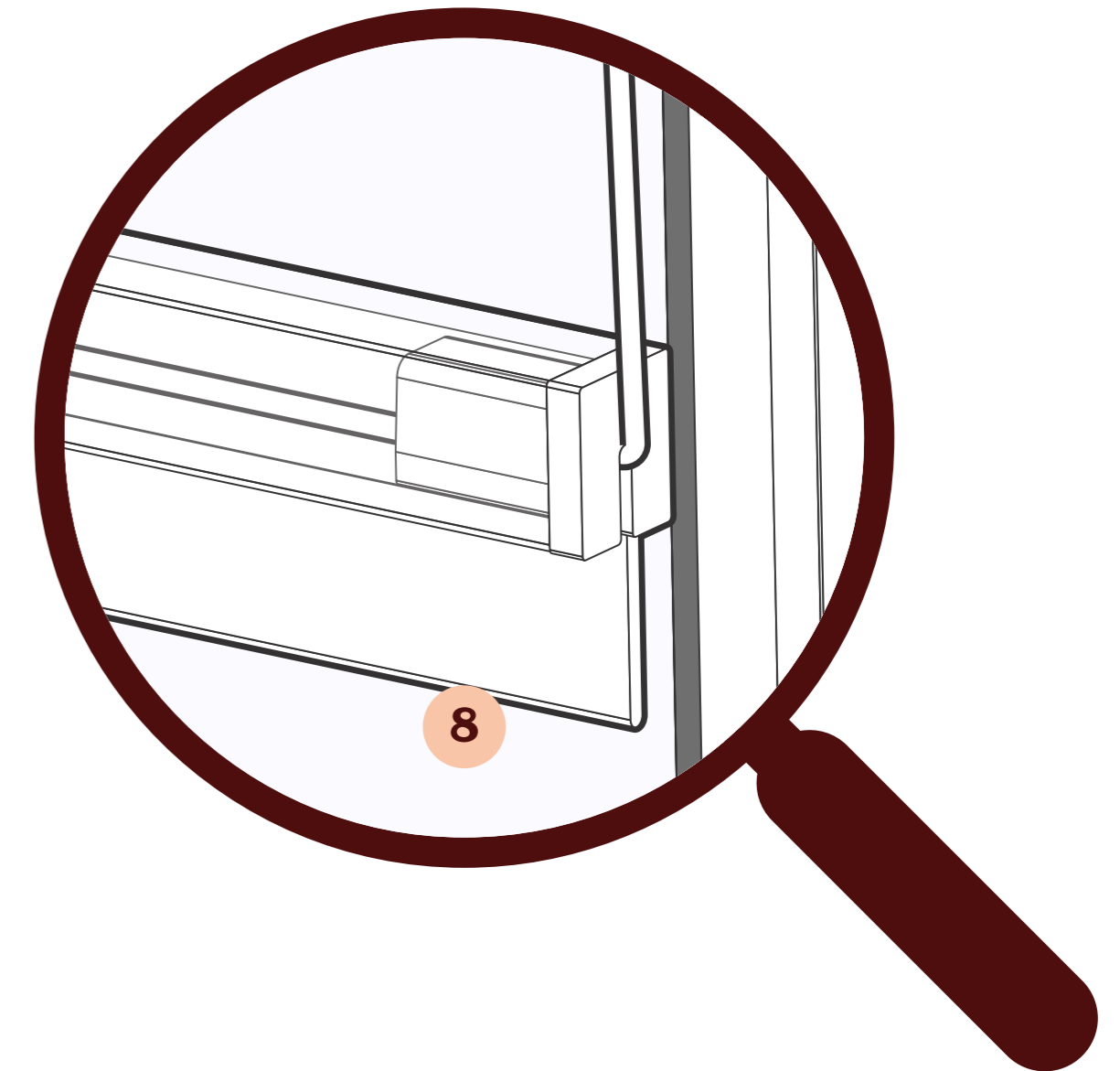
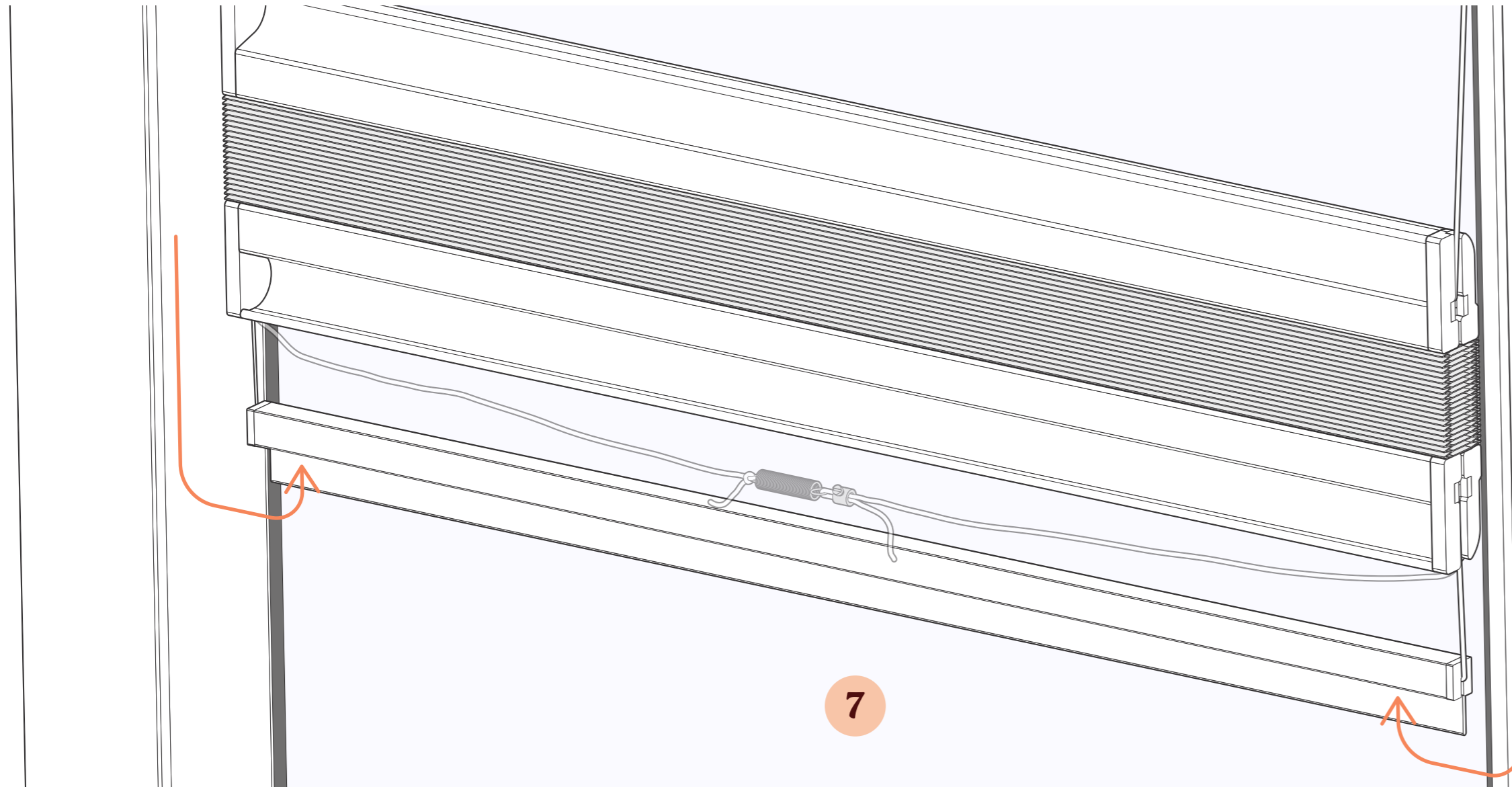
Take the two knotted ends of the top cords at either side of the blind, and hook each knot over and into the slots at the ends of the top rail, so the blind is suspended from the top rail by those two cords (3 / 4). ***Hold it steady as you continue, so the cords don't slip out.***

Section 2 *Installing the Blind*



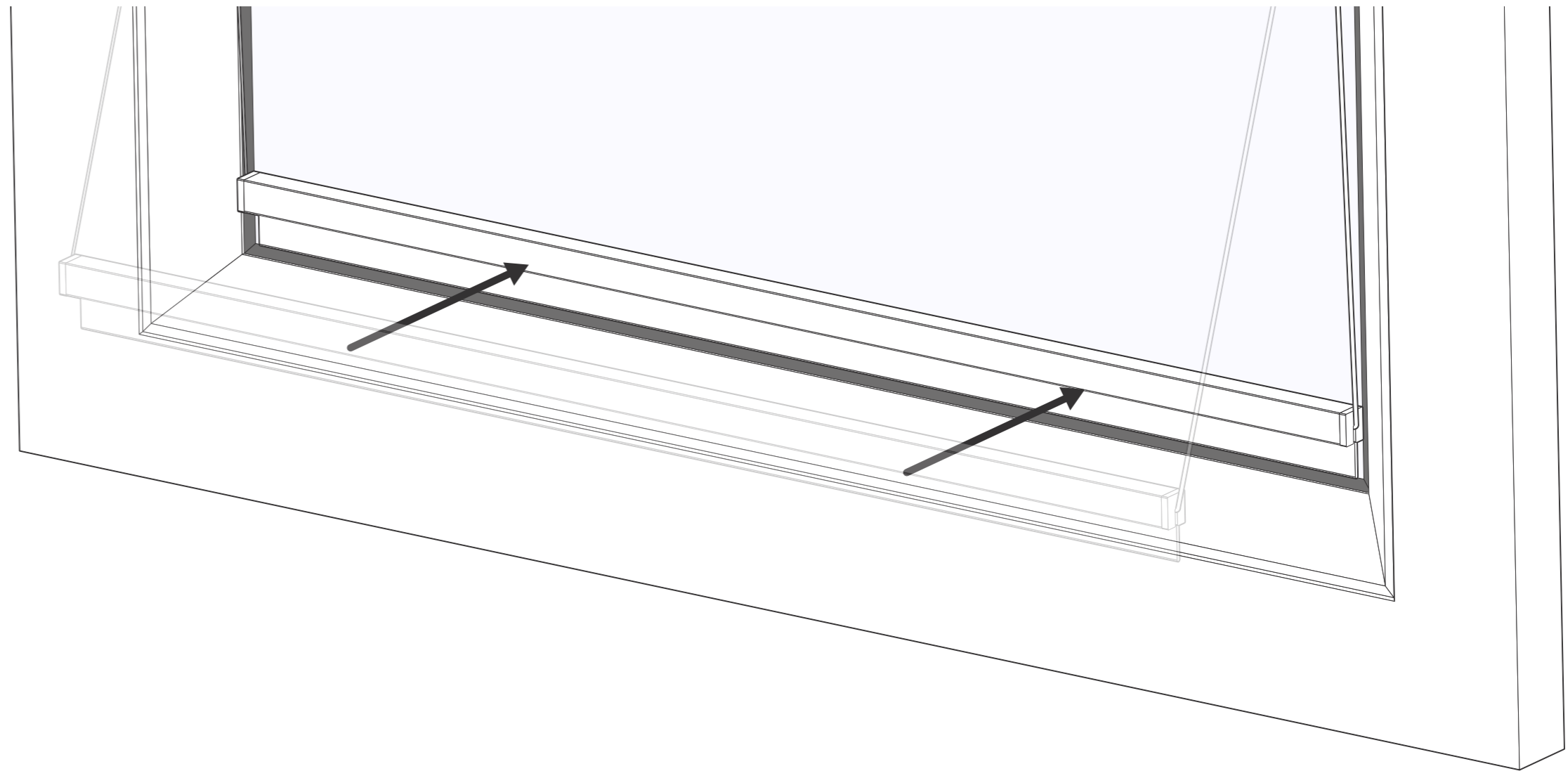
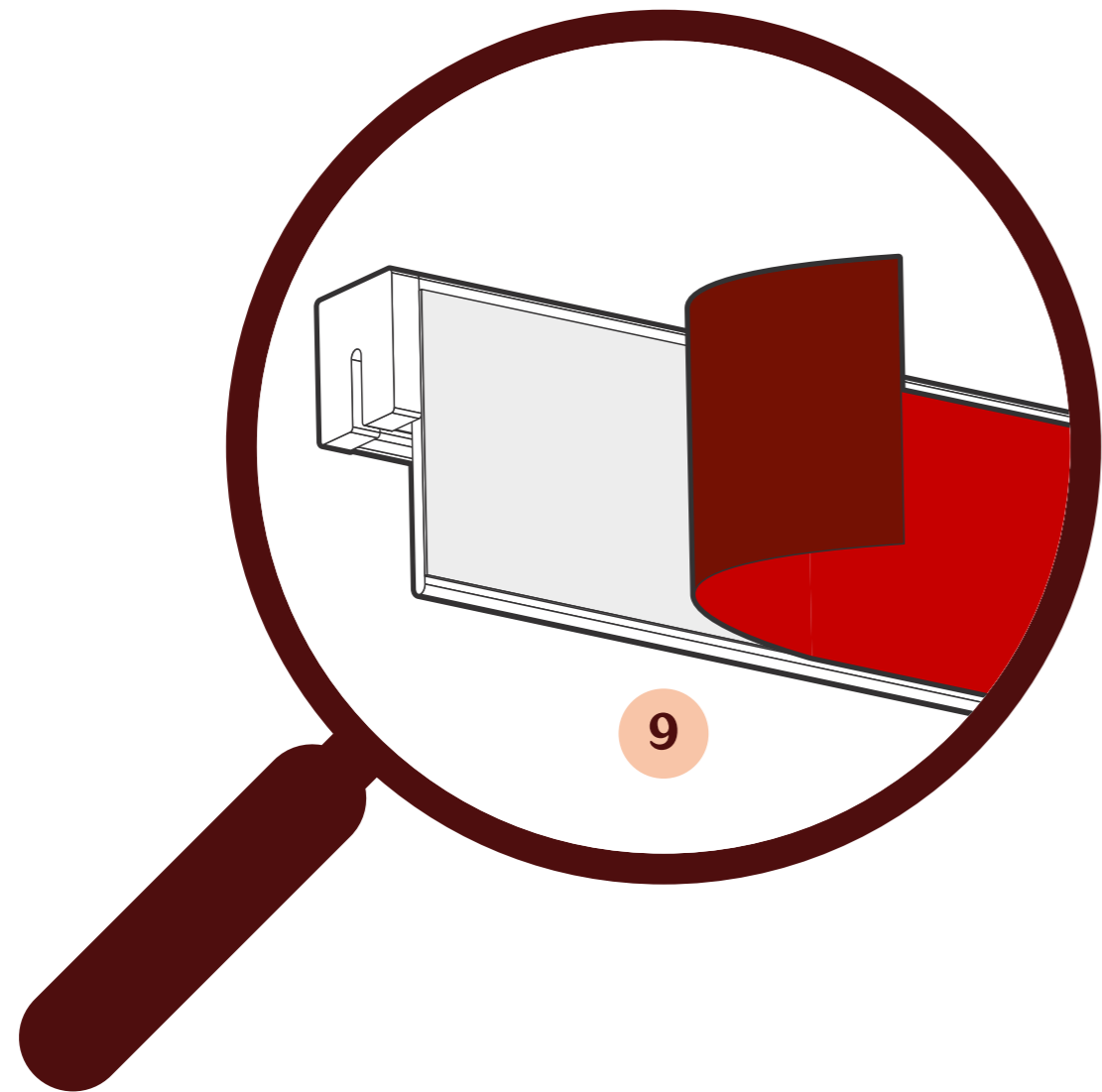
Remove the adhesive cover from the back of the top rail (5). Carefully line up the top rail with the top of the visible glass. Make sure that the top of the top rail is flush with the edge of the rubber seal, if the seal is visible, or the edge of the frame if it is not. Press the adhesive-backed v to the glass and hold until it feels secure (6).

Section 2 *Installing the Blind*



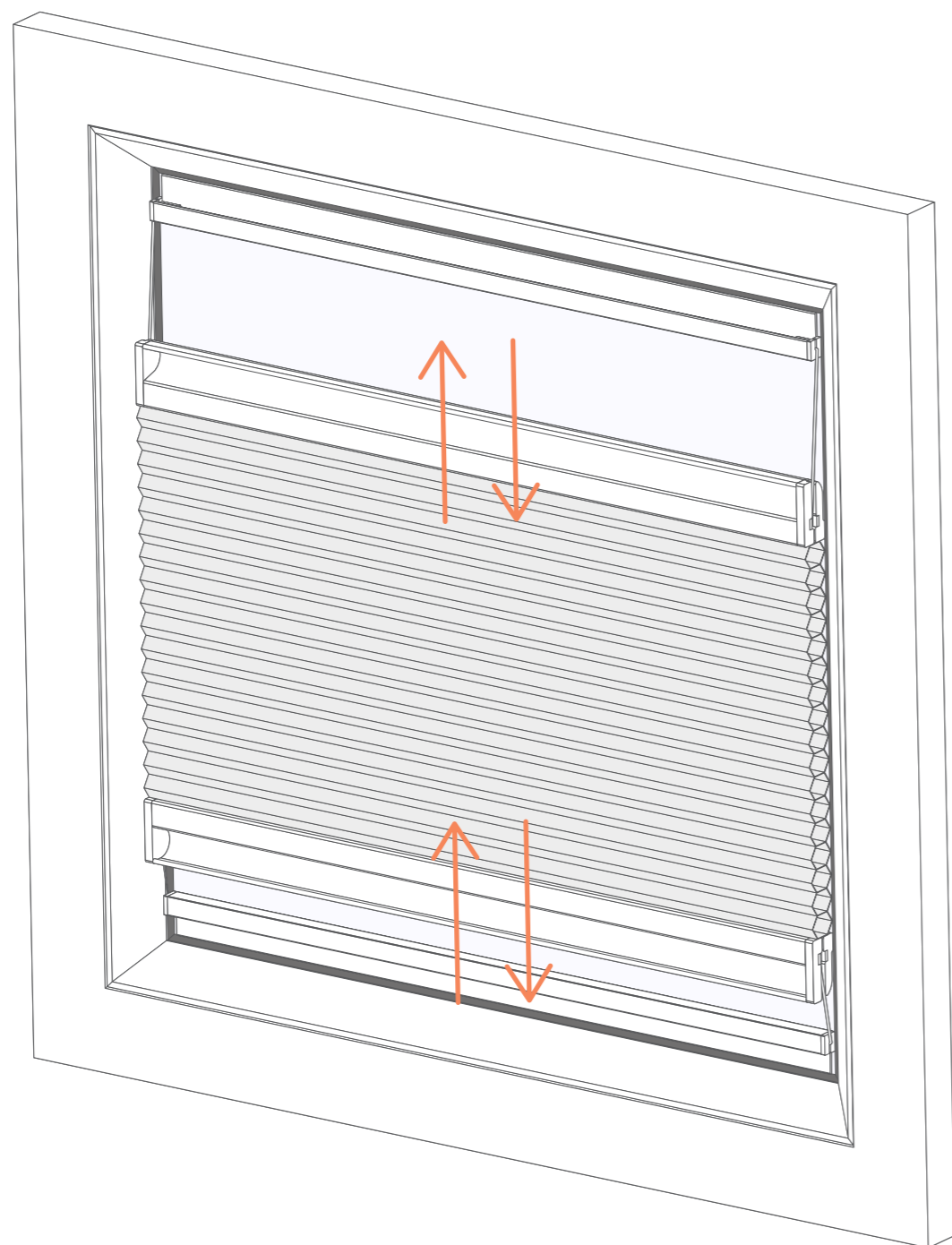
Take the bottom cord and loop it under the bottom rail, so that the cord rests in the notches at the ends of the rail (7 / 9). ***Try to keep the spring to which the ends of the cords are attached in roughly the centre.***

Section 2 *Installing the Blind*



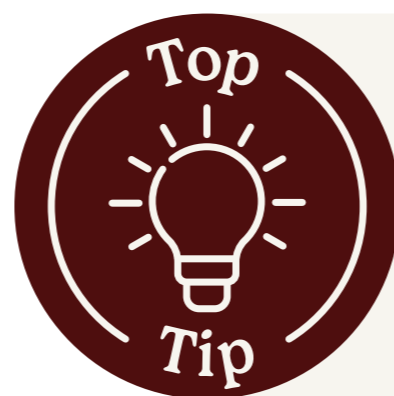
Remove the adhesive cover from the back of the bottom rail (9). Pull the bottom rail out towards the bottom of the window, stretching out the cords. Just like the top rail, line up the bottom rail carefully with the edge of the visible glass and press it into place (10).

Section 2 *Installing the Blind*



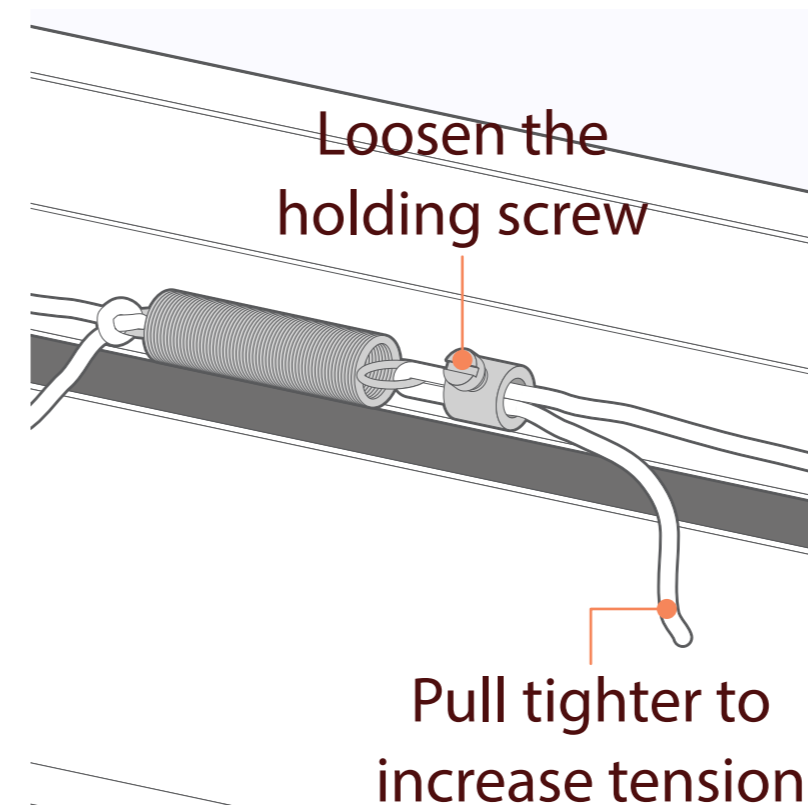
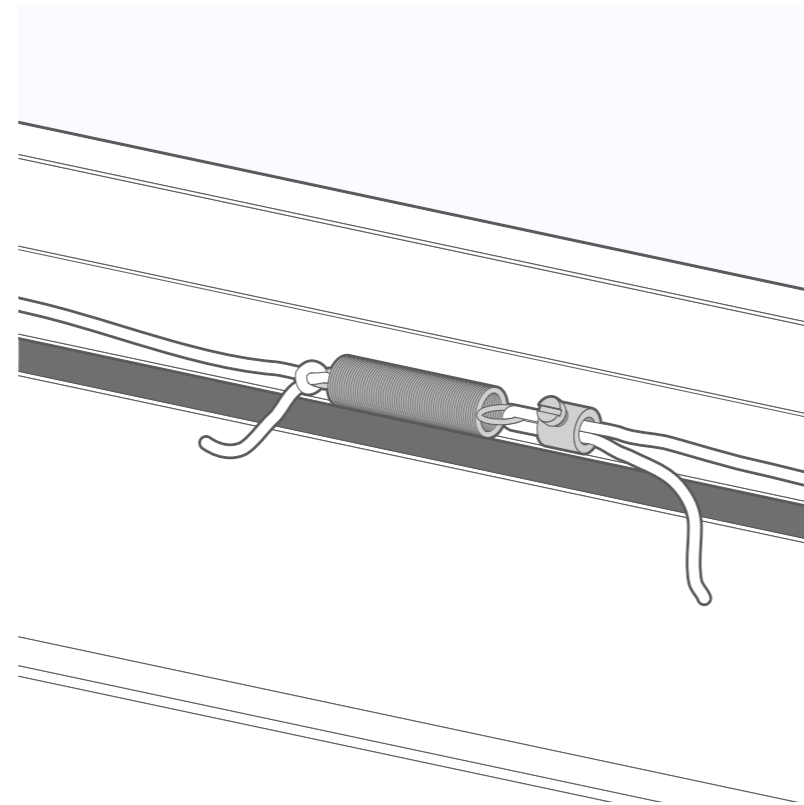
Use the bars at the top and bottom of the fabric to raise and lower it. Since the blind is suspended on cords, you can expand or contract the fabric, and raise or lower it, to any height. Cord tension will keep it in position.

And that's it! Your beautiful new blind is installed and ready to enjoy.



Please leave the blind in place for at least 30 minutes before using it. This gives the adhesive enough time to cure and prevents any slippage when you raise or lower the blind.

If you find that the blind does not stay in position when fully raised and begins to slip down, this usually means that there isn't quite enough tension in the blind's cords to hold it up. Increasing the tension is easy to do and will usually resolve the problem.



Pull out the spring from behind the bottom rail. One side will be tied to the spring, whilst the other is secured by a holding screw. Hold onto the cords that are secured by the screw, and loosen the screw so that the cords can move. Pull the end of the cord through (away from the spring) to increase the cord tension - only make a small adjustment to start, pulling through roughly 10mm of cord, then tighten the holding screw. Test the blind by fully raising it, to see if it stays in position. If it does then the tension is correct; if it does not, simply add another small amount of tension and try again.