

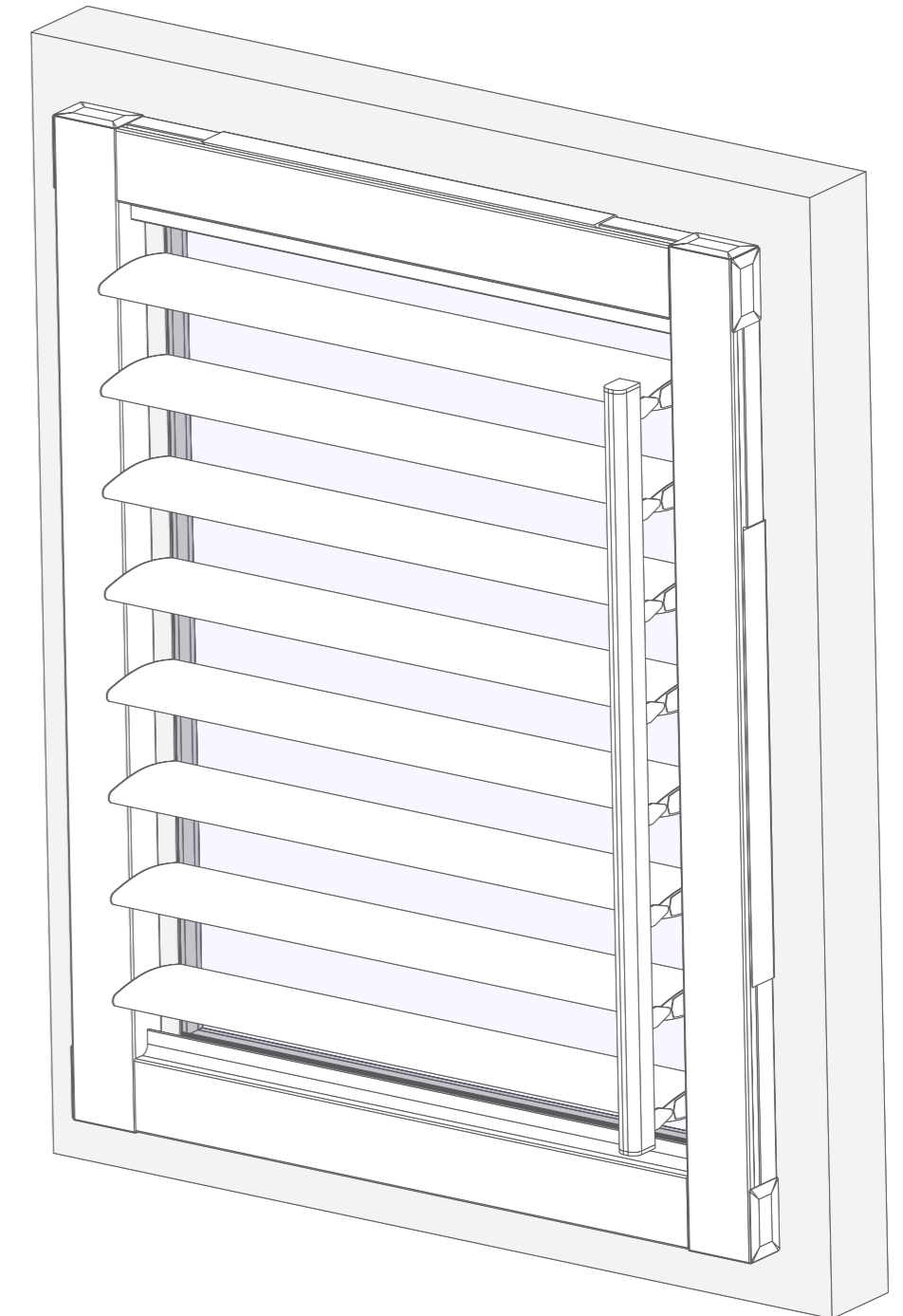
Turn your phone or tablet

Our guides are best viewed in landscape if you're viewing on your phone or tablet.

Designed for *DIY*

Our Stick On Shutter Blinds are designed to be installed by you, without specialist fitters, even if you don't have much DIY experience.

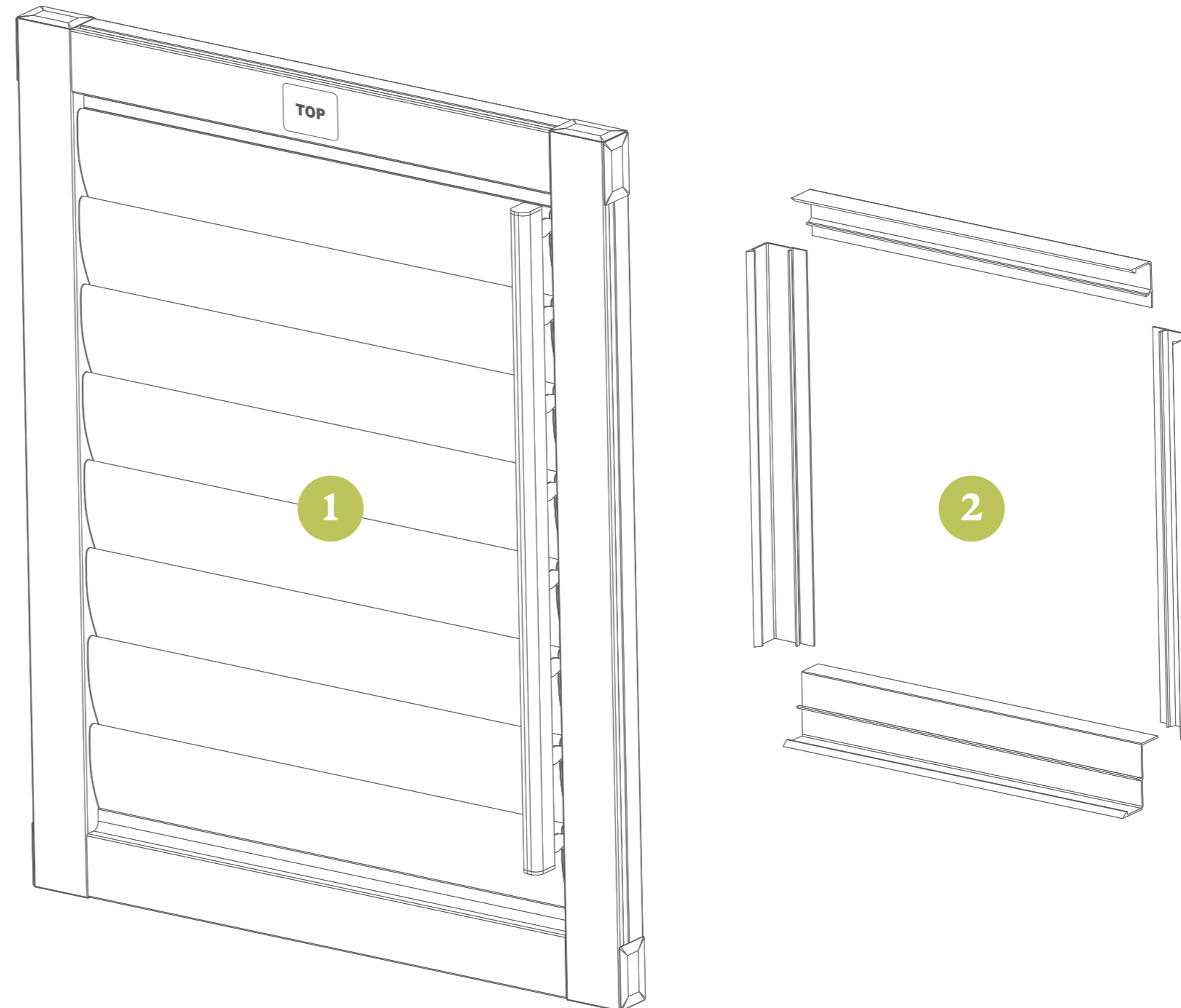
Please read each page of this guide carefully during installation, following along one step at a time.

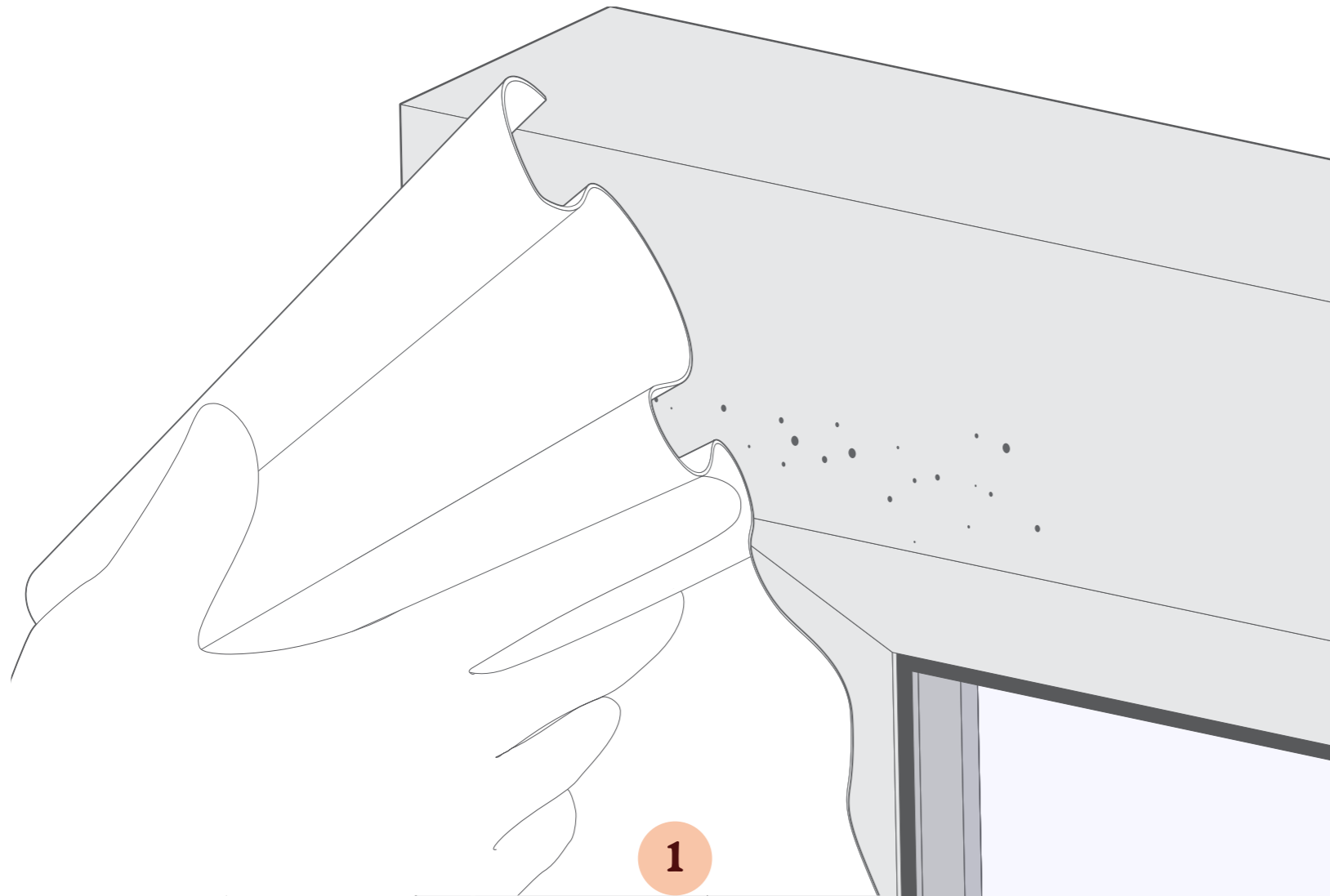


Parts included *in your order*:

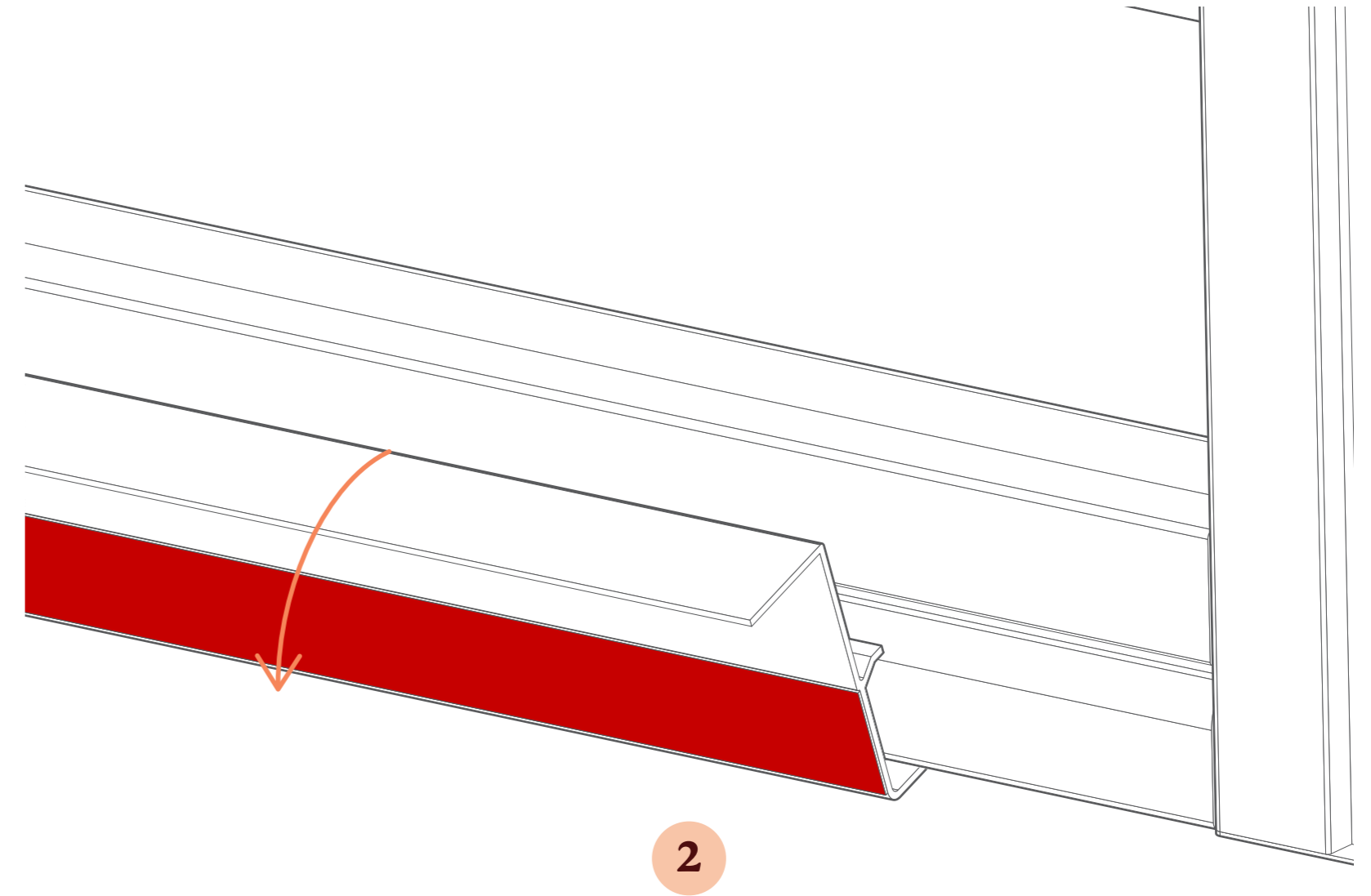
- 1 Shutter panel(s) *
- 2 Adhesive brackets

** If your shutter has been split into multiple panels, Please check the 'Top Tips' page at the end of this guide before you begin installing*



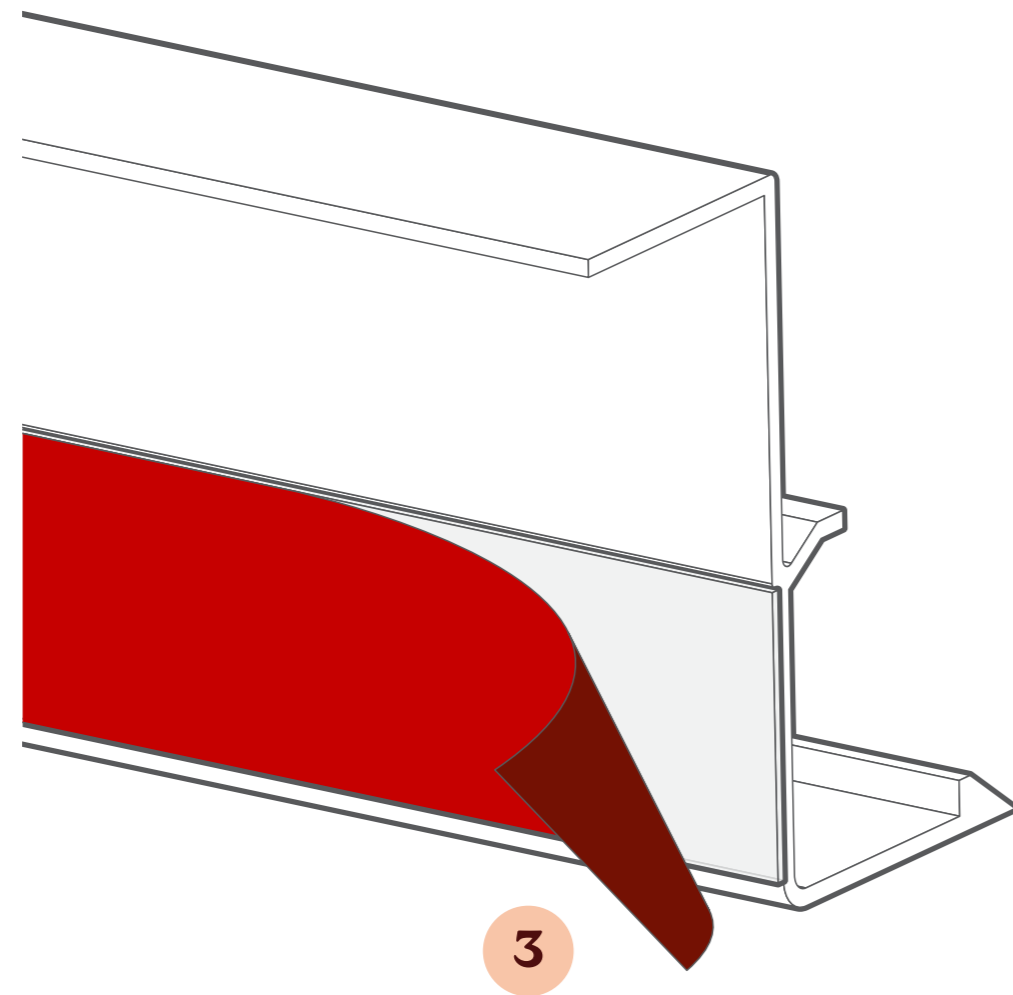


Start by thoroughly cleaning the window frame, particularly the flat area of the frame to which your shutter will stick (1).

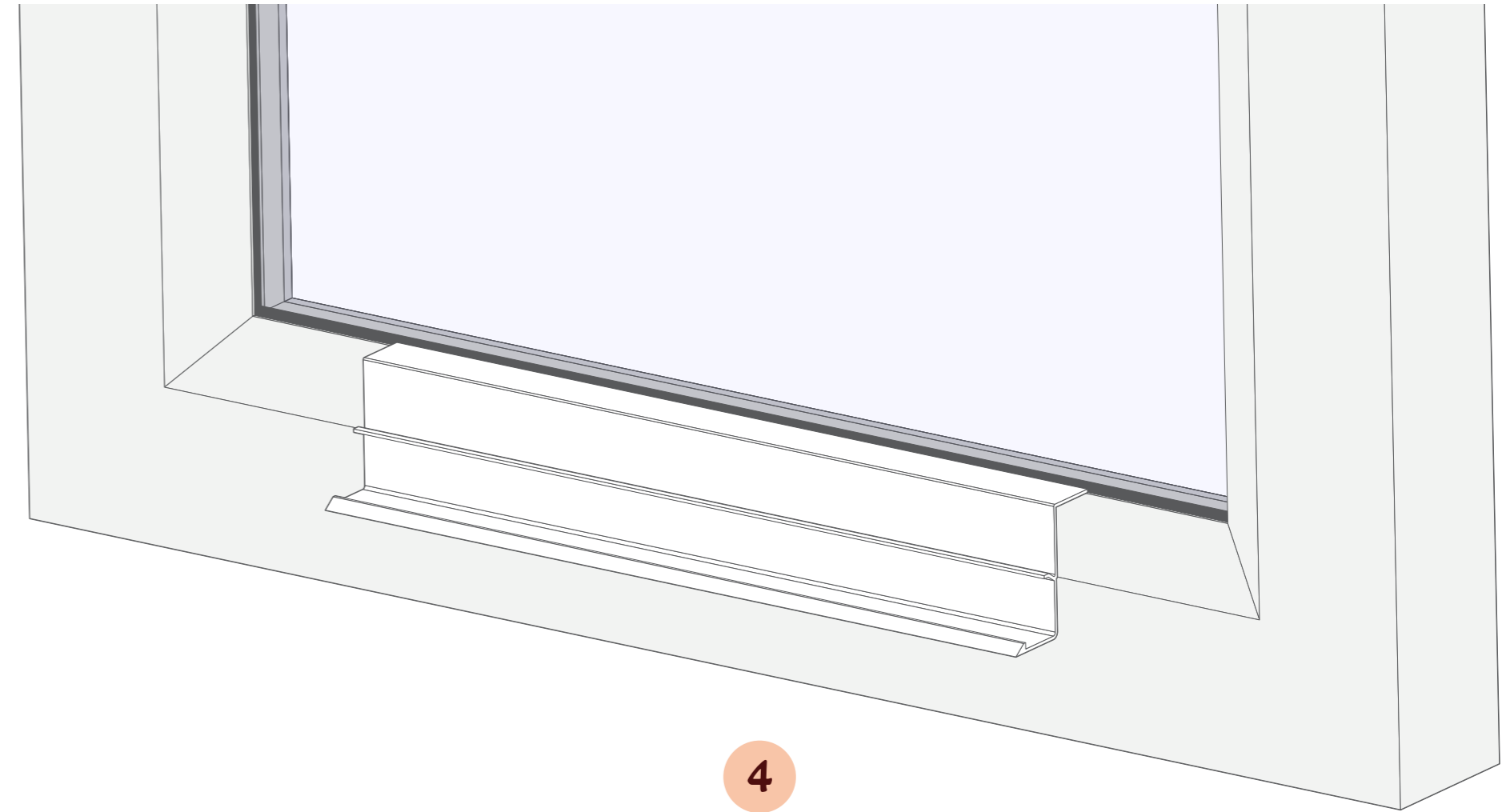


Unclip the bracket from the bottom of the shutter panel (leave the rest attached). An easy way to do this is to reach around the back of the panel and twist the bracket off (2).

Section 2 *Installing the Blind*

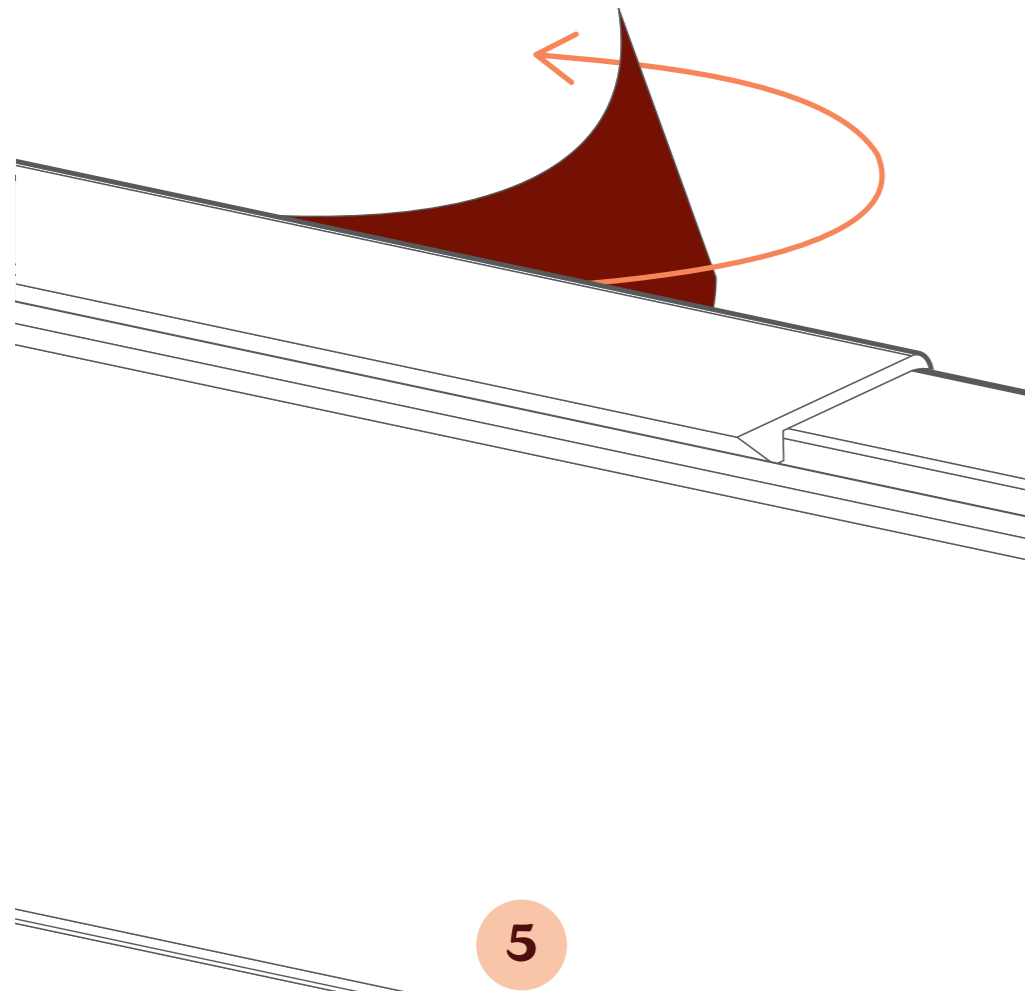


Peel the covers from the adhesive strips on the bracket you removed (3).

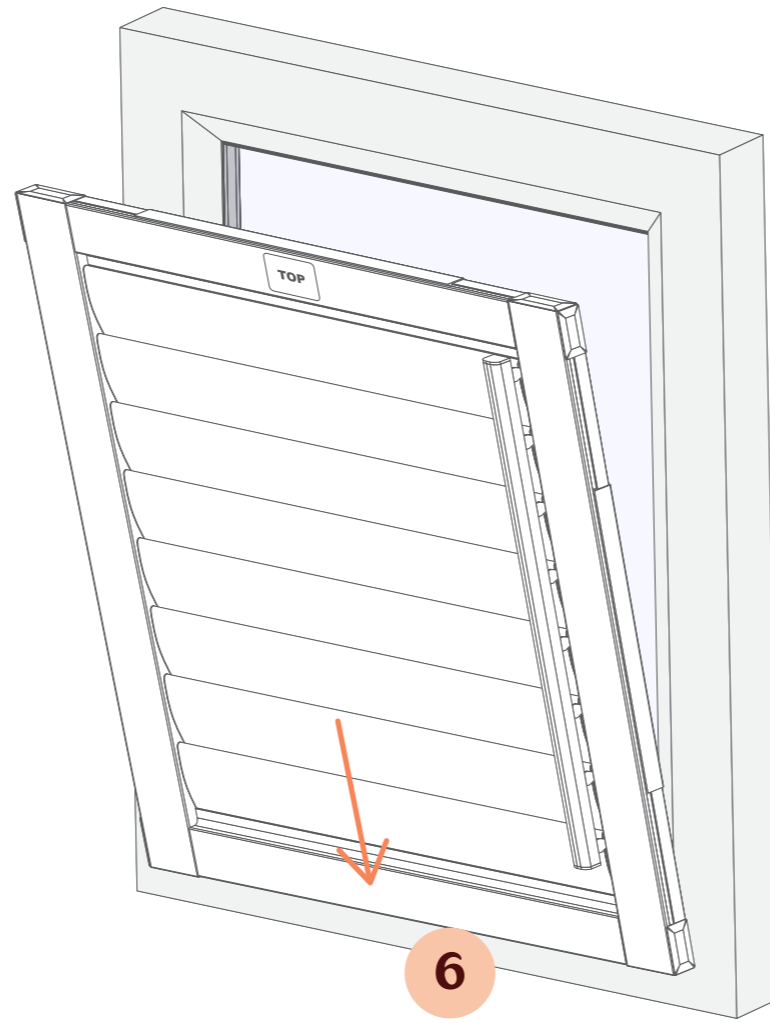


Line up the bottom bracket with the centre of the window, so that the lip at the back is lined up with the bottom of the glass. Press it against the window frame and hold it for a few seconds until it adheres (4).

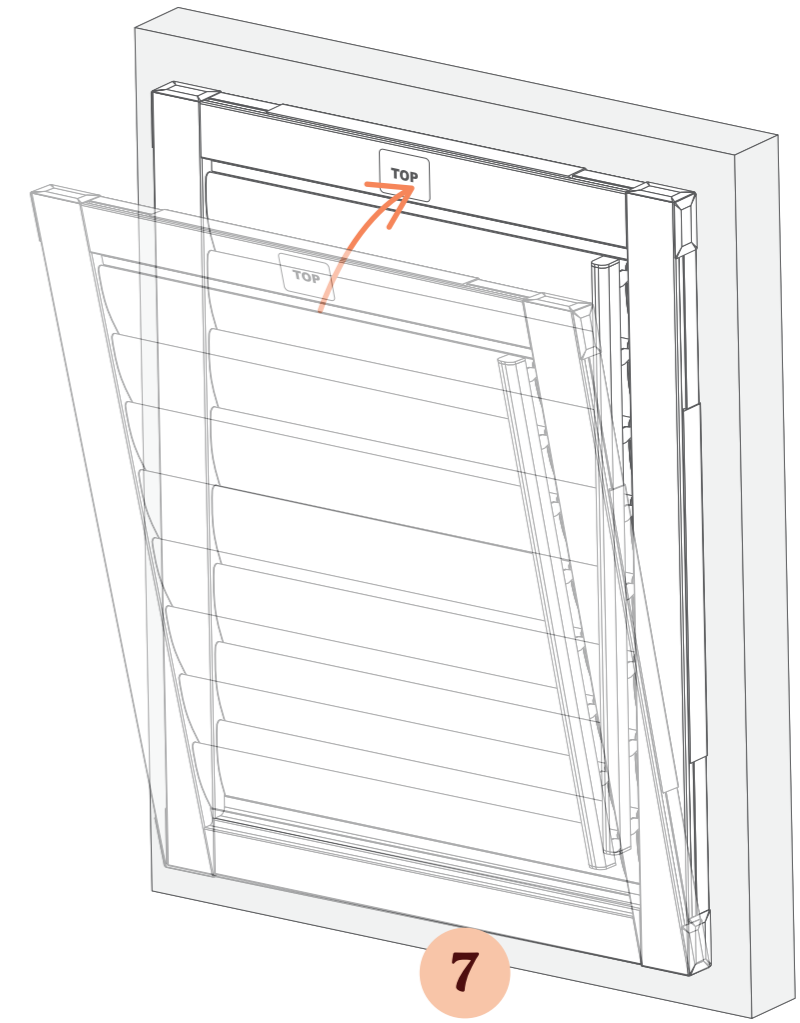
Section 2 *Installing the Blind*



Remove the adhesive covers from the rest of the brackets, which are still attached to the shutter (5).

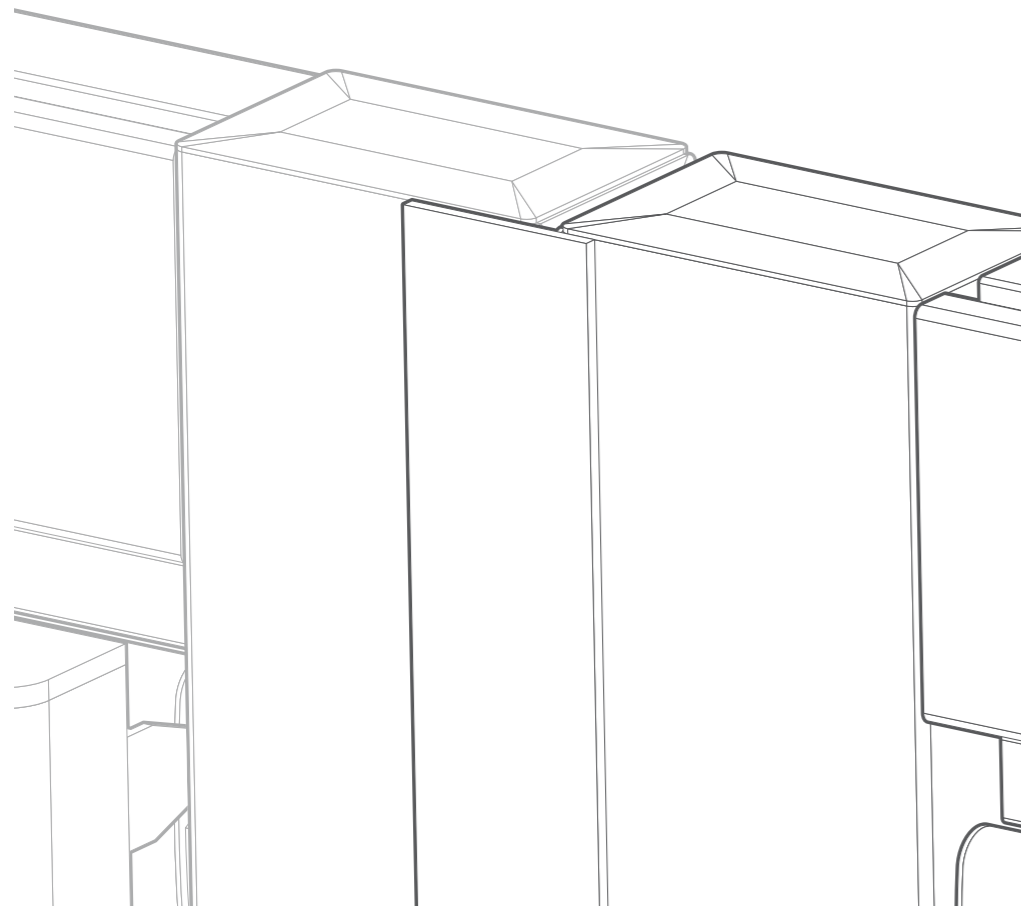


Rest the bottom of the shutter on the bottom bracket you attached to the window (6).

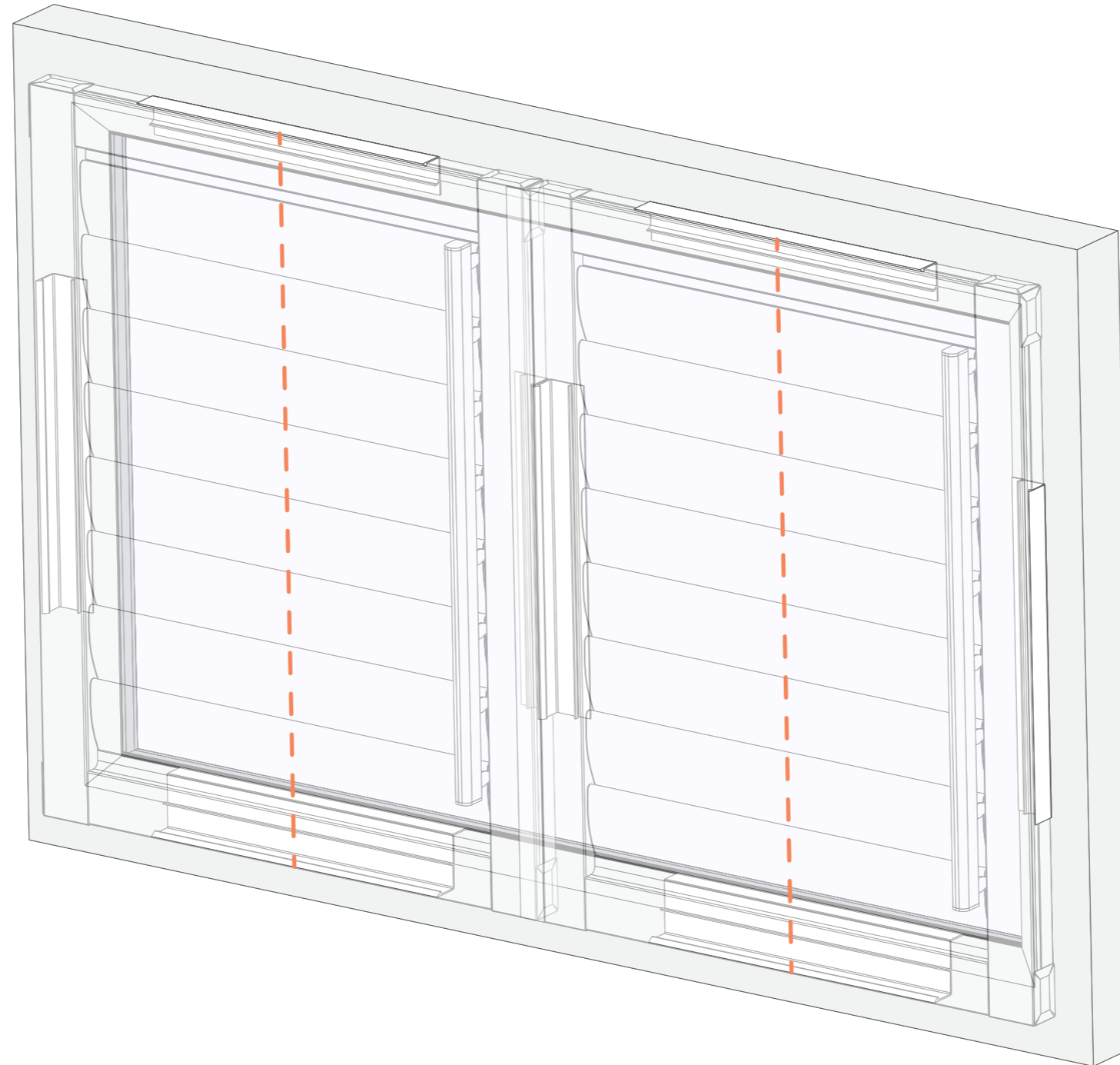


Make sure the shutter is central to the window, then press it back against the window frame and hold for a few seconds until the brackets adhere (7).

Section 2 *Top Tips for Multiple Shutter Panels*



If your shutter is split into multiple panels, one of them will have a lip along its edge. This will overlap the edge of the other panel to cover the gap between them.



When lining up the brackets for a multi-panel shutter, the top and bottom brackets should be lined up with the centre of each shutter panel, not the centre of the window.