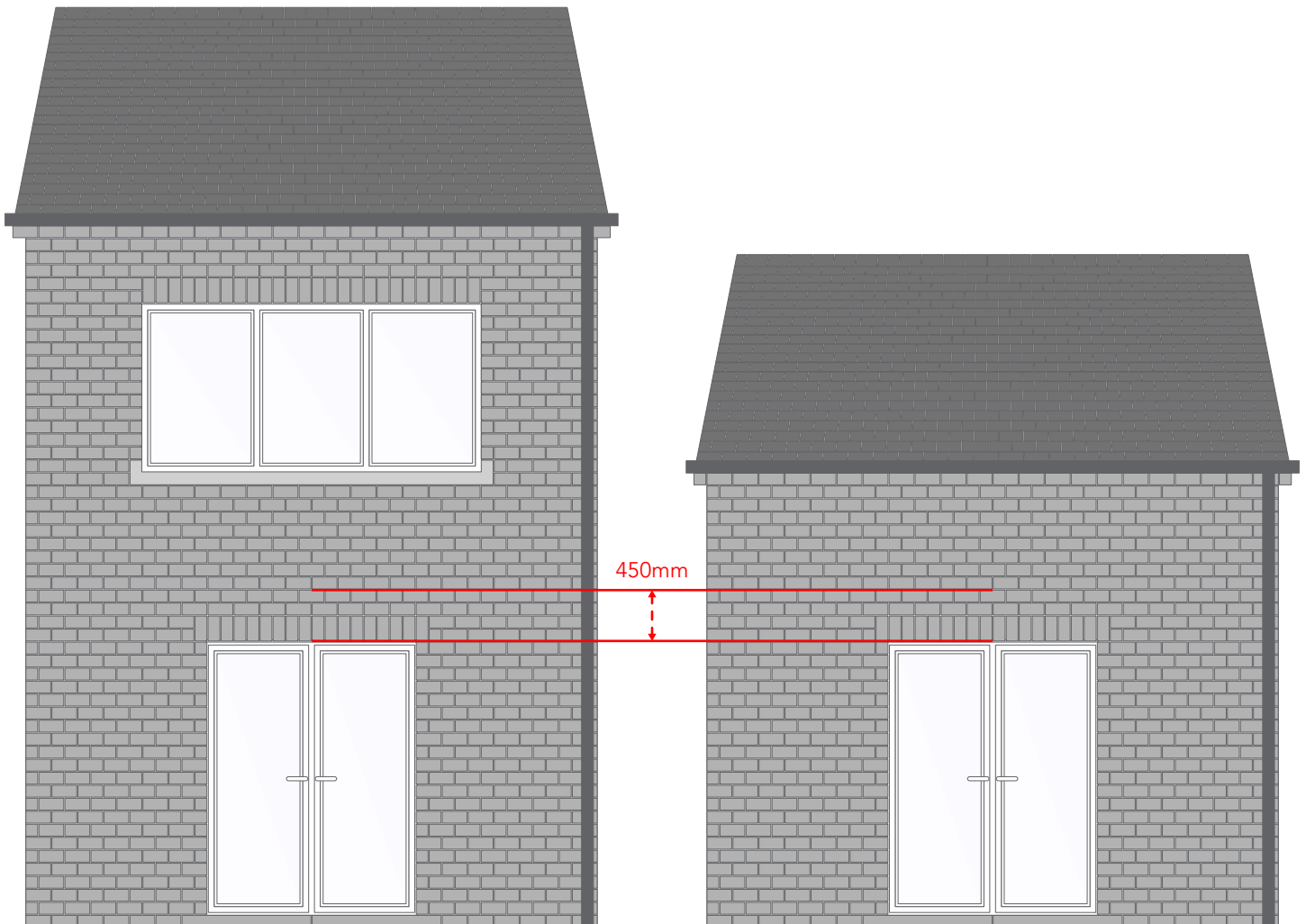
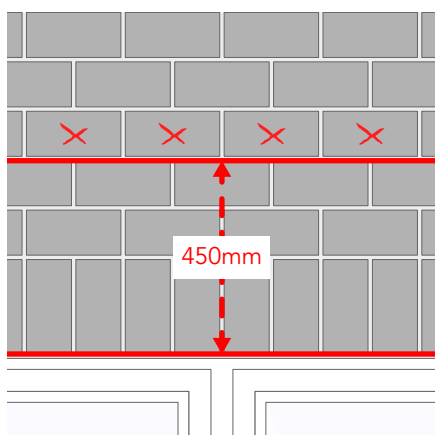


Our awnings are provided in ready-made sizes, rather than made to measure, but there are still a couple of details to check to decide whether your wall is suitable. Grab a tape measure and some chalk (and possibly a step ladder), this should only take you a few moments.



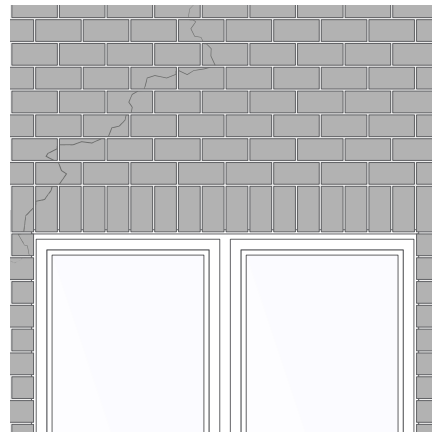
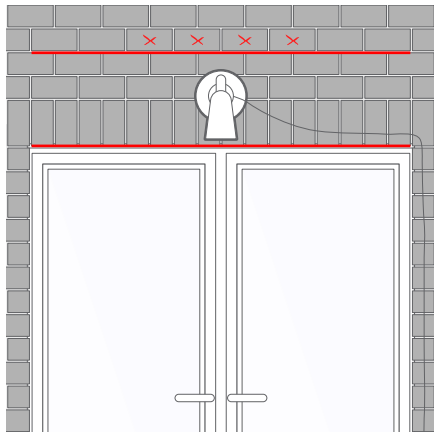
First, measure 450mm up from the top of the window or door above which you'll be fitting the awning.



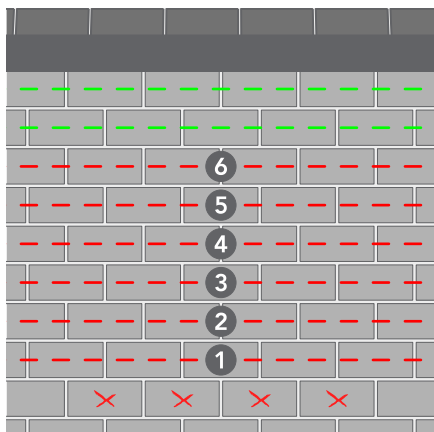
Top Tip

If the wall you're fitting to doesn't have a door or window to measure up from, simply measure up from the ground. We recommend installing the awning at least 2500mm up, so simply measure from the ground up to this height and mark the row of bricks above it.

Using chalk or a pencil, mark the row of bricks at the top of the 450mm measurement. If 450mm falls on the mortar between two rows, mark the row above.



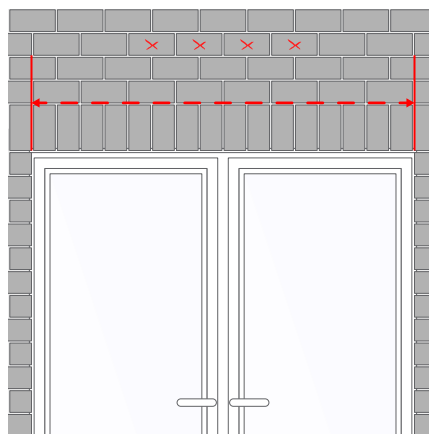
Before moving forward, check that there are no obstructions below your marked row, such as mounted lights. If there are, you may be able to remove and relocate them. **Importantly, also check for any structural damage anywhere close to where the awning will be fitted, such as significant cracks in the brickwork** - whilst not necessarily a concern by itself, this damage could render the structure too weak to hold the weight of the awning.



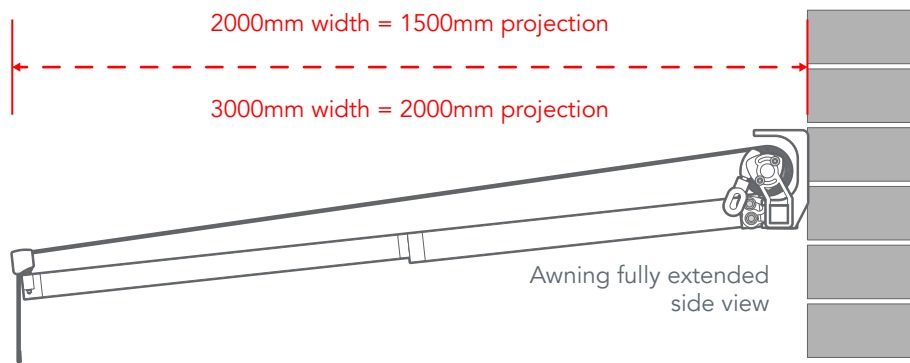
IMPORTANT

It is especially important that you check the number of brick rows above your measurement, as there needs to be a certain amount of structural weight above the awning to hold its weight. Installing the awning without sufficient support could cause serious problems.

If the fitting area is clear, continue by counting upwards from your marked row. There need to be a minimum of 6 rows of bricks above your marked row, before you reach either the roof line or a second-storey window sill.



Finding the right width is the easiest part - simply measure the width you'd like to cover, then when it comes to ordering, choose an awning size that's wider than this. For example, if you want to cover a width of 1800mm, choose our 2000mm awning.



Finally, check that there will be nothing in front of the awning that might be in a position to block it as it projects out, like trees or structures in the garden.

If you're fitting into an L-shaped space, obstructions could include things on the adjacent wall like pipes, protruding lights or various other fittings. The wider the awning is, the further it will project out.