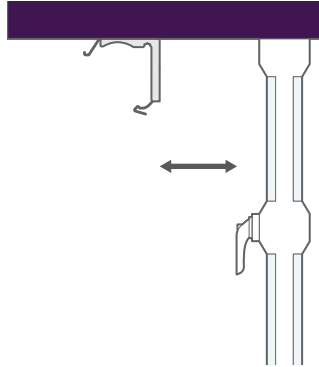
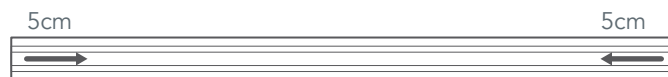


If you upgraded to a Click2Go rail, please skip to page 2.

Locating the brackets



Ensure that the back of the bracket sits clear of any protruding items such as window handles or vents. This will allow the blind to hang correctly once installed.

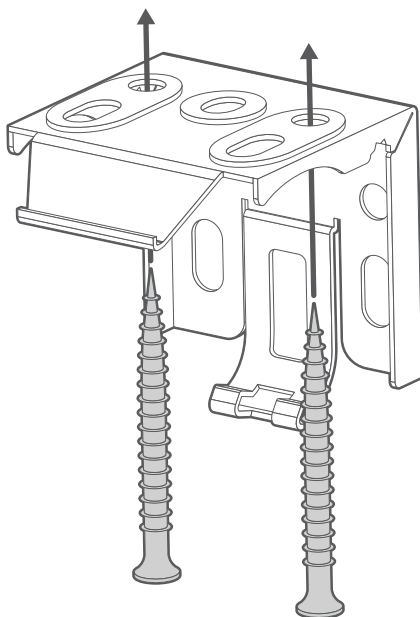


The position that you place the outermost brackets must be 5cm away from the end of the rail. Any additional brackets (supplied for wider blinds) can then be evenly distributed across the window space. Use a pencil to mark the window area where the brackets will be positioned.

Fitting the brackets

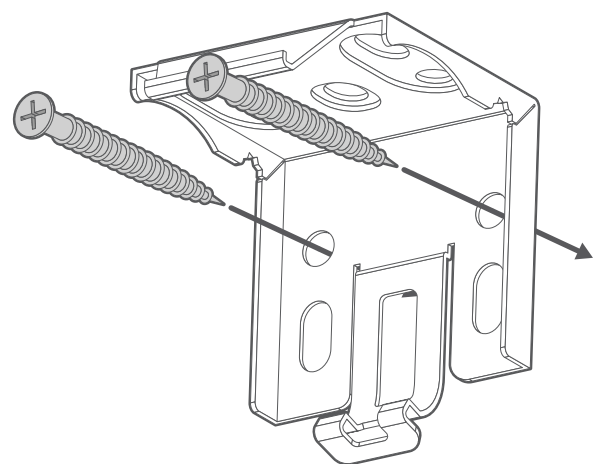
1

The brackets offer two methods of installation:



Top-Fixing

Use the single hole in the top of the bracket to fix to the lintel (the 'ceiling' of the recess).

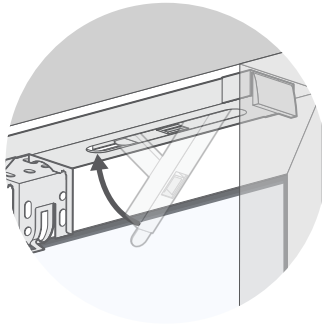


Face-Fixing

Use two screws through the back plate to mount onto a facing surface (a wall or window frame)

If you upgraded to a Click2Go™ rail

The brackets will be attached to the Click2Go™ rail for you already; you'll simply need to fit the rail into the recess, then fit the blind into the pre-attached brackets.

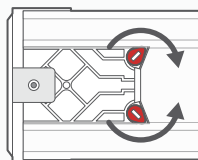


Hold the Click2Go™ rail up against the top of the recess, then push the lever firmly upwards until the rail snaps into place. If the rail is not quite tight enough then this can be easily adjusted:

Top Tip

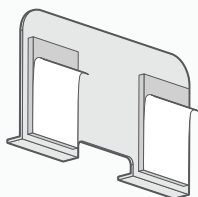
Make sure that the lever is loose and hanging down from the rail, and that the grip pad is flush with the end of the rail, before trying to place the rail into the recess. If the lever is pushed in and the pad extended, the rail will be too tight to fit in the recess.

OPTIONAL

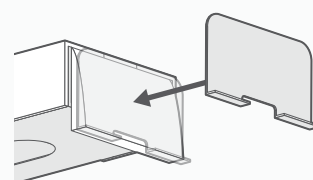


At the end of the rail opposite to the lever there is an adjustment block that allows you to fine-tune the fitting of the rail. Use a flat-head screwdriver to twist the small red plugs in toward the centre of the rail. Slide the block out of the rail by a few millimetres, then twist the red plugs back into their original position to fix the block in place. **Make small adjustments only**, repeating as necessary for a tight fit.

OPTIONAL



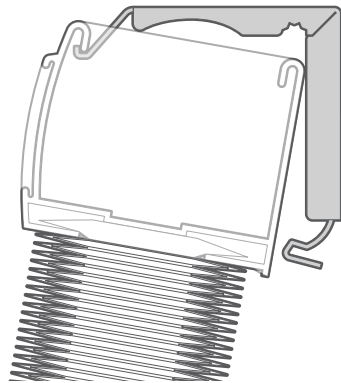
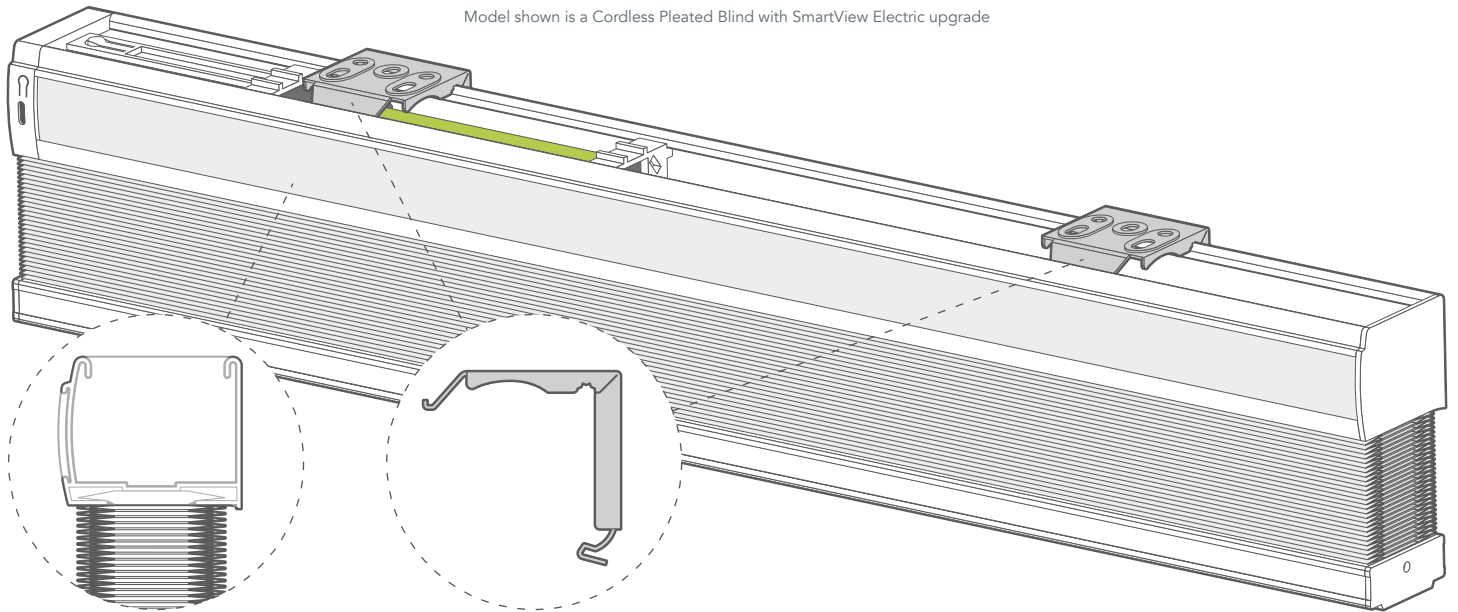
Friction plates are provided with the fittings, but these are only necessary if you find that the Click2Go™ rail slips against the wall of your recess once the blind is fitted.



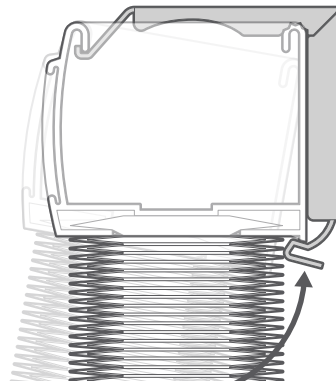
To fit them, peel the covers from the sticky pads on the back, then stick one to each end of the Click2Go™ rail, as shown.

Fitting the blind

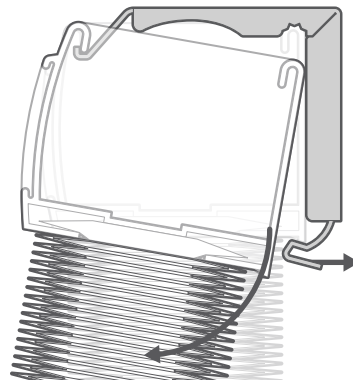
Model shown is a Cordless Pleated Blind with SmartView Electric upgrade



Situate the front lip of the headrail into the front hook of the bracket.



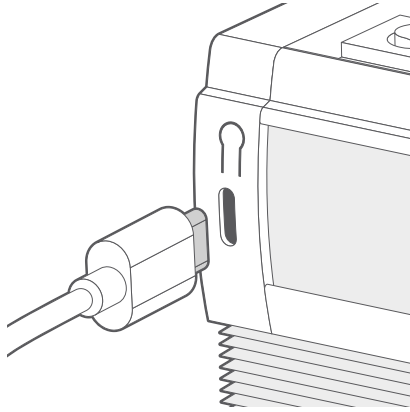
Push the back of the headrail upwards to engage the metal clip at the back of the bracket.



To remove the blind from the brackets, insert a flat head screwdriver into the tab protruding from the bottom of the rail, then gently pry it back while tilting the back of the rail downwards. Repeat this carefully for each bracket to release the rail.

Additional Information

SmartView Electric Blinds



We recommend plugging in the motor to allow it to fully charge before use. Plug the charging cable (included) into the motor charging port (behind the fabric) and allow to charge until the LED on the charger plug turns green.



On the front of the swing tag that comes with your blind, you'll find a handy QR code you can scan with your phone. Scan this to download the SmartView app, and the app will guide you through the rest - you'll be setting up your blinds in moments!