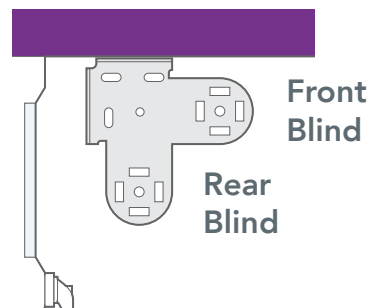


### Before you begin

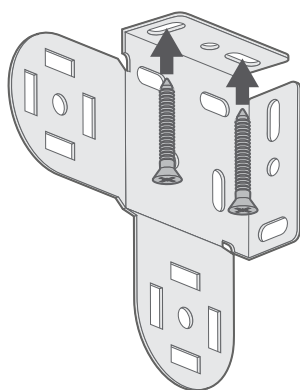
The front blind should be the one highest and closest to you, so make sure that when marking out where to put your brackets you have one round section pointing toward you and the other pointing down.



### Fitting the brackets

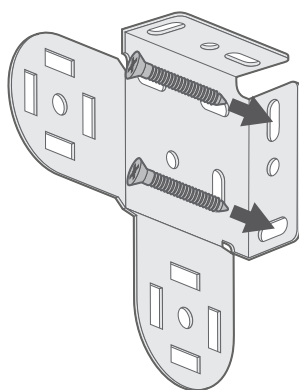
1

The brackets offer three methods of installation:



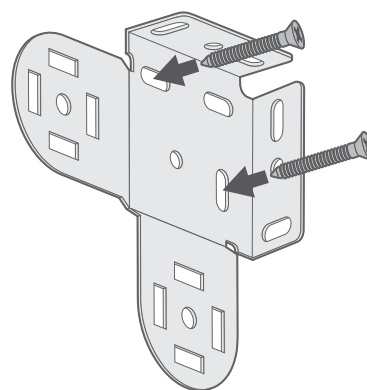
**Top-Fixing**

Where the brackets are screwed into the lintel (or 'ceiling' of the recess)



**Face-Fixing**

Where the brackets are screwed onto a facing surface (a wall or window frame)



**Side-Fixing**

Where the brackets are screwed into the side walls of the recess

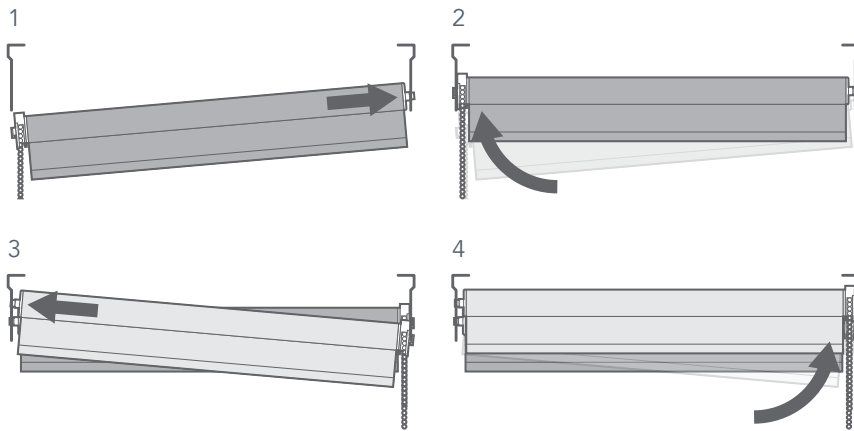
### Top Tip

Top-fixing or face-fixing are recommended for most installations, whereas **side-fixing** is only recommended if the width you gave us was taken right at the top of the recess.



**Fitting the blind**

**2**



Install the rear blind first. Begin by slotting the 'pin' end into the circular hole in the bottom part of the bracket.

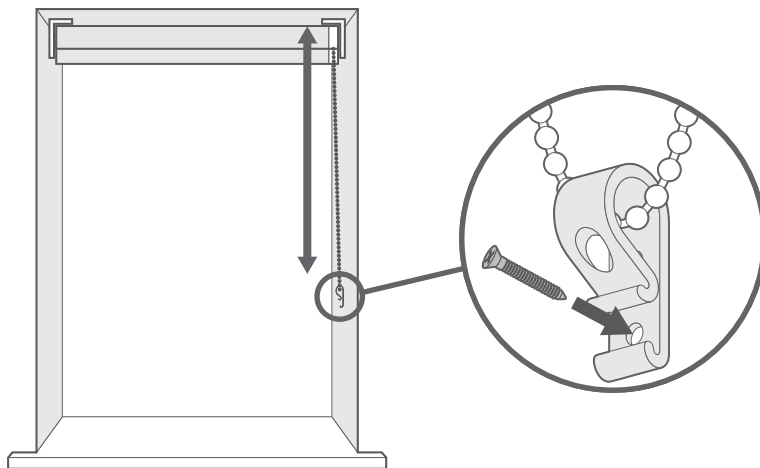
Lift the 'control' end and slot it up into the notches on its bracket, then push down on it gently to ensure it's fixed in securely.

Repeat the process for the front blind, starting with the pin at the opposite end to the rear blind.

**Cord Tensioner**

**Child Safety**

**3**



The cord retaining device must be installed at the maximum distance possible from the control mechanism to prevent looped cords from becoming slack.

Place the retaining device on the wall (one for each chain) and mark the position of the screw hole(s) with a pencil.

Attach the retaining device to the wall using the fixings provided.