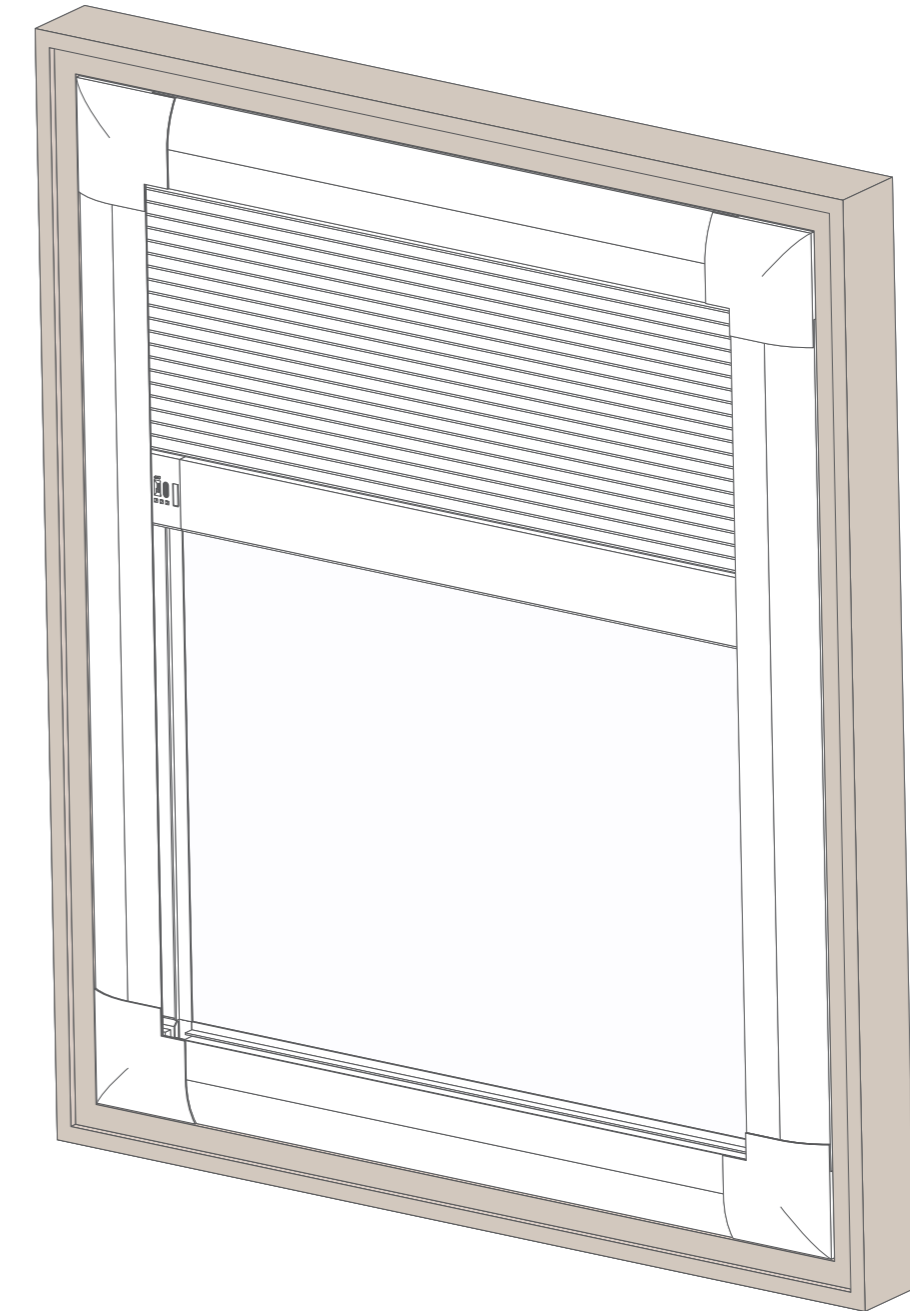


Designed for DIY...

Our Electric Pleated Skylight Blinds are designed to be installed by you, without specialist fitters, even if you don't have much DIY experience.

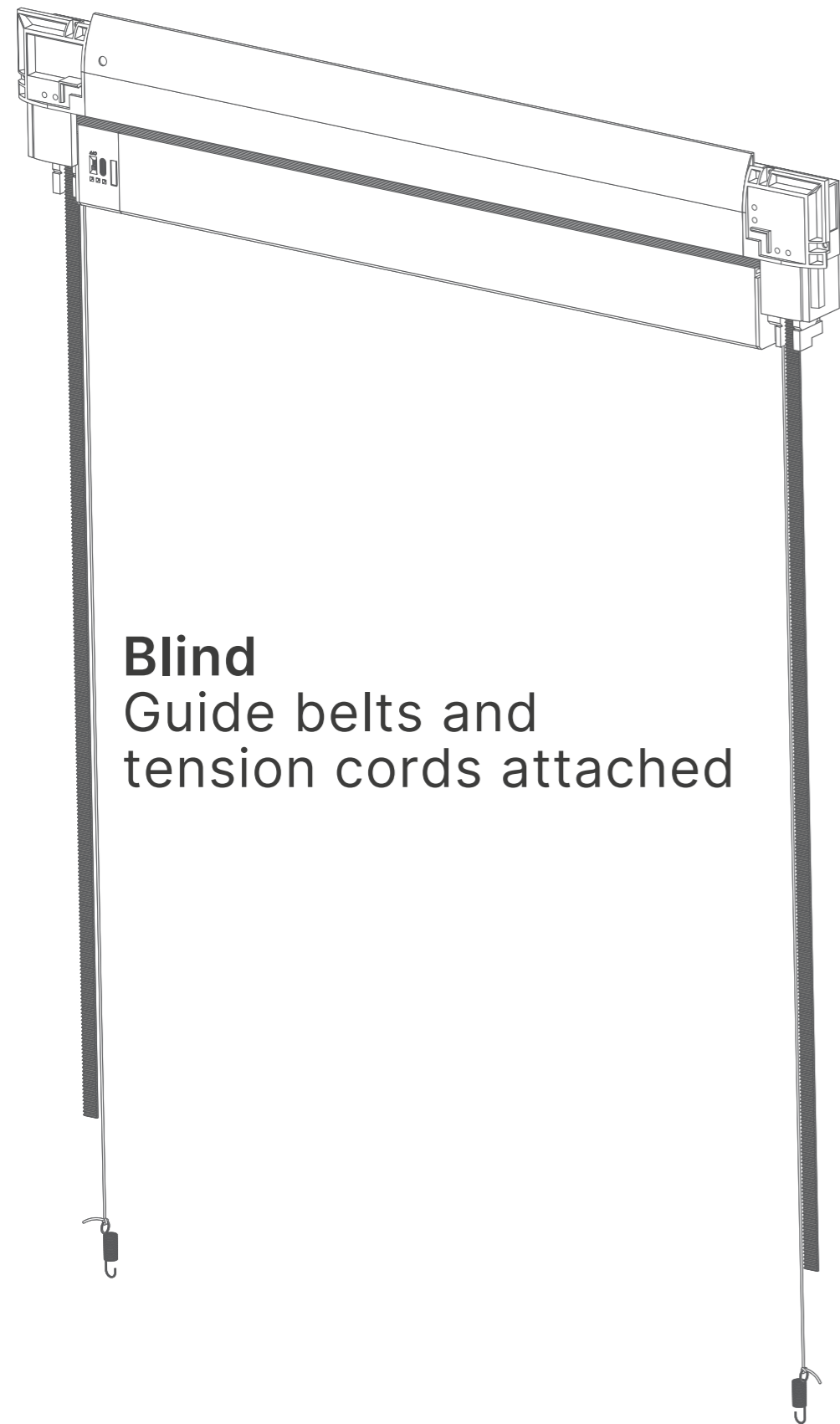
Please read each page of this guide carefully during installation, following along one step at a time.



Tools required for this install:

- Phillips screwdriver / Phillips driver bit

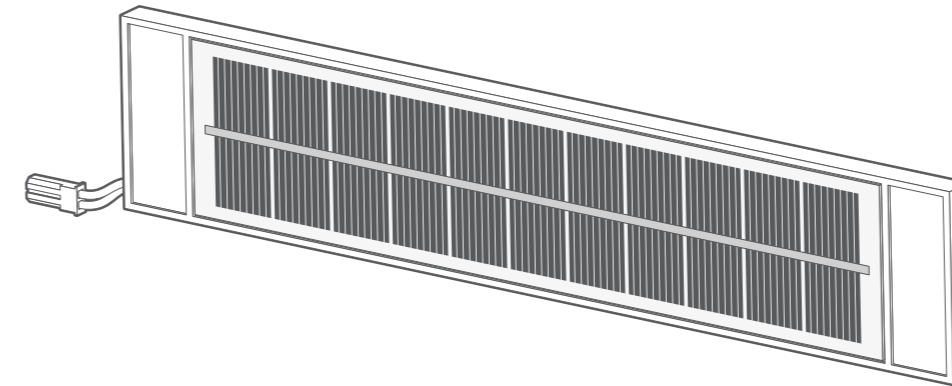
Larger parts contained in your order...



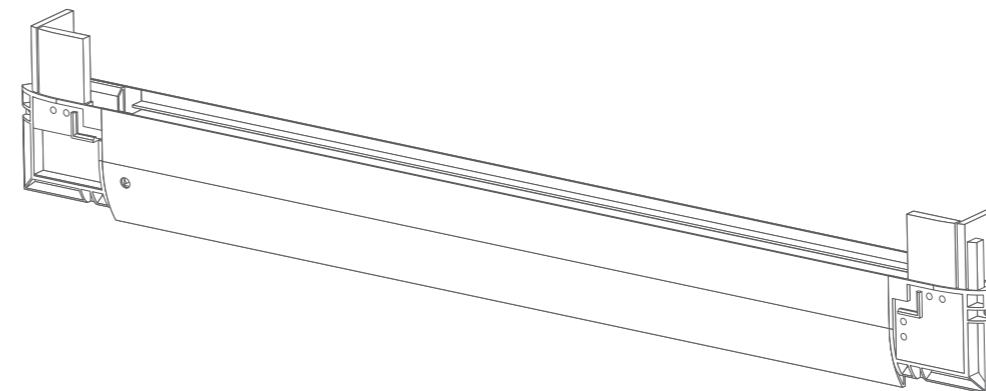
Blind
Guide belts and
tension cords attached



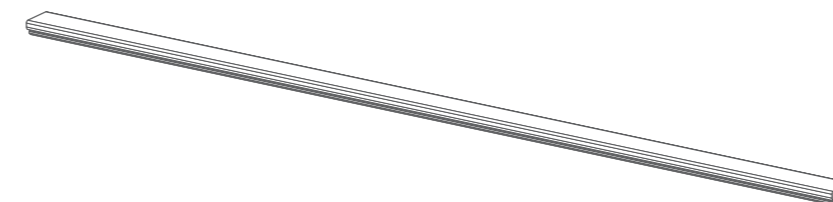
Side frames
x2 per blind



Solar charging panel
(Upgrade only)
x1 per blind

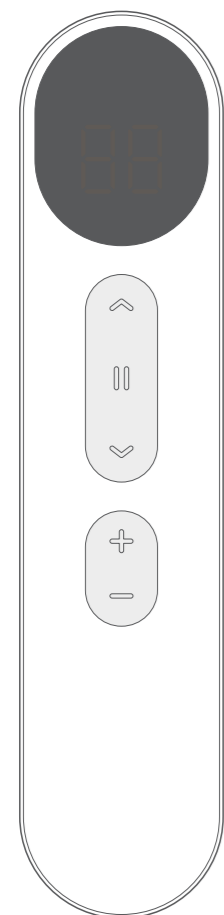


Bottom frame
x1 per blind
Corner pieces attached

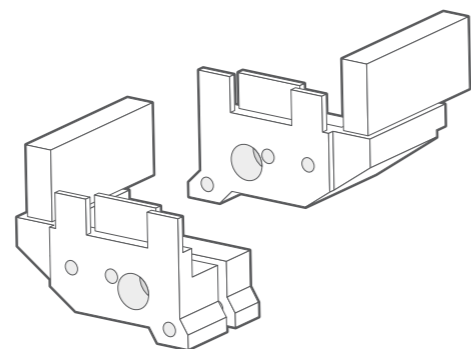


Bottom frame cover plate
x1 per blind

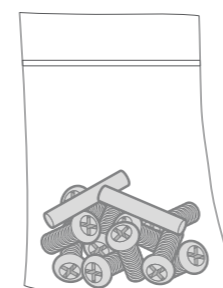
Smaller parts contained in your order...



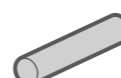
Remote control



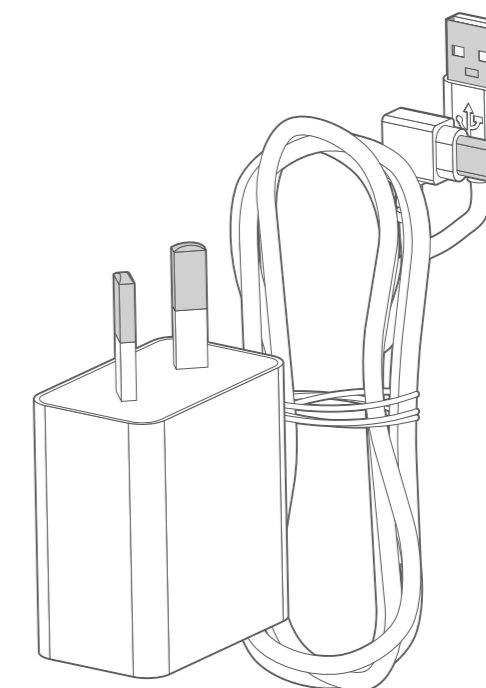
Guide blocks
x2 per blind



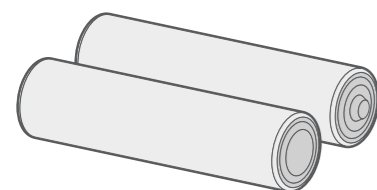
Screws
x10 per blind



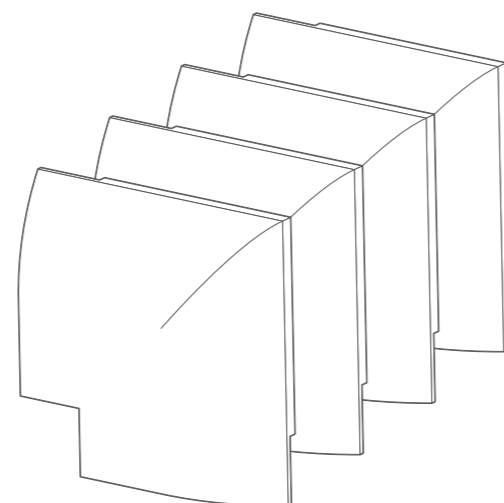
Cord runner bars
x2 per blind



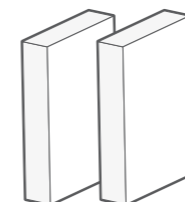
Plug in charger



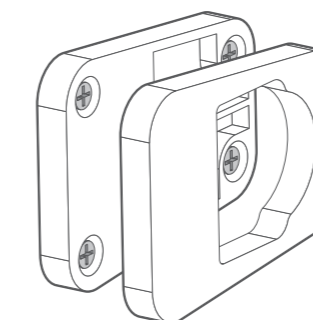
AAA Batteries
x2 per remote control



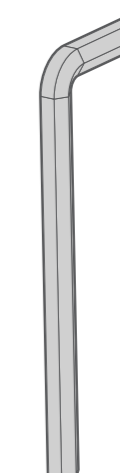
Frame corner covers
x4 per blind



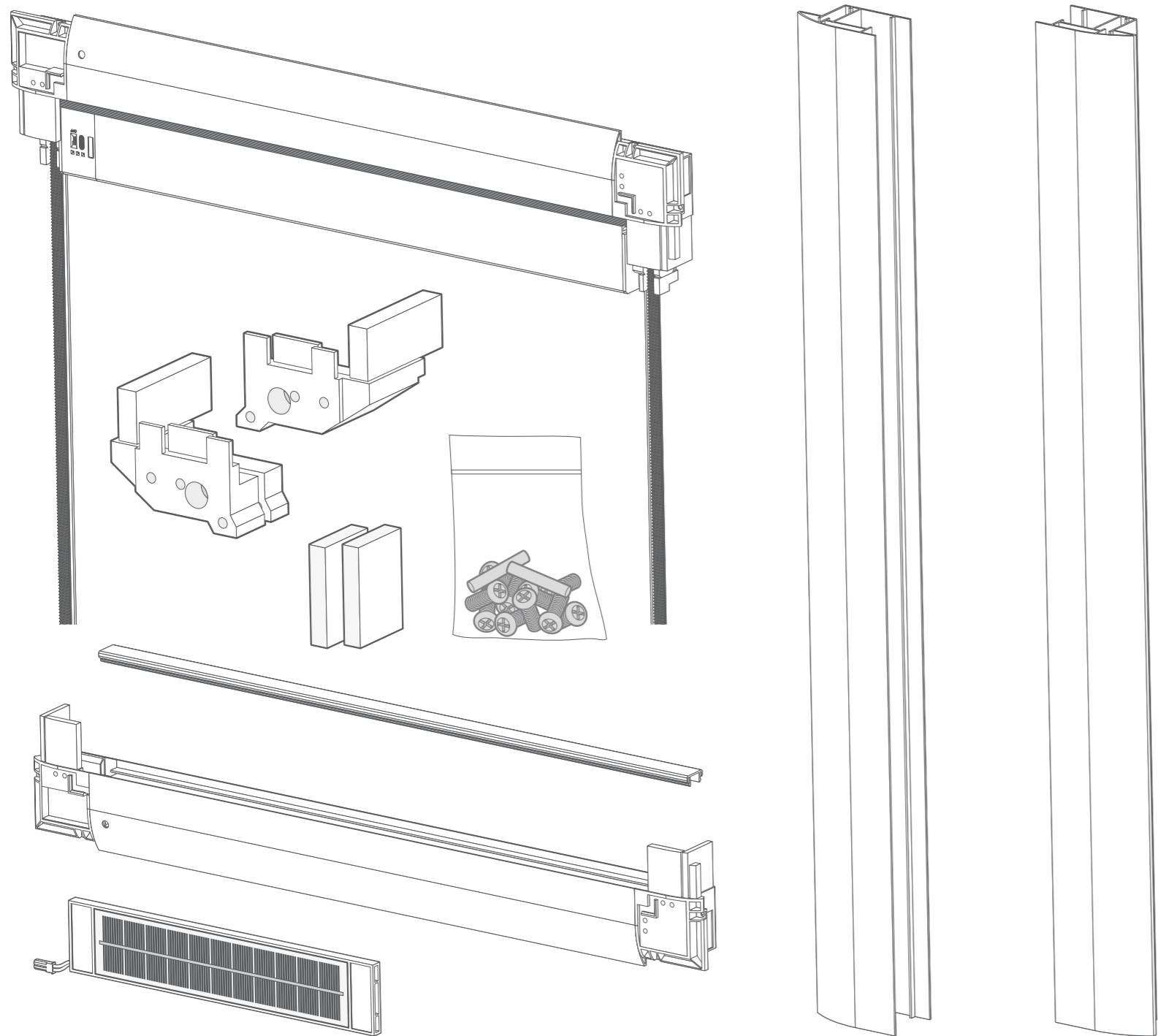
Corner pads
x2 per blind



Spacer blocks
x4 per blind



Allen key
x1 per blind



Parts & tools required for this section:

Parts

- Blind
- Side frames
- Bottom frame
- Bottom frame cover plate
- Guide blocks
- Screws
- Cord runner bars
- Solar charging panel
- Corner pads

Tools

- Phillips screwdriver / Phillips driver bit

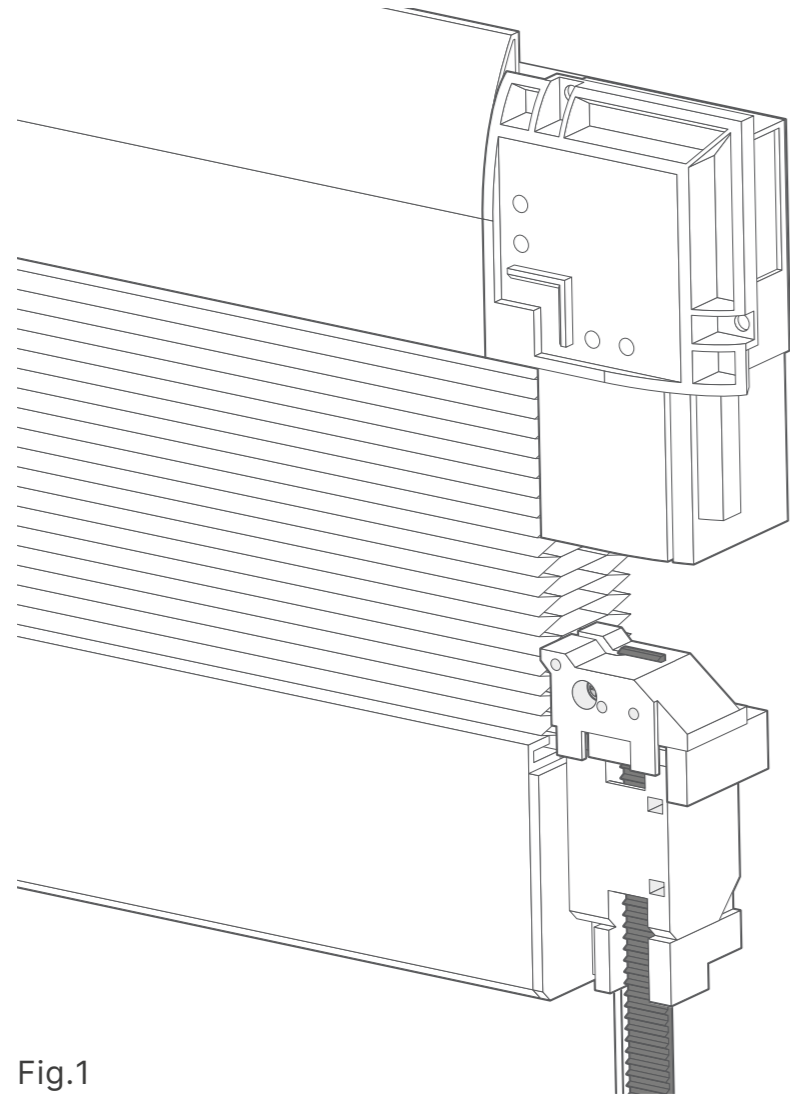


Fig.1

Pull out the blind's bottom bar a little to access the guide blocks already attached at the ends (Fig.1).

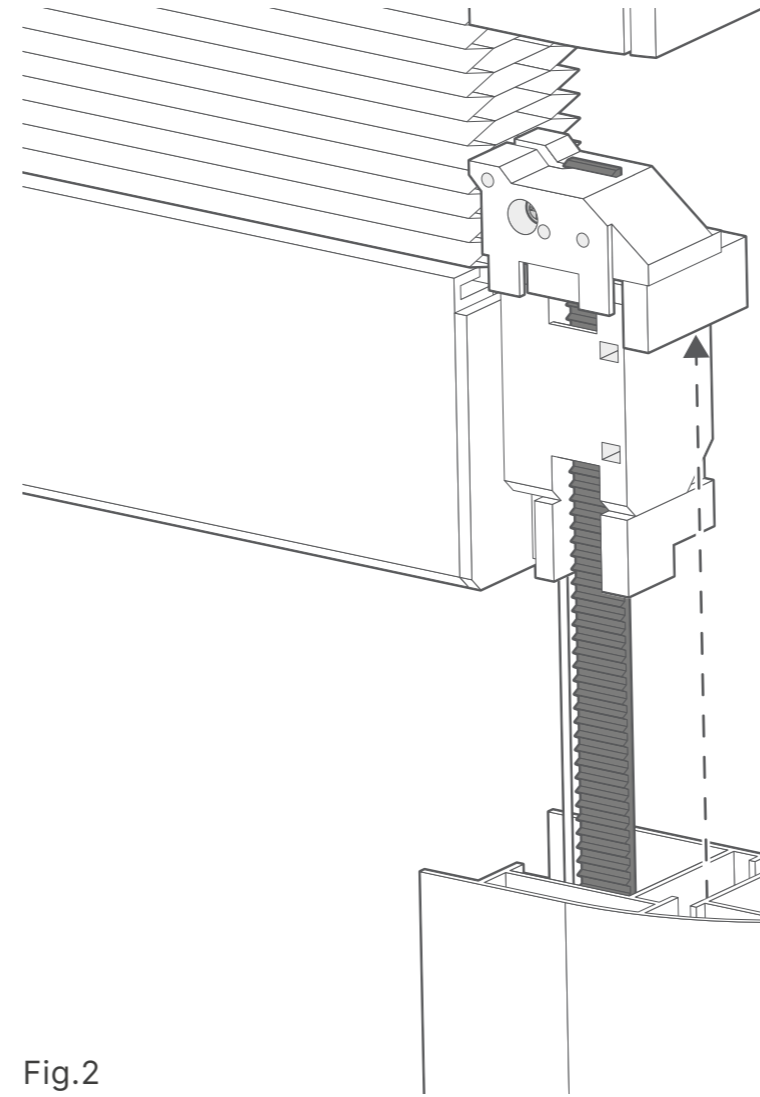


Fig.2

Take the side frames and feed the guide belts and tension cords into the open face of the frame (Fig.2).

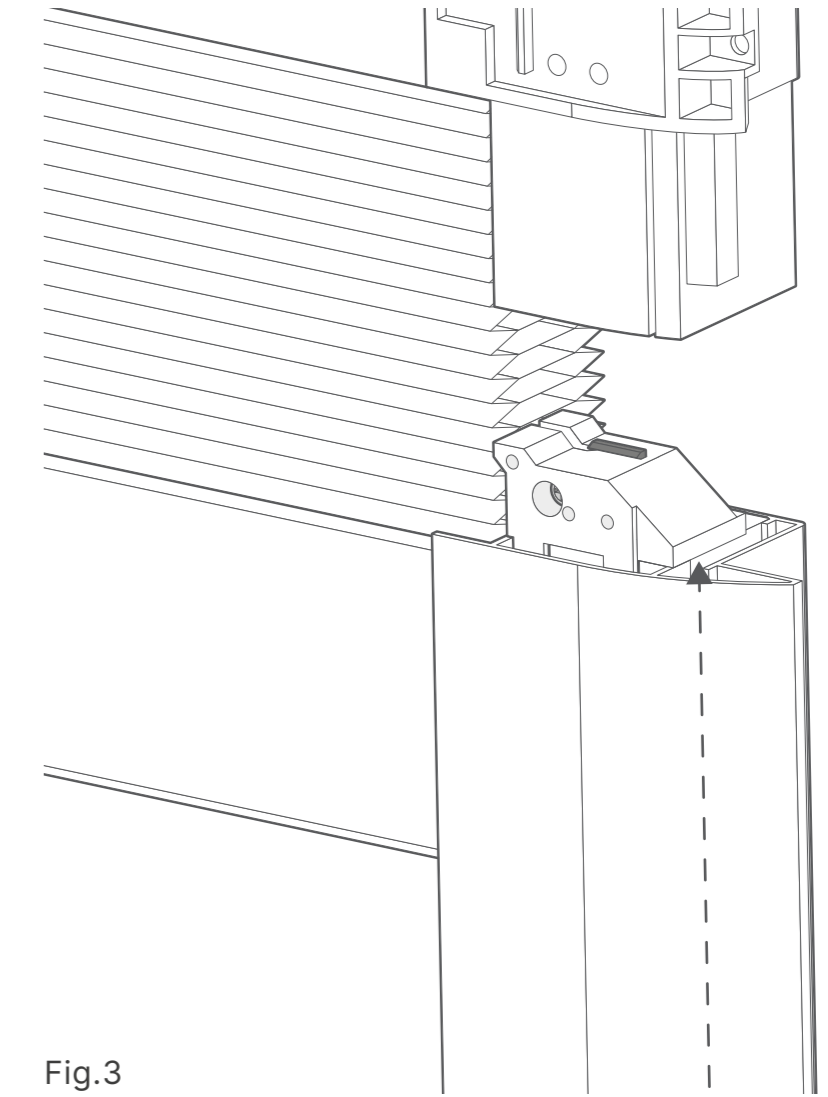
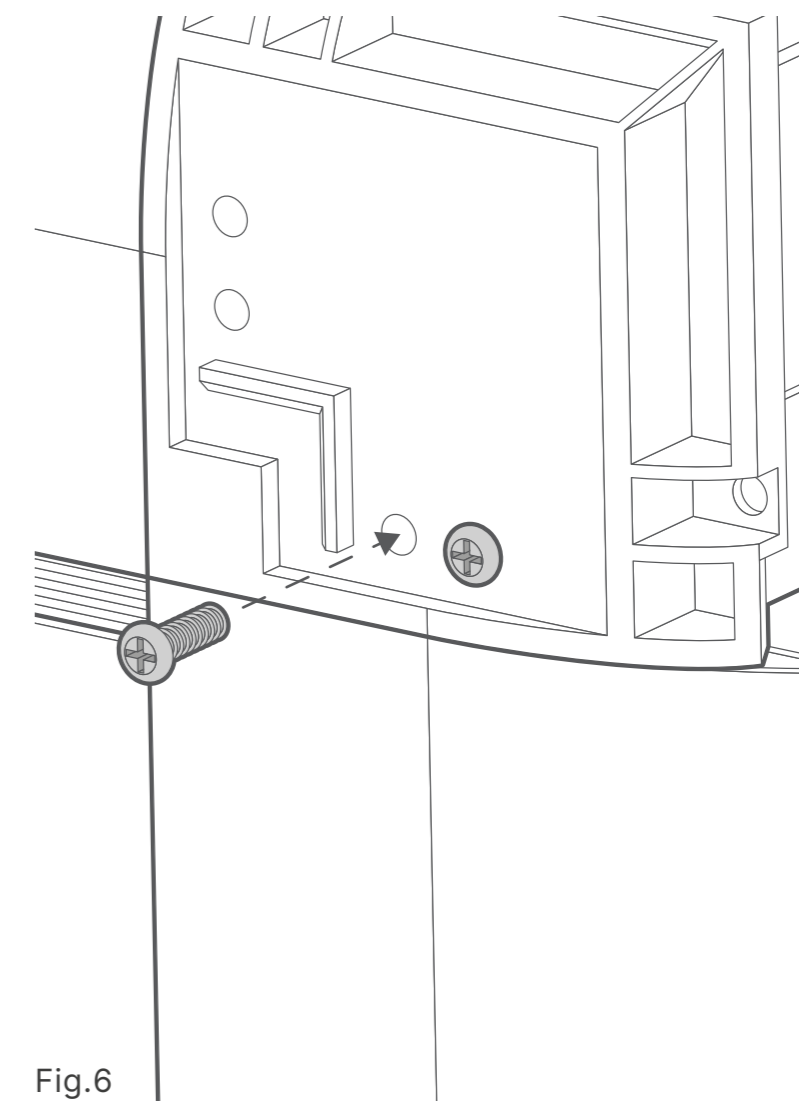
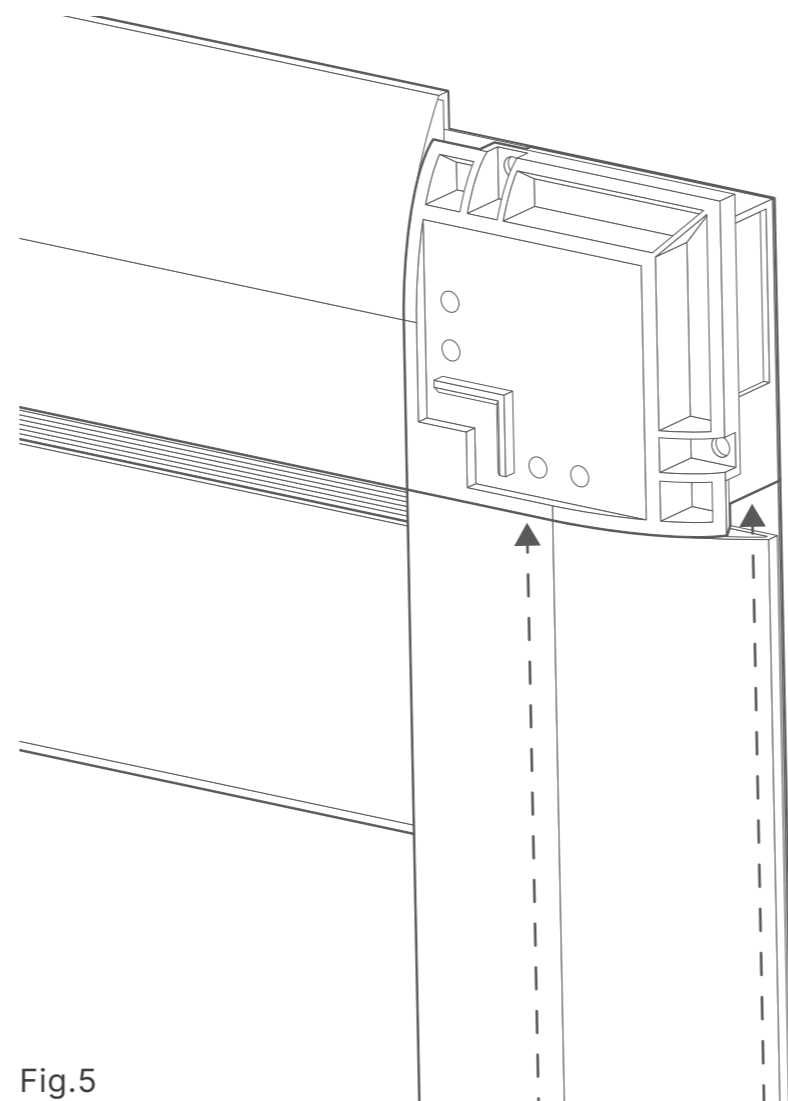
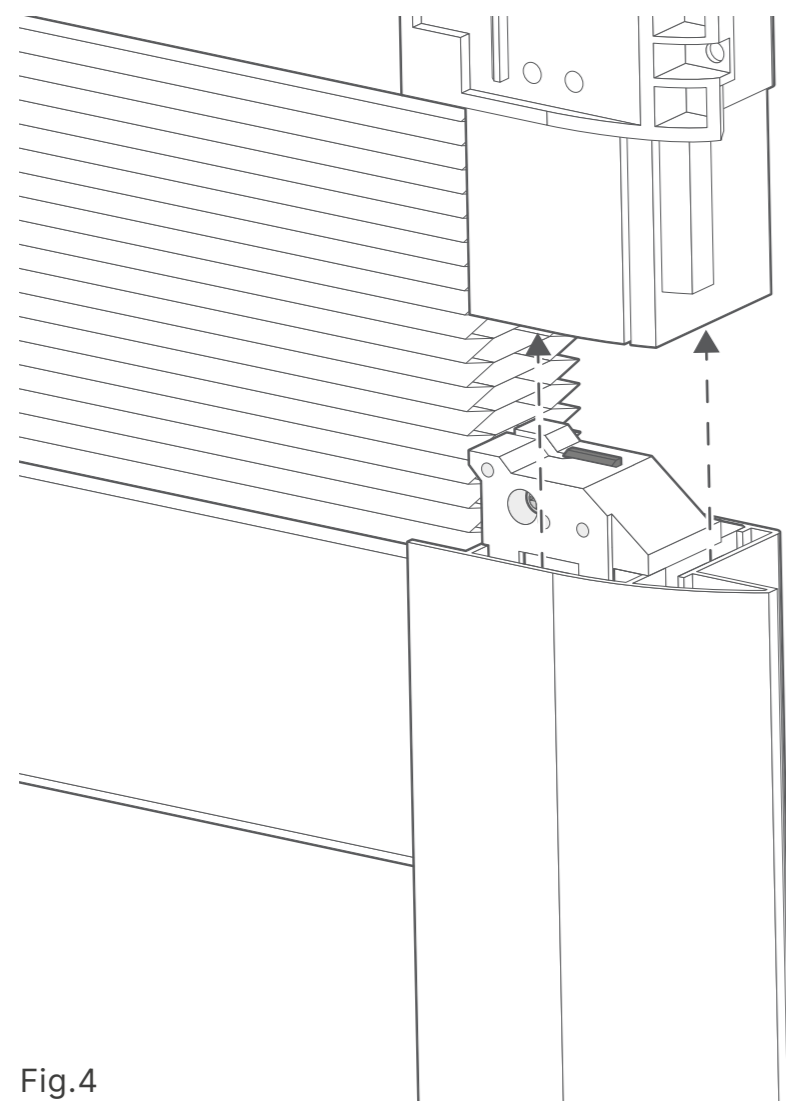


Fig.3

Slot the end of the frames onto the guide blocks (Fig.3).



Next, connect the side frames to the top of the blind by slotting them up onto the corner pieces attached to the ends of the blind (Fig.4 / 5).

Use 2 screws on each side to secure the guide blocks inside the corner pieces (Fig.6).

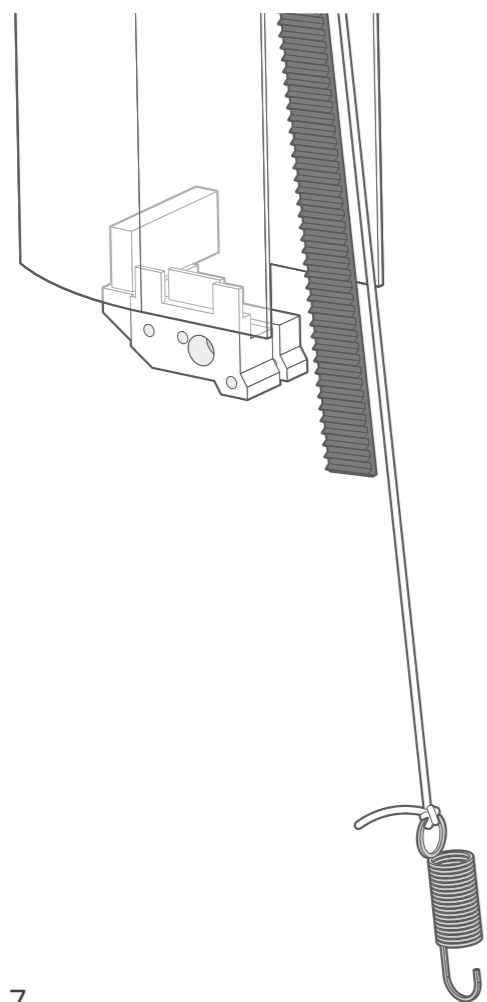


Fig.7

You should find the guide blocks plugged into the bottom of each side frame already (Fig.7).

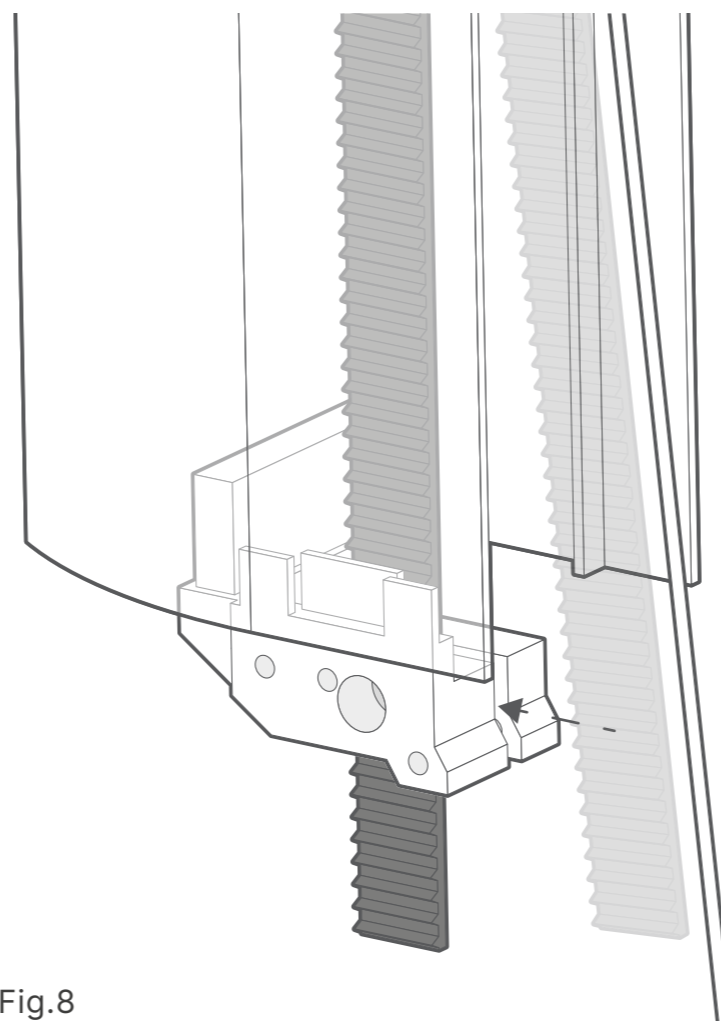


Fig.8

Hold the guide belt taut and slide it fully into the guide block on each side (Fig.8).

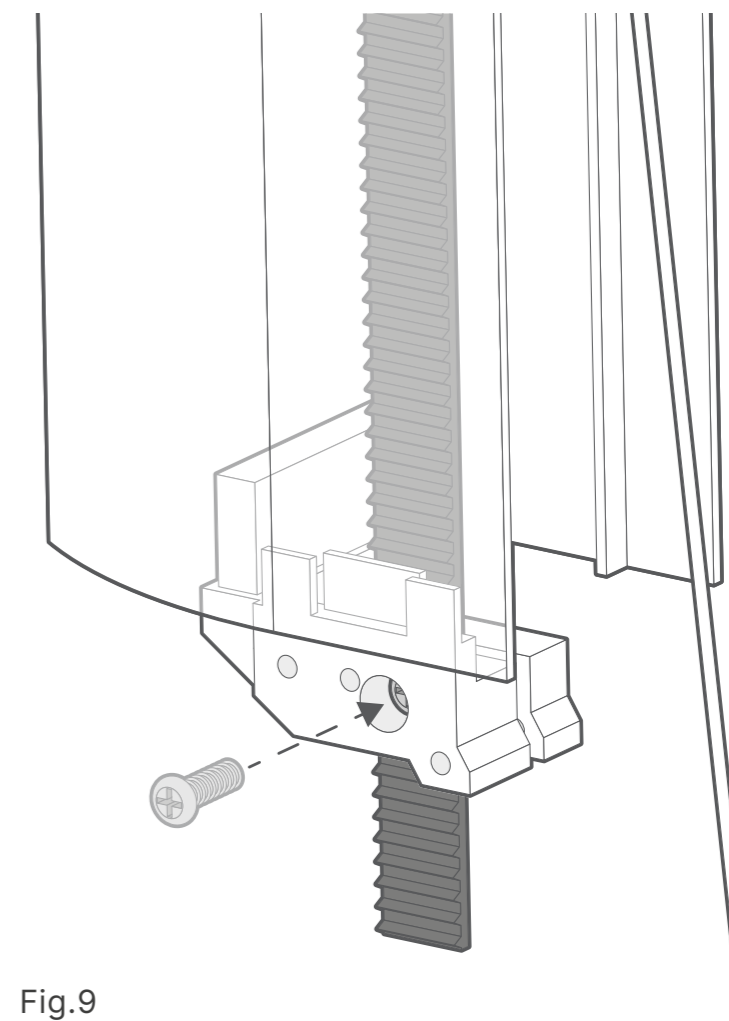
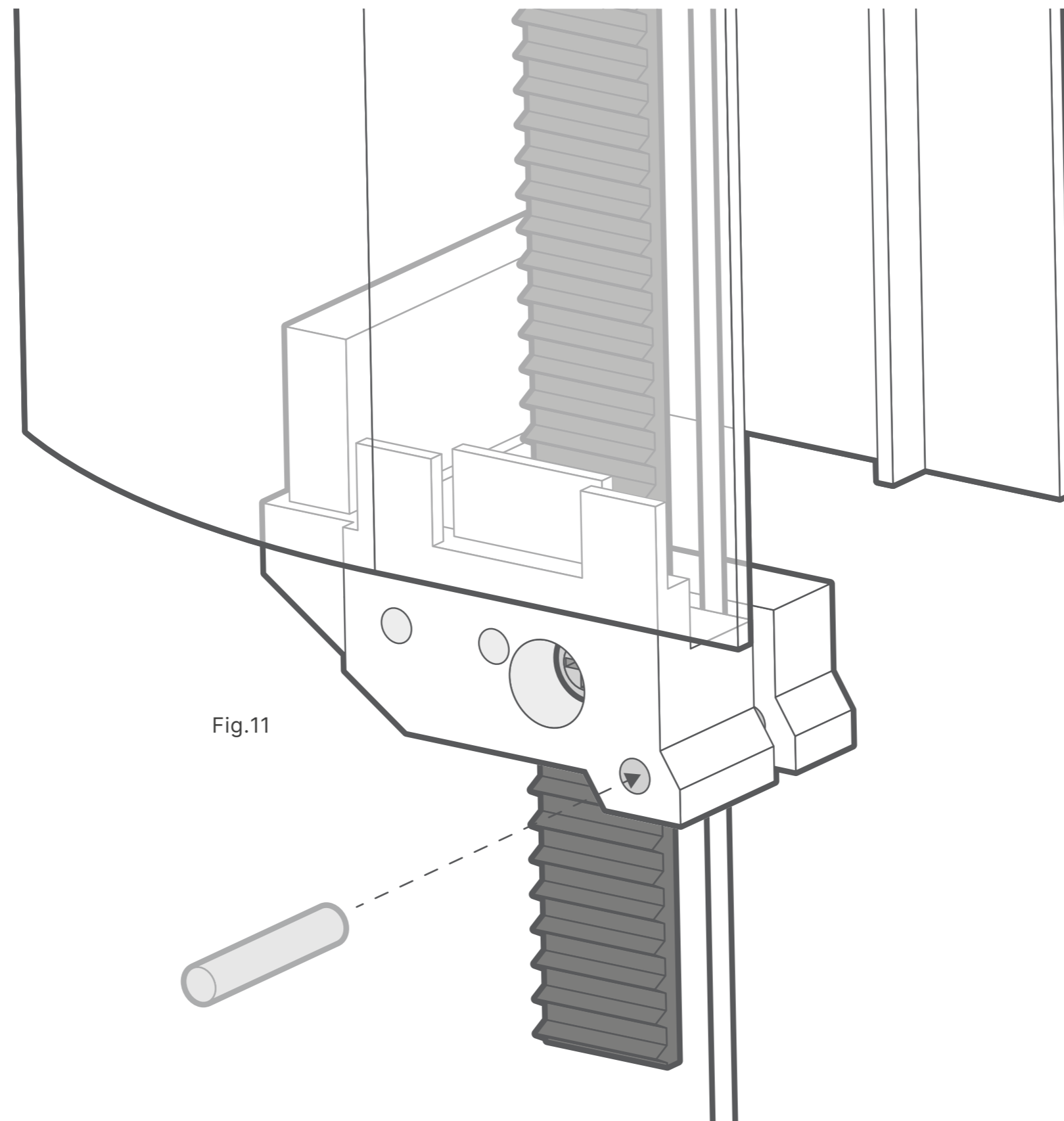
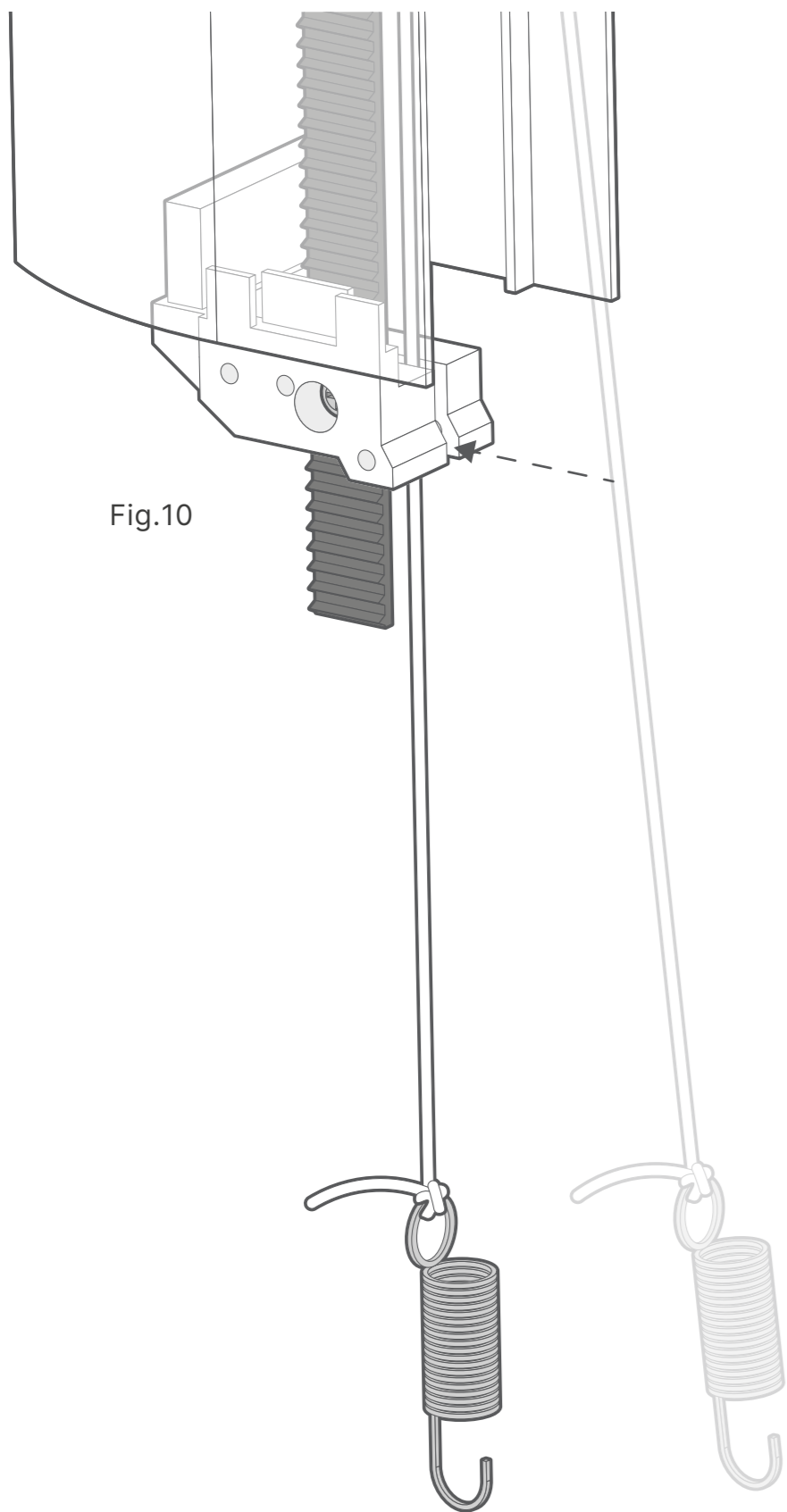


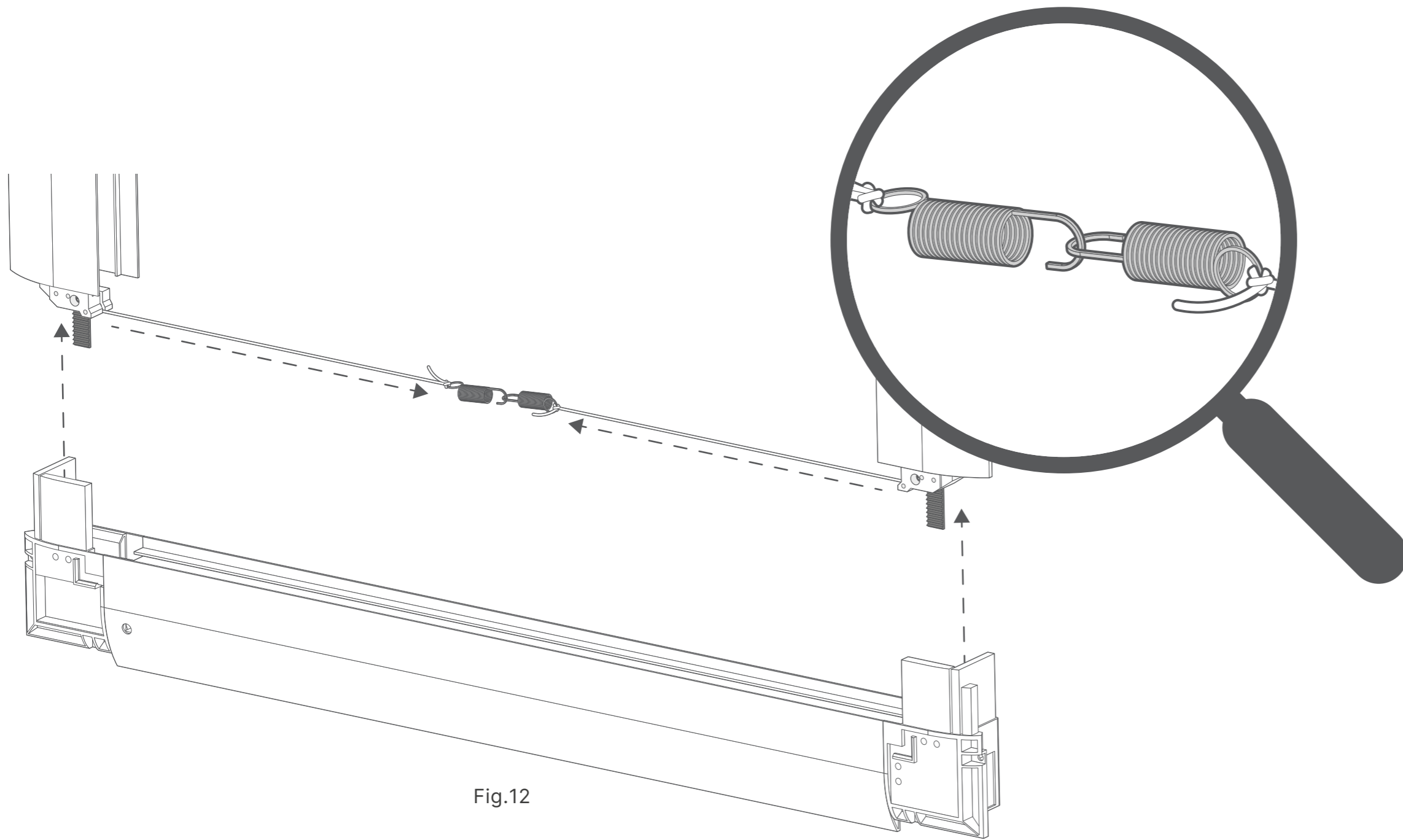
Fig.9

Secure the belt in the guide block by tightening one of your screws into the largest hole in each guide block (Fig.9).

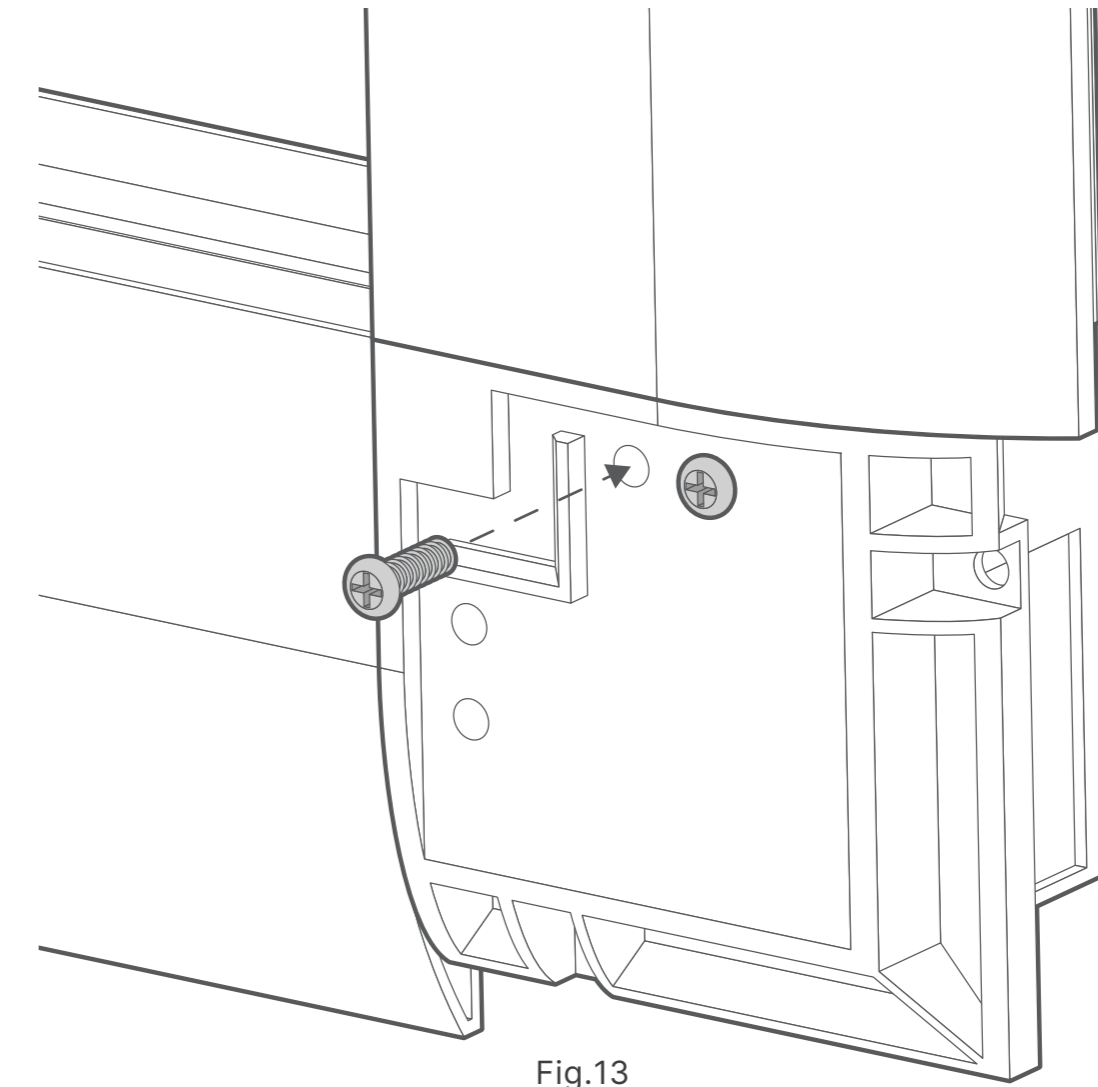


Slide the tension cord into the guide block on each side, beside the guide belt (Fig.10).

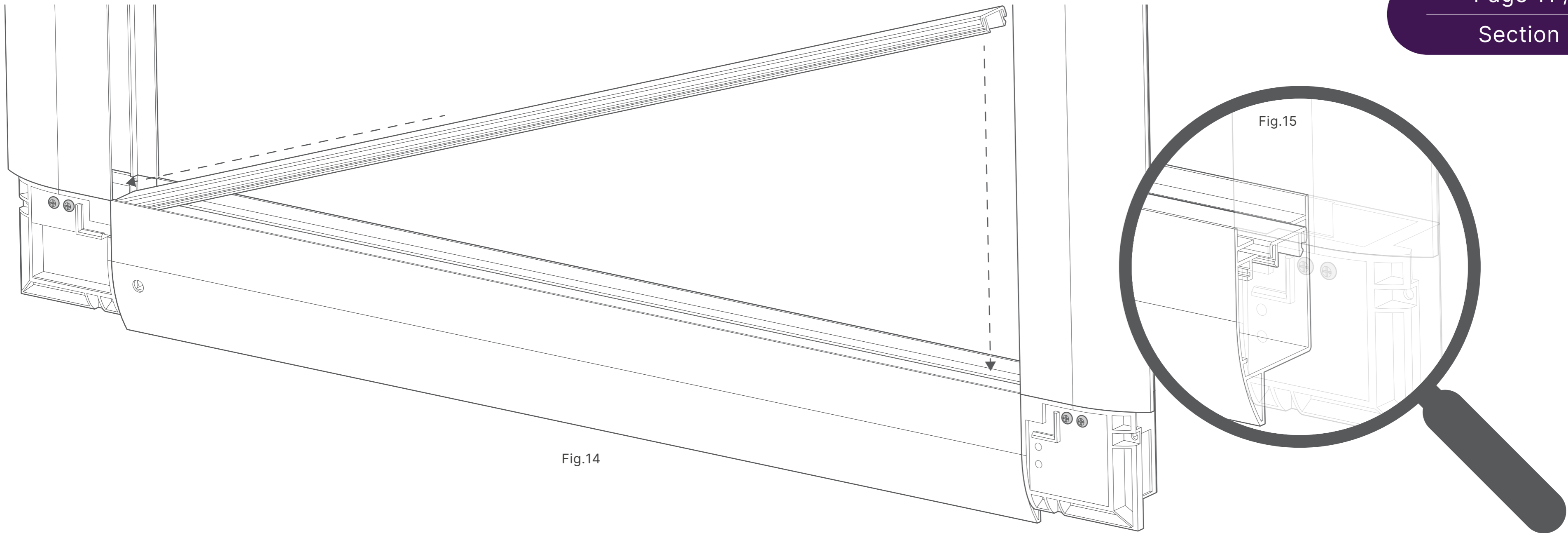
Slot a cord runner bar into the lowermost hole on the guide block to stop the tension cord from slipping out (Fig.11).



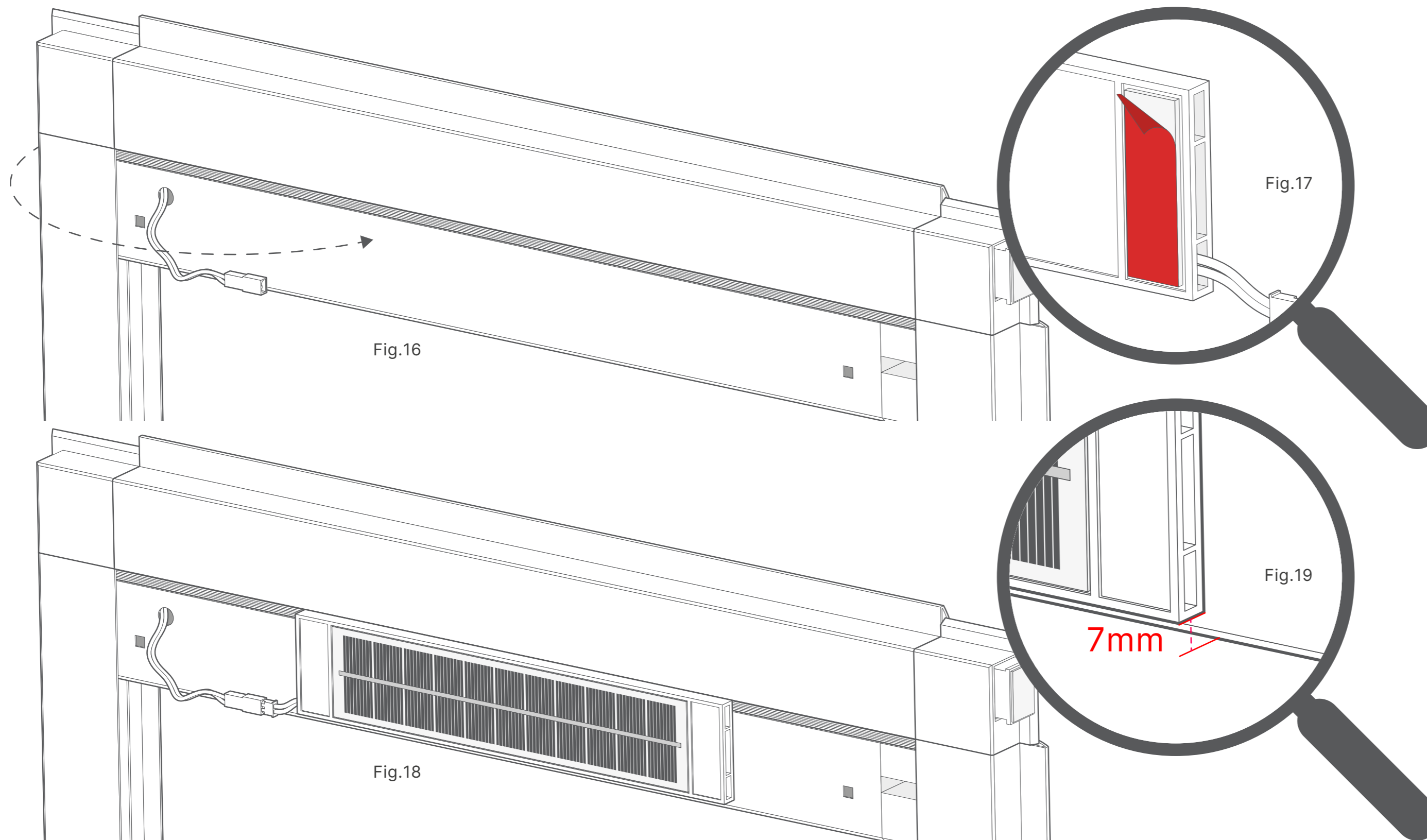
Pull the ends of the cords toward the centre of the blind and hook the springs together, then slot the bottom bar into the ends of the side frames (Fig.12).



Once the bottom frame is slotted into place, use 2 screws on each side to secure the guide blocks inside the corner pieces (Fig.13).



The bottom frame cover plate is designed to cover the open channel in the bottom frame, neatening the blind's appearance when open. The easiest way to fit it is to slot one end into the bottom frame's open channel (Fig.14), then press the other end into place (Fig.15).



If you didn't choose our solar upgrade, you can skip to the next page.

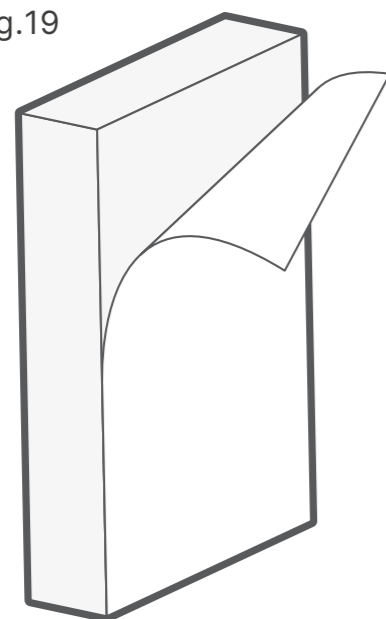
Flip the blind over to access the back (Fig.16).

Take the solar charging panel and peel the covers from the adhesive strips on the back (Fig.17).

Stick the panel to the back of the blind's motor bar and connect the battery cable (Fig.18).

The panel should be 7mm up from the bottom of the motor bar (Fig.19).

Fig.19



Take the corner pads and peel off the adhesive cover (Fig.19).

Fig.20

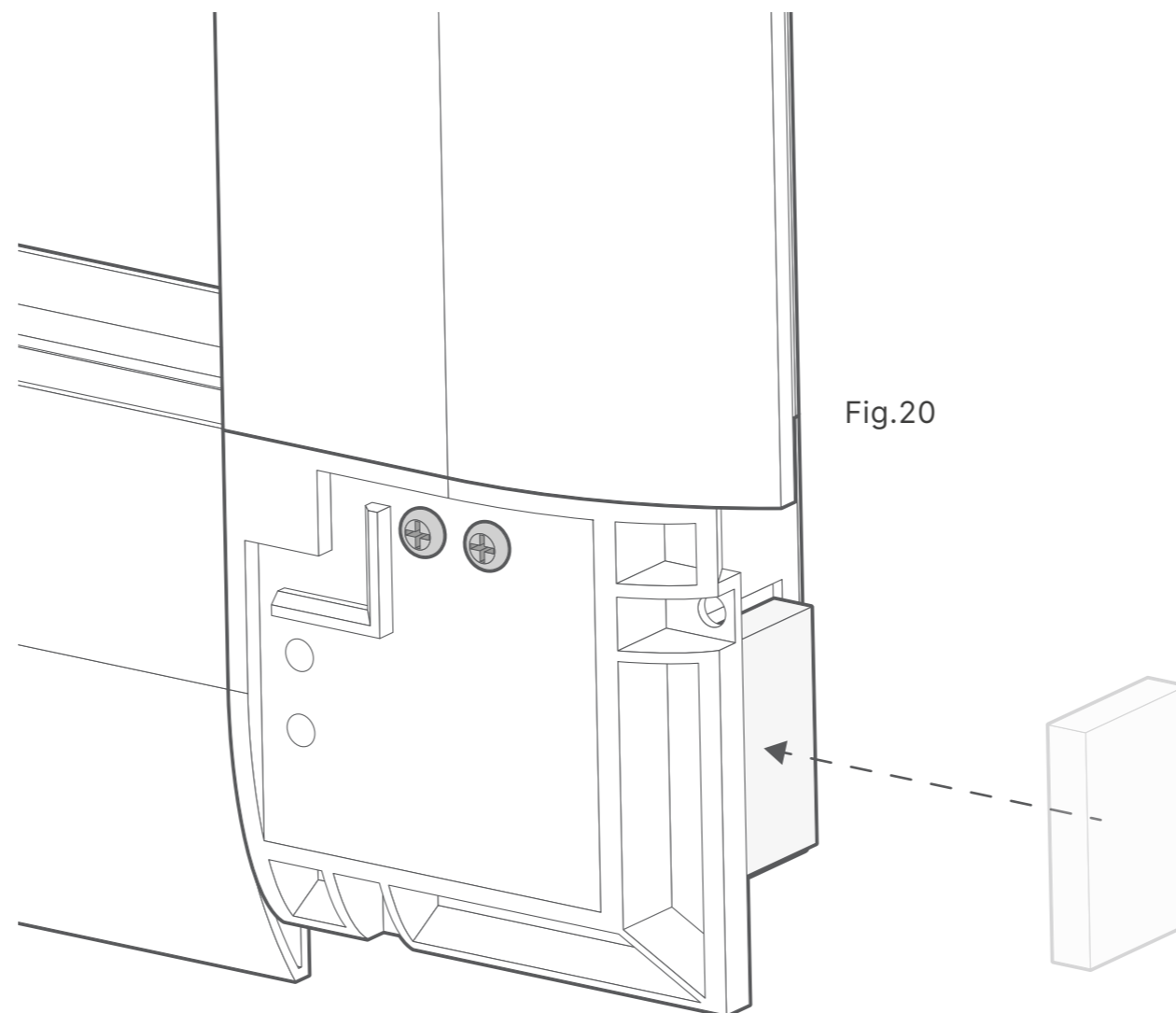
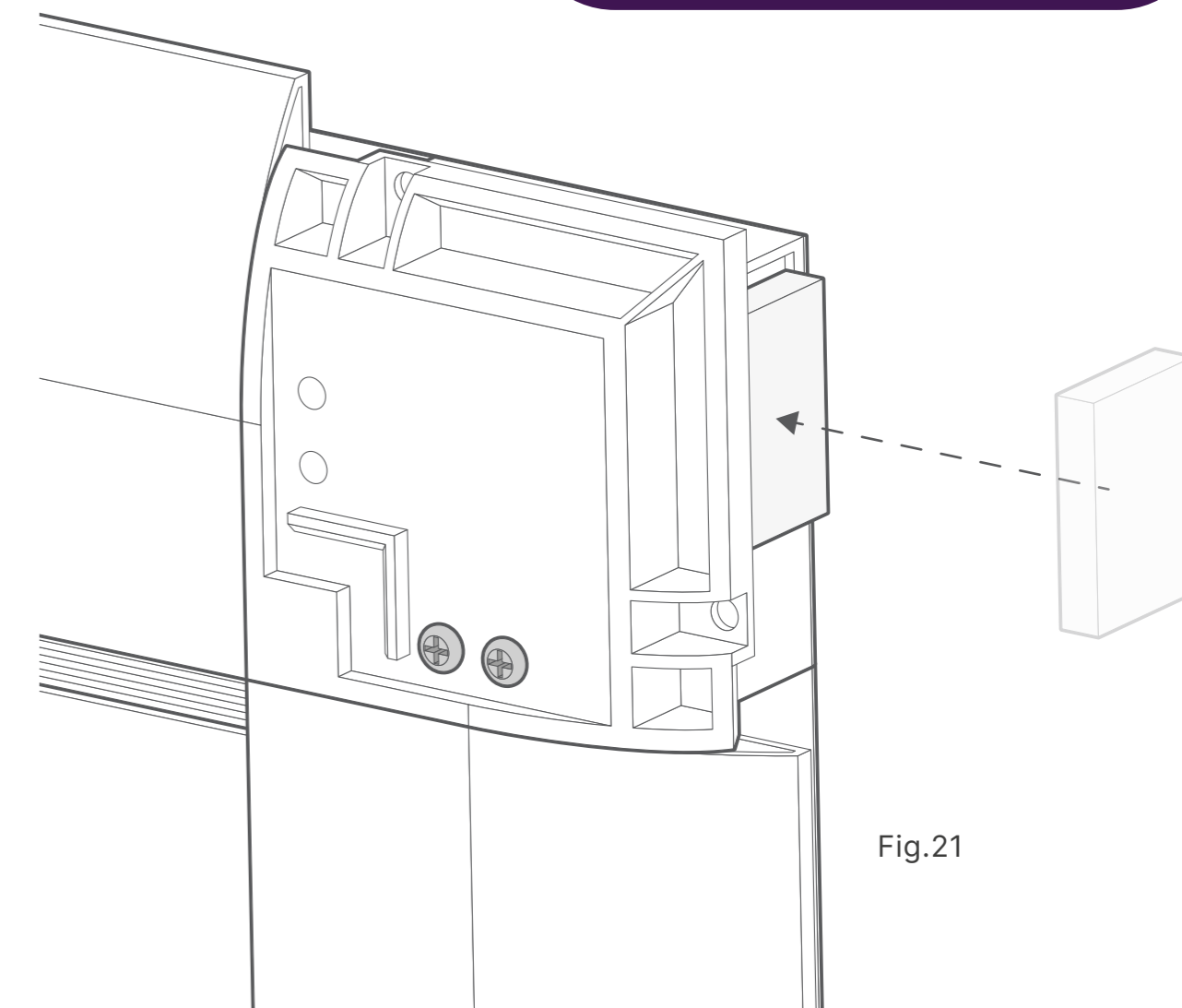
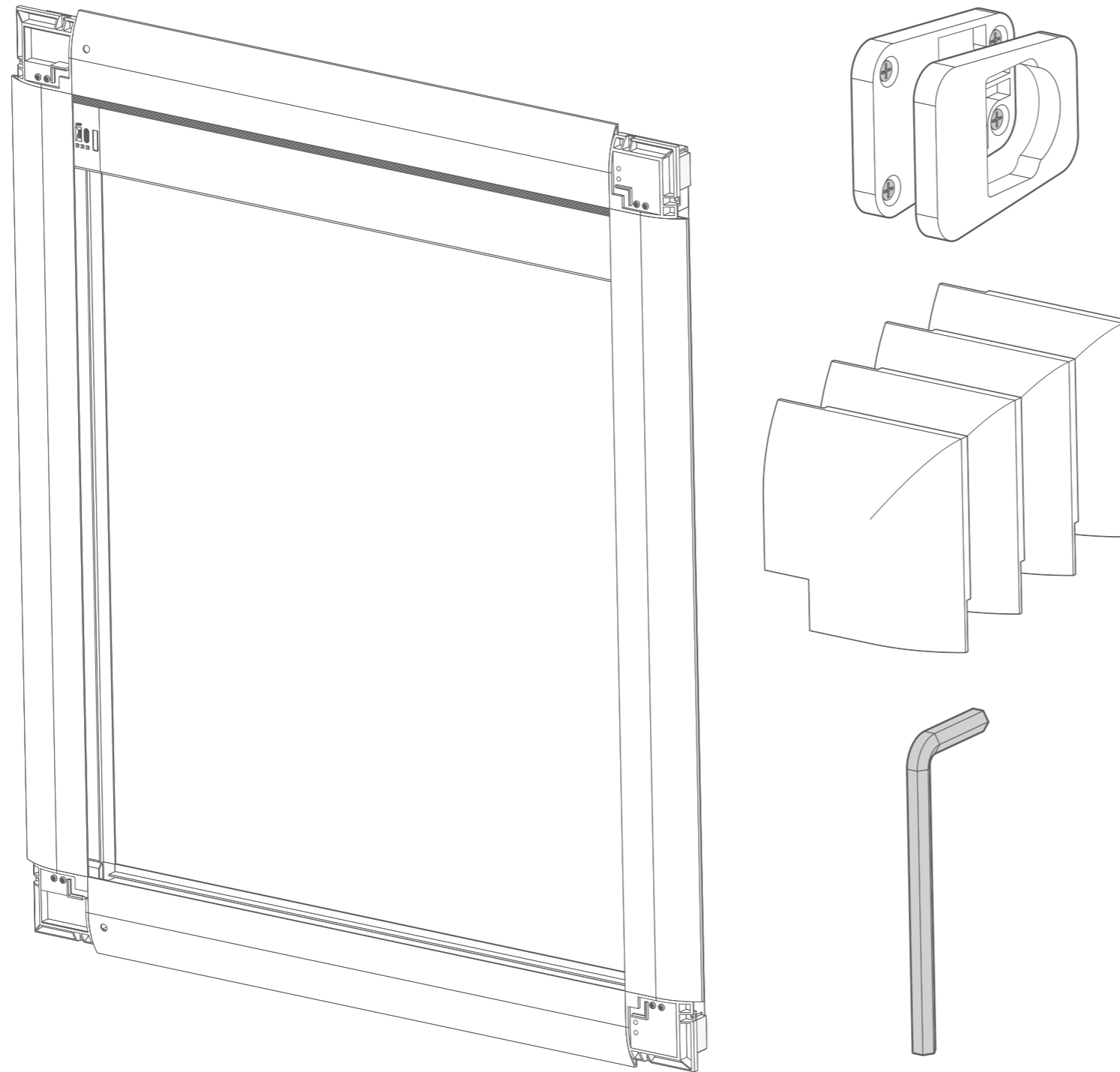


Fig.21



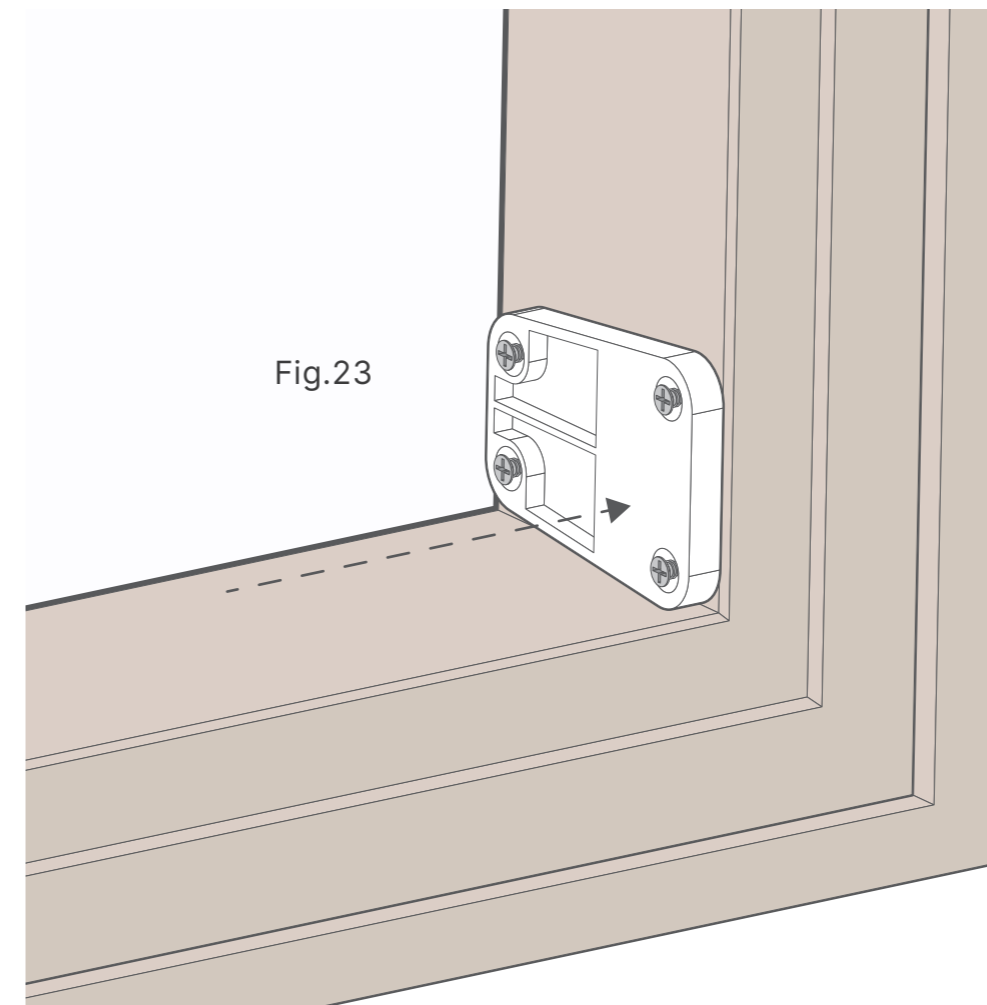
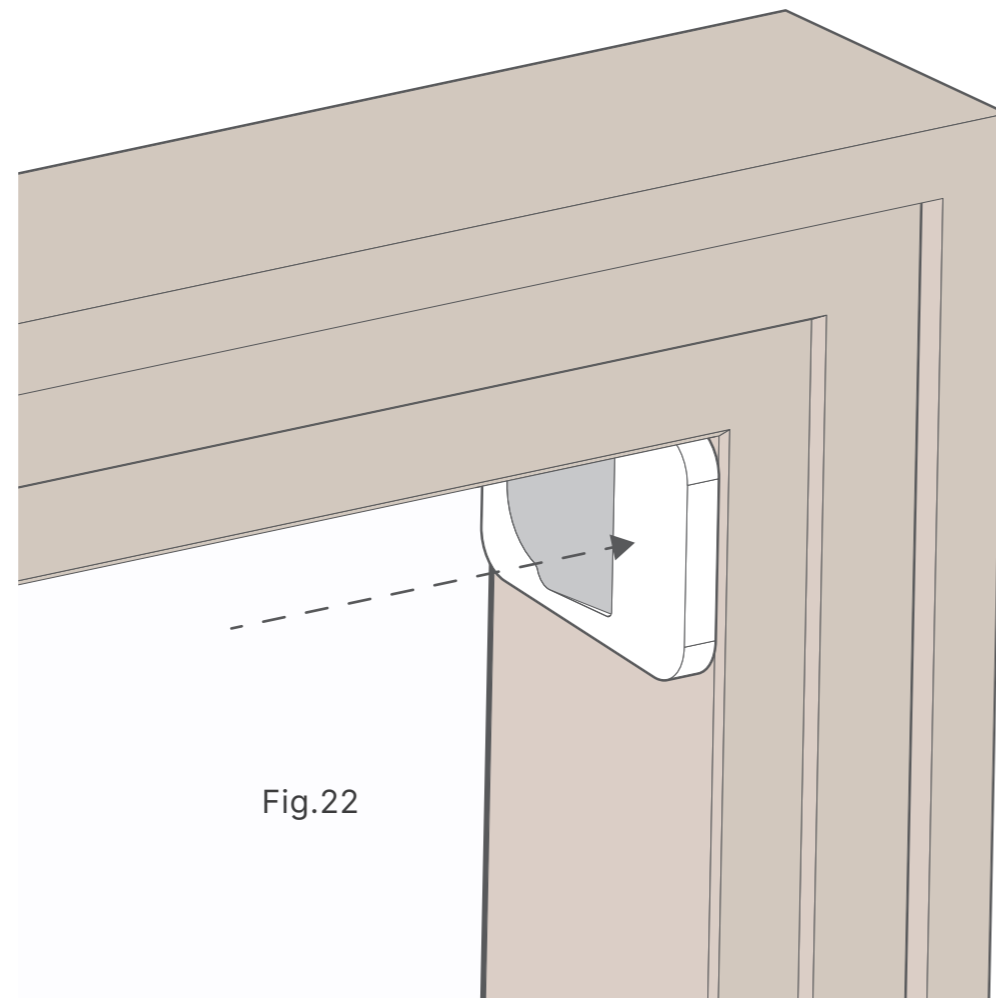
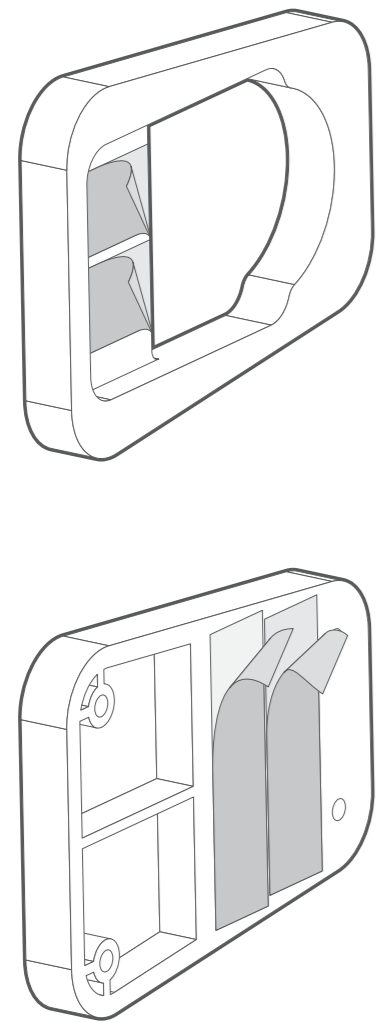
Stick the corner pads onto the empty spaces on the sides of the top and bottom corner pieces (Fig.20 / 21). Note that you only need to do this on the blind's right hand side.



Parts required for this section:

Parts

- Assembled blind
- Spacer block x2
- Frame corner covers x4
- Allen key



Attach the spacer blocks to the window, inside the right hand corners of the window frame. Use a solid spacer at the bottom of the window (Fig.23). If your window has grey plastic blocks attached at the top, use the open spacer (with the hole in the centre) at the top of the window (Fig.22). If it does not, simply use a second solid spacer at the top instead.

Loosen the screws in the solid block, then peel the cover off the adhesive strips on the back and stick it in place. Tighten the screws to screw the spacer into the wooden frame. If you're using an open spacer at the top, there are only adhesive strips on the back, no screws.

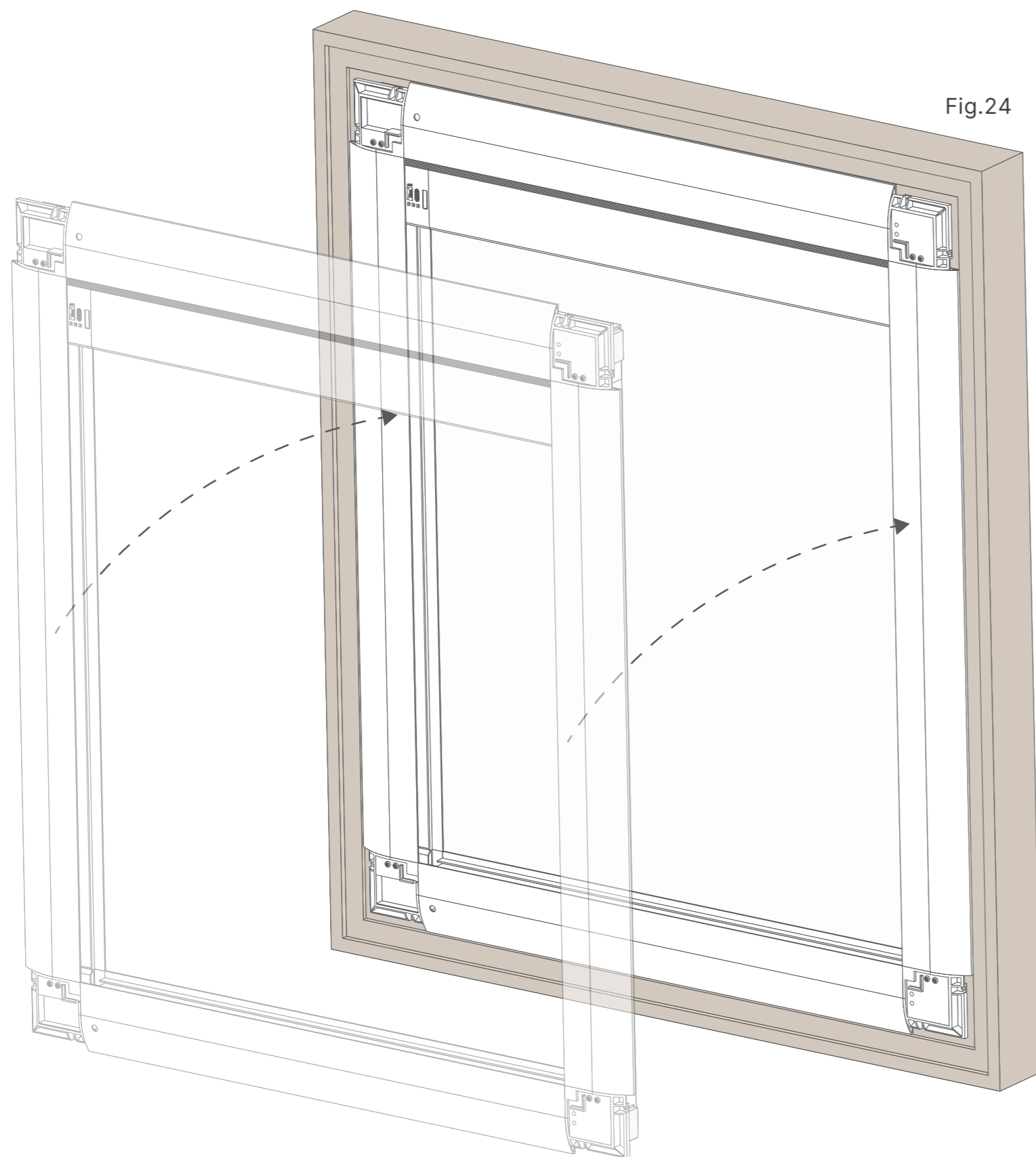
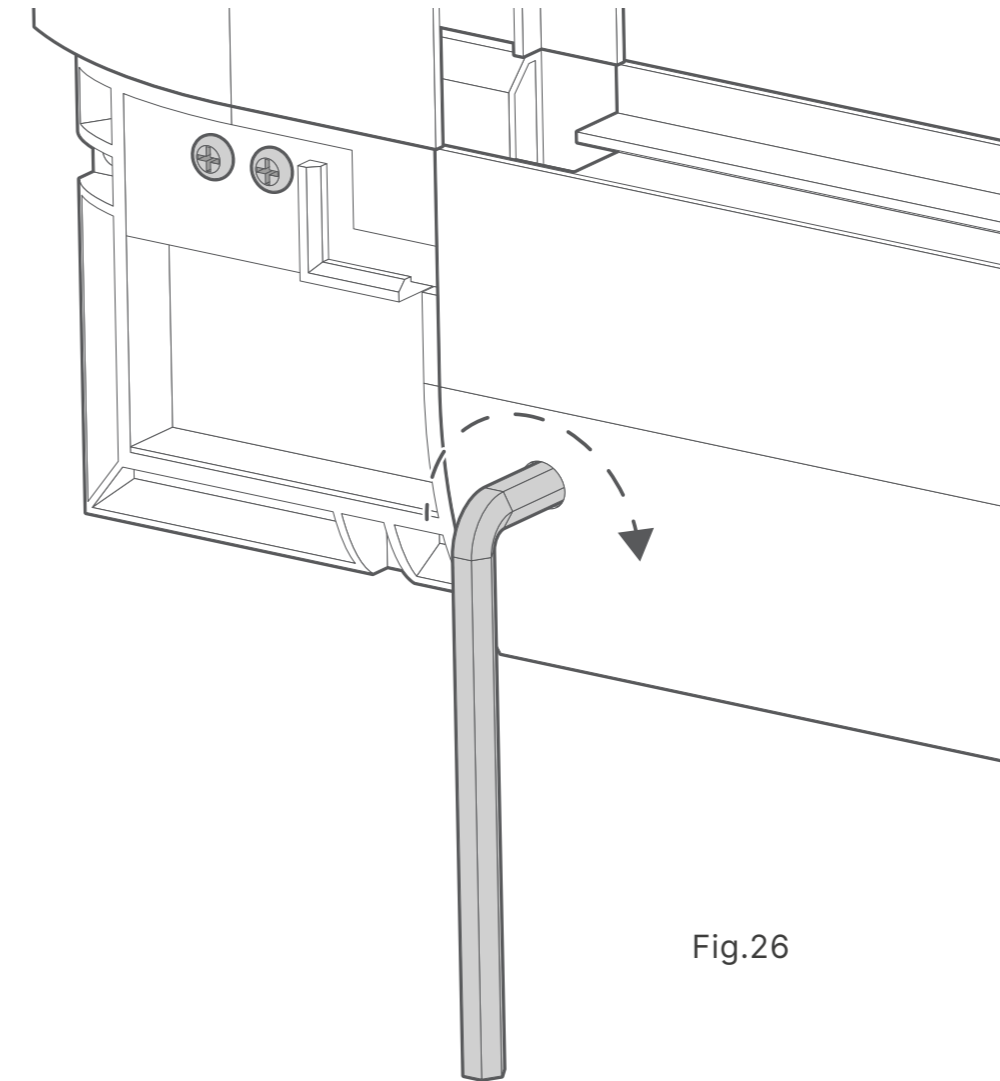
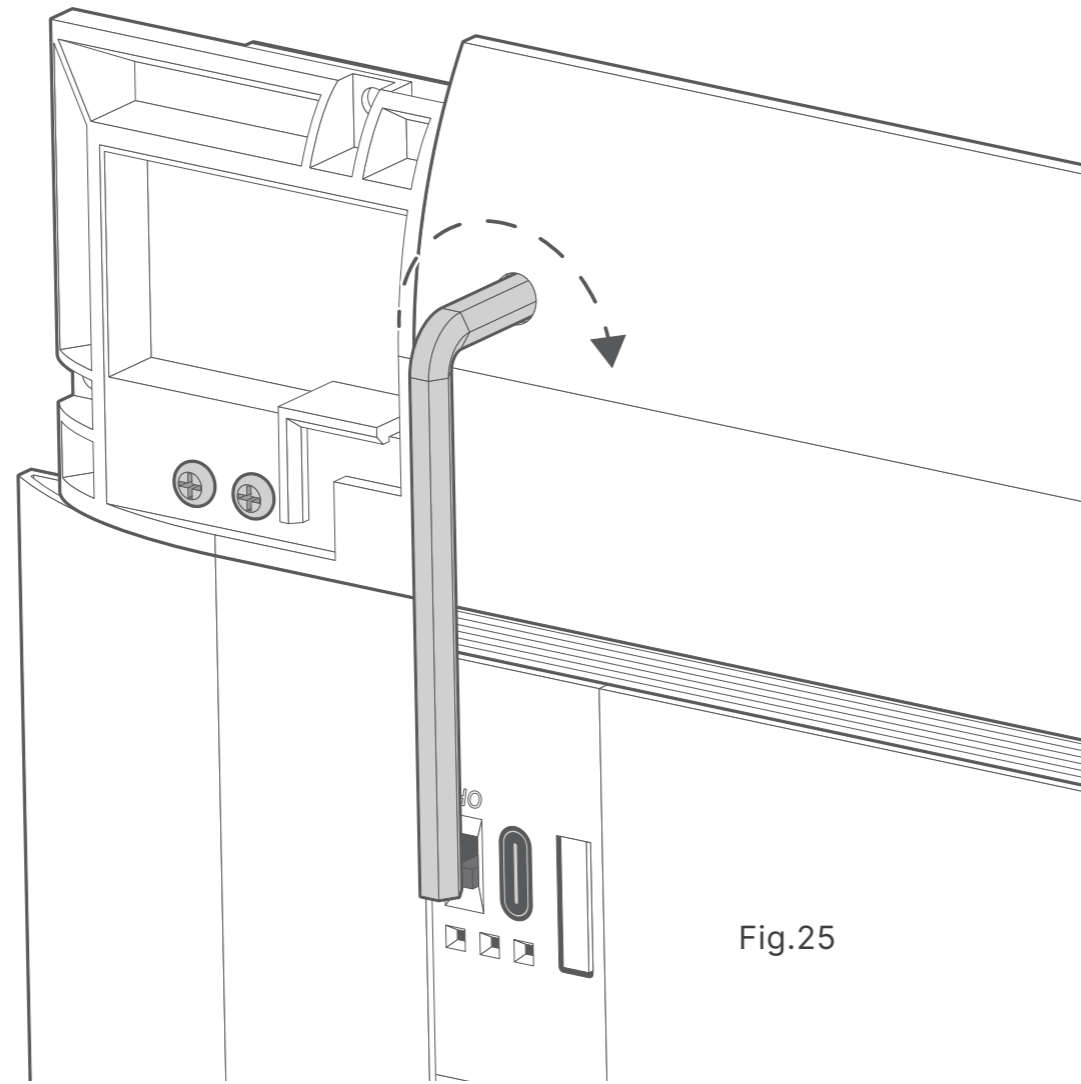
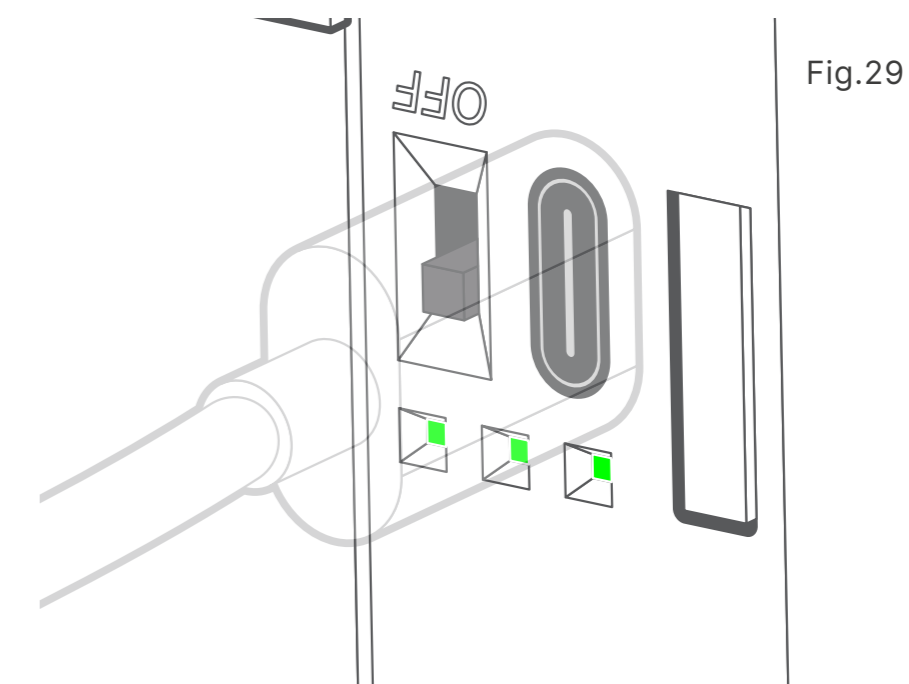
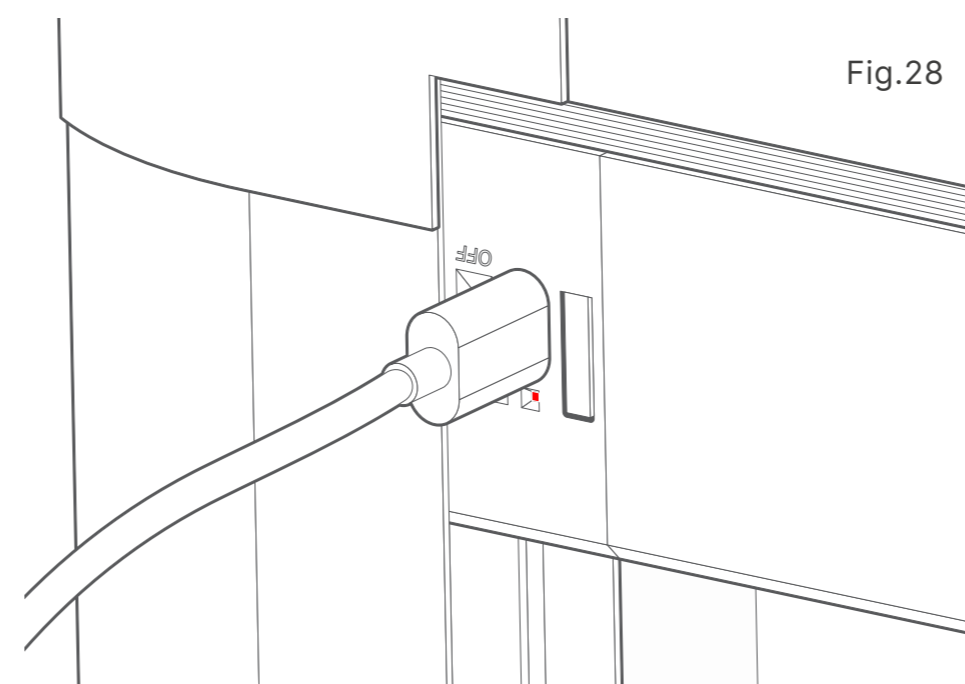
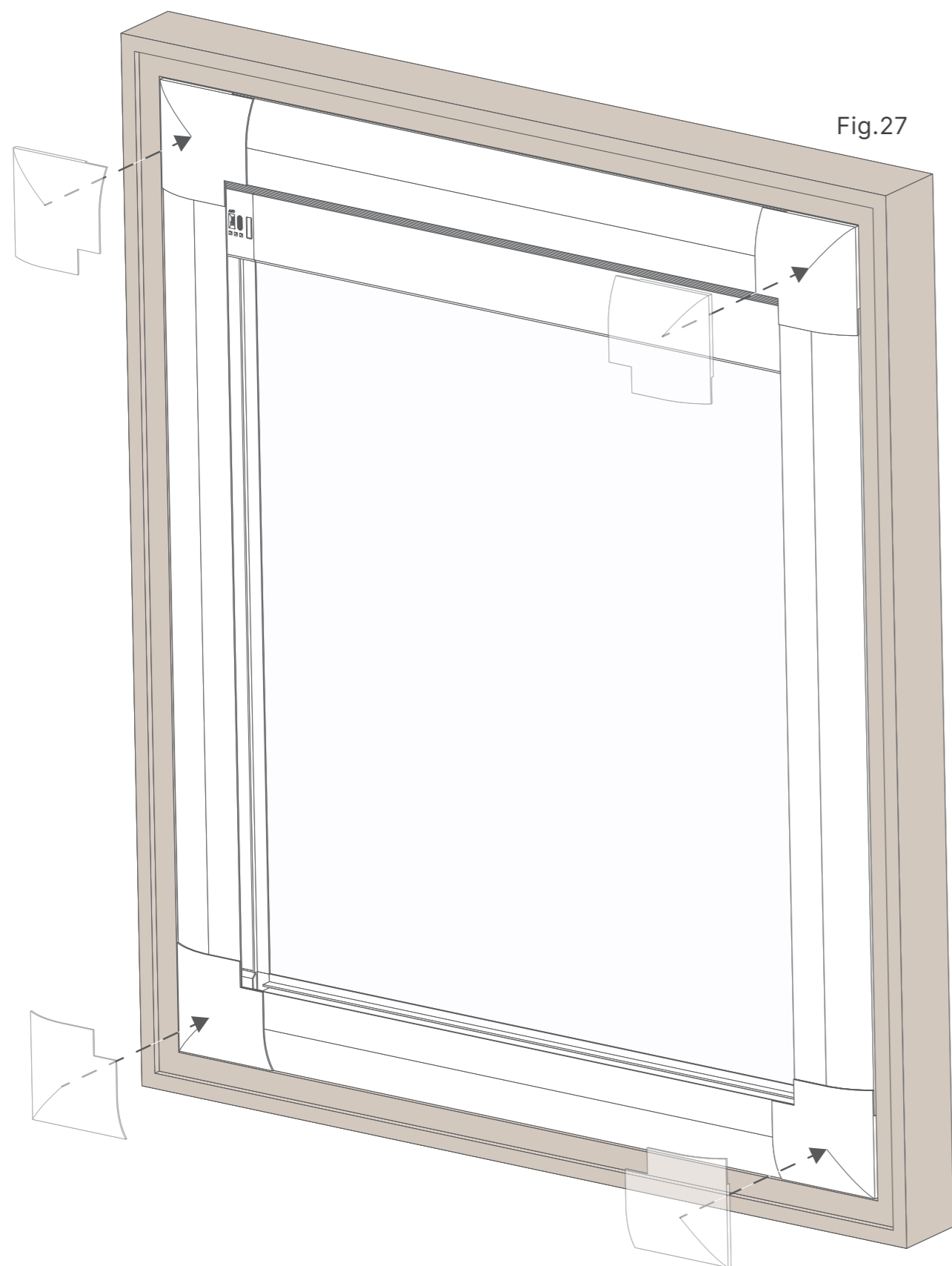


Fig.24

Lift the blind into the recess and slot it into place (Fig.24).



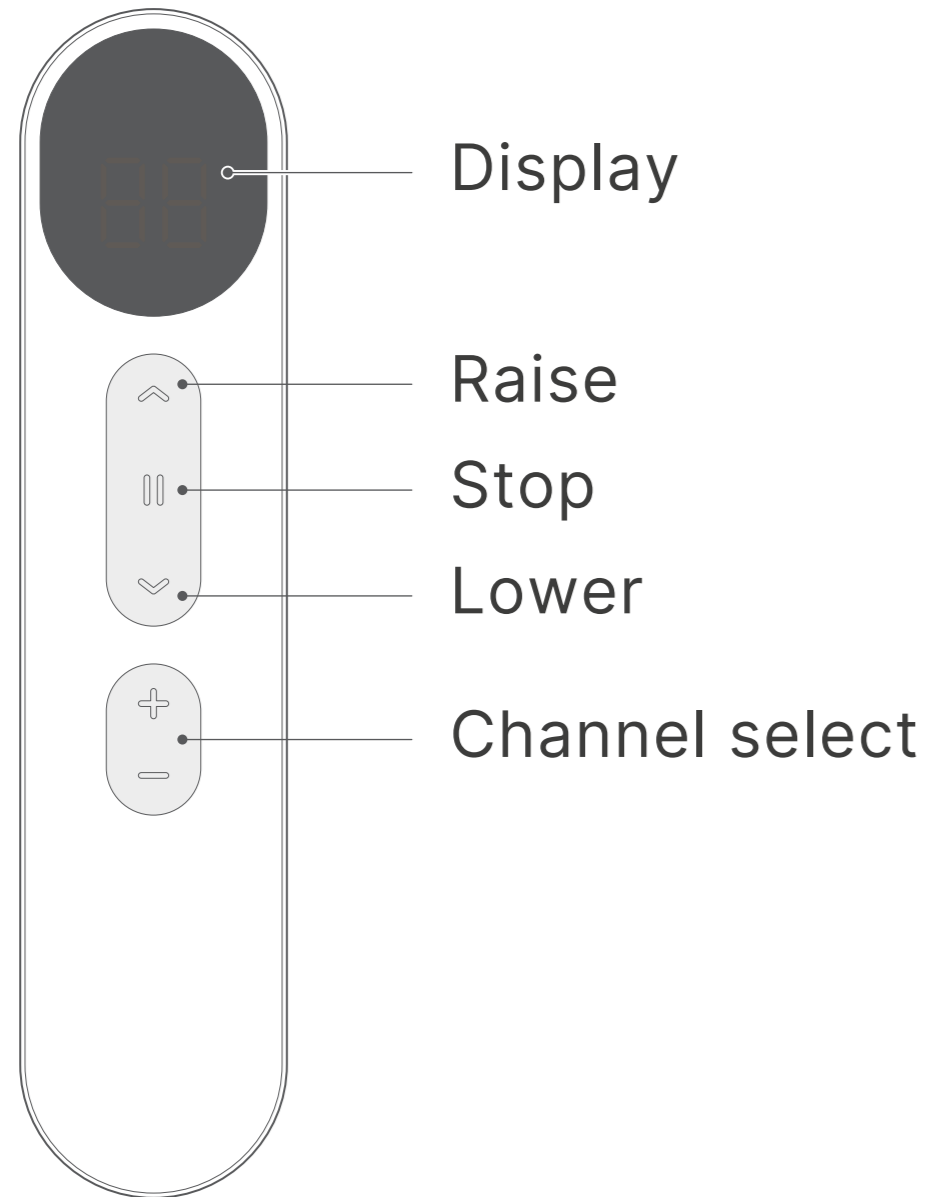
Pressing the blind back against the window, use your Allen key to tighten the ClickLock mechanism at the top (Fig.25) and bottom (Fig.26) of the frame. Turn the Allen key clockwise until the mechanism begins to click.



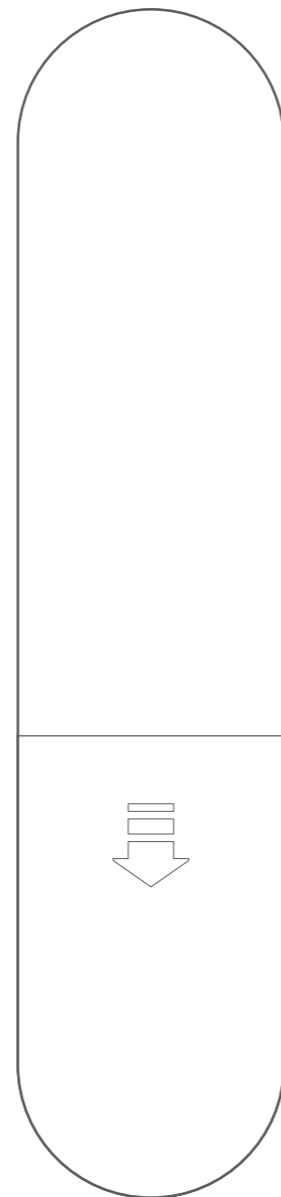
Finally, clip the corner covers over the corners of the frame to finish the installation (Fig.27).

Before using the blind, plug in the charger (Fig.28) and leave the battery to charge until the indicator lights on the blind turn green (Fig.29).

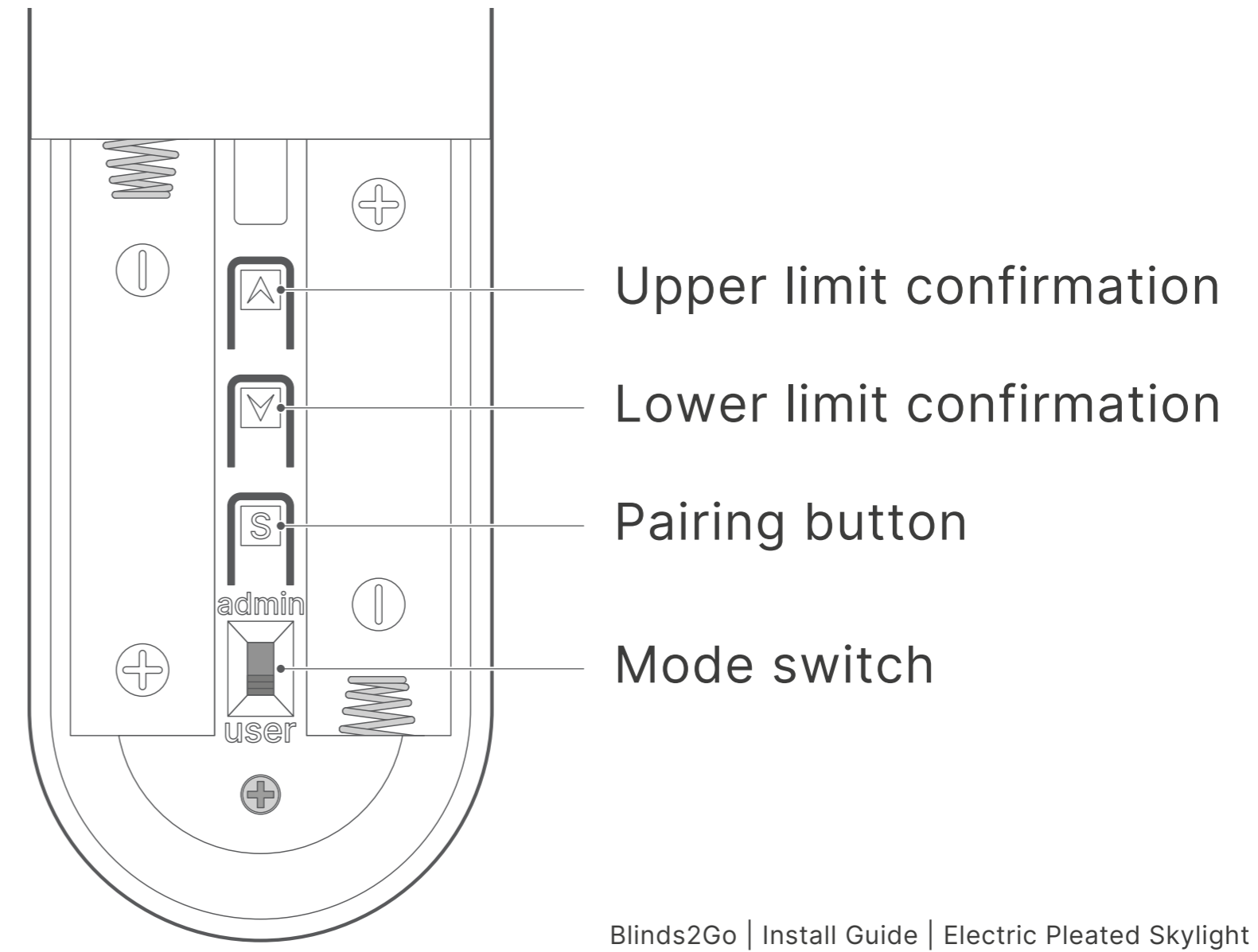
Remote Control (Front)



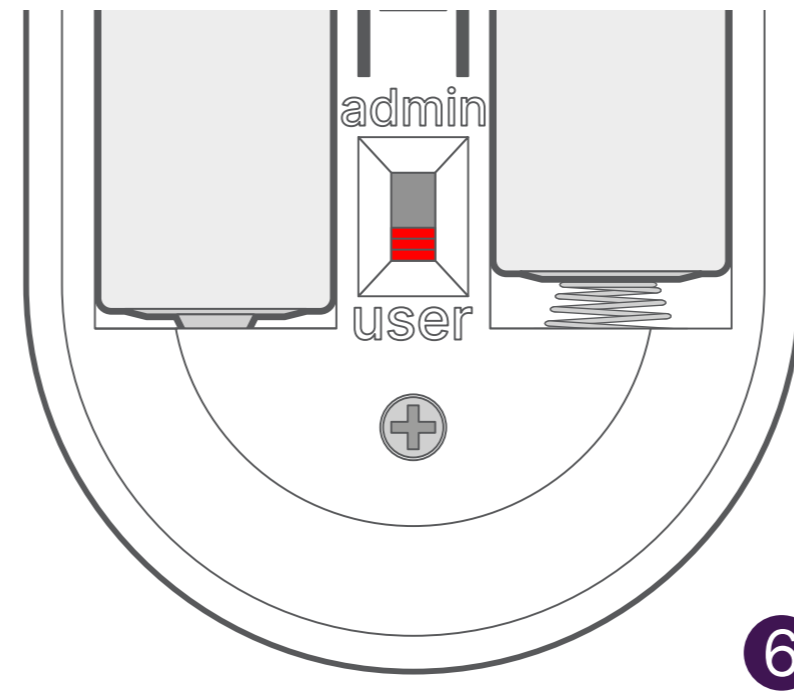
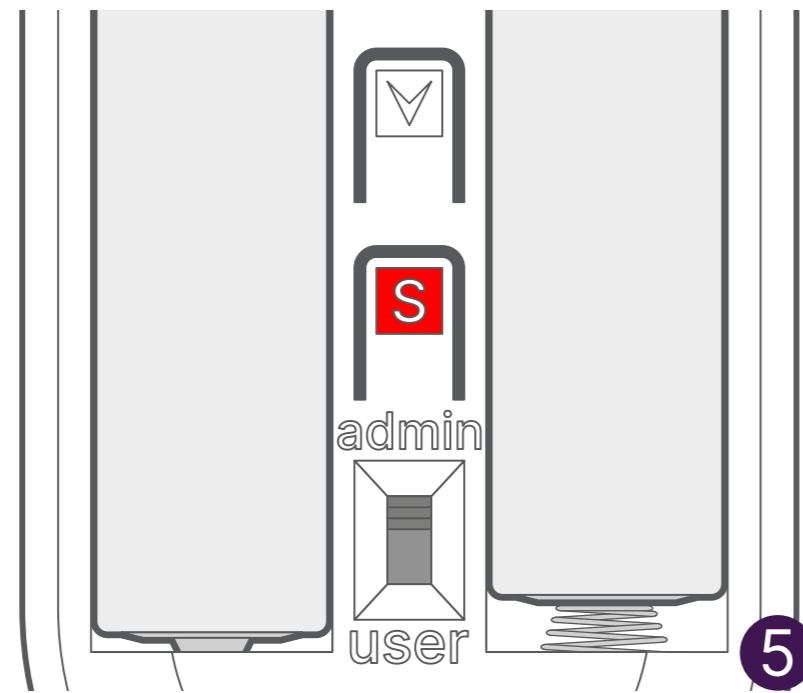
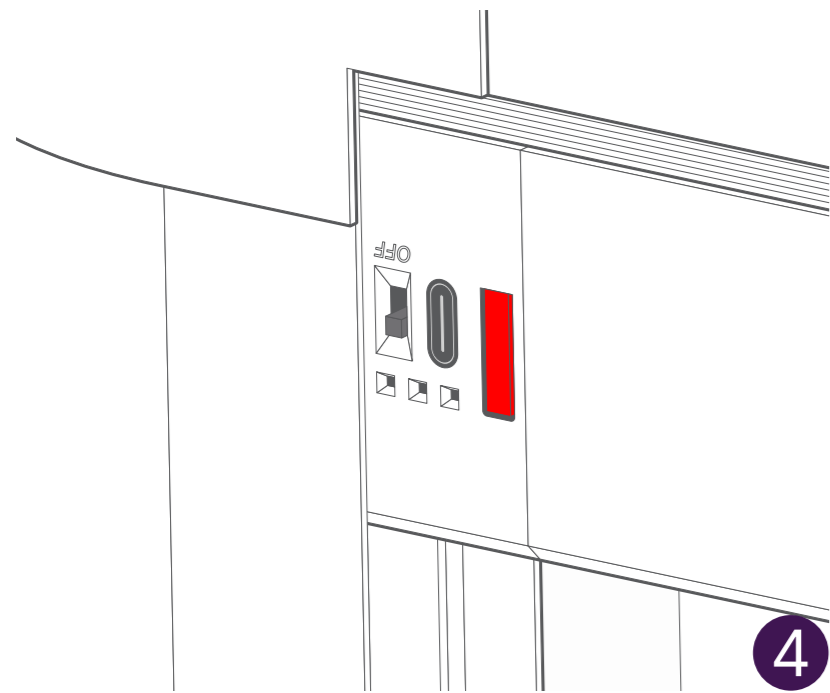
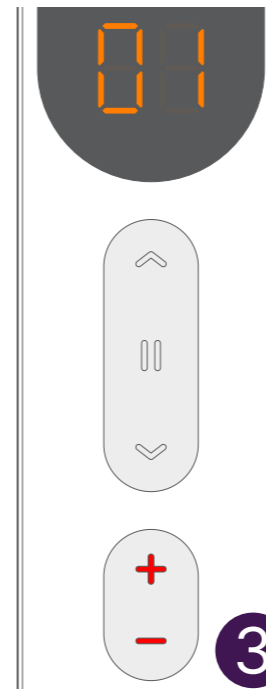
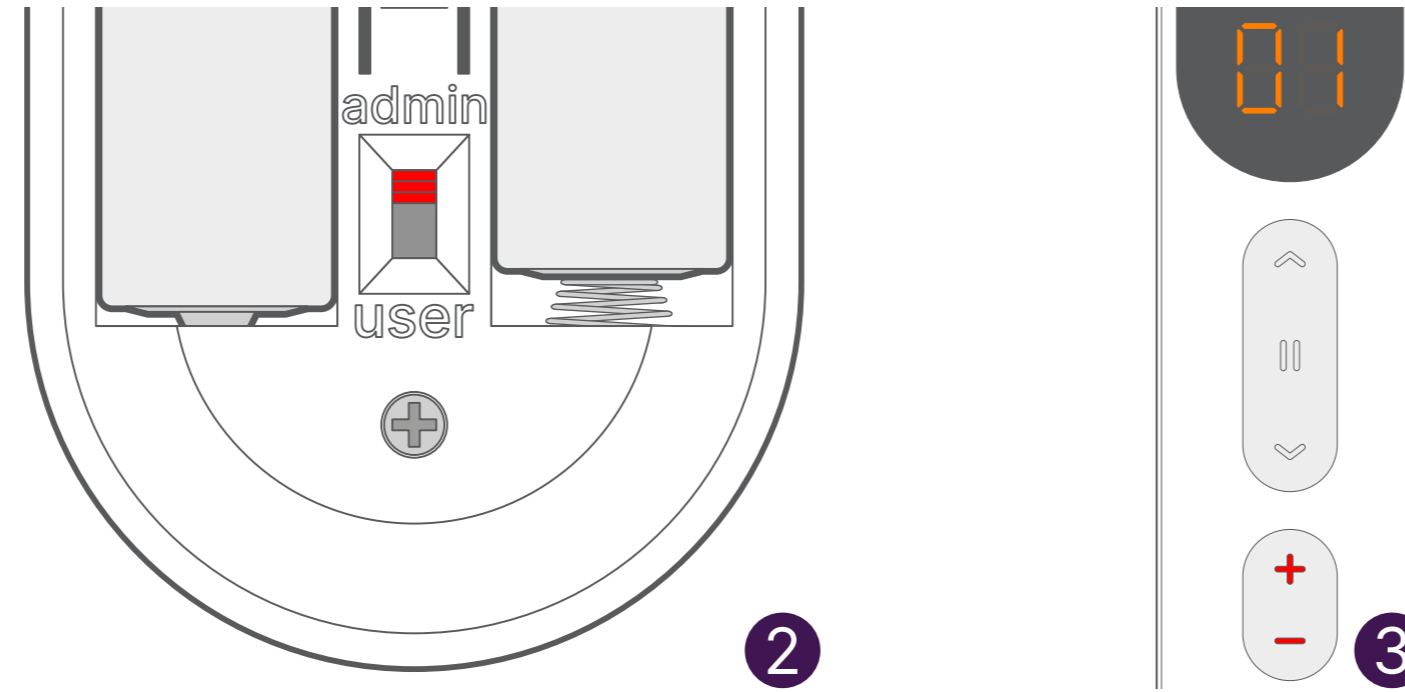
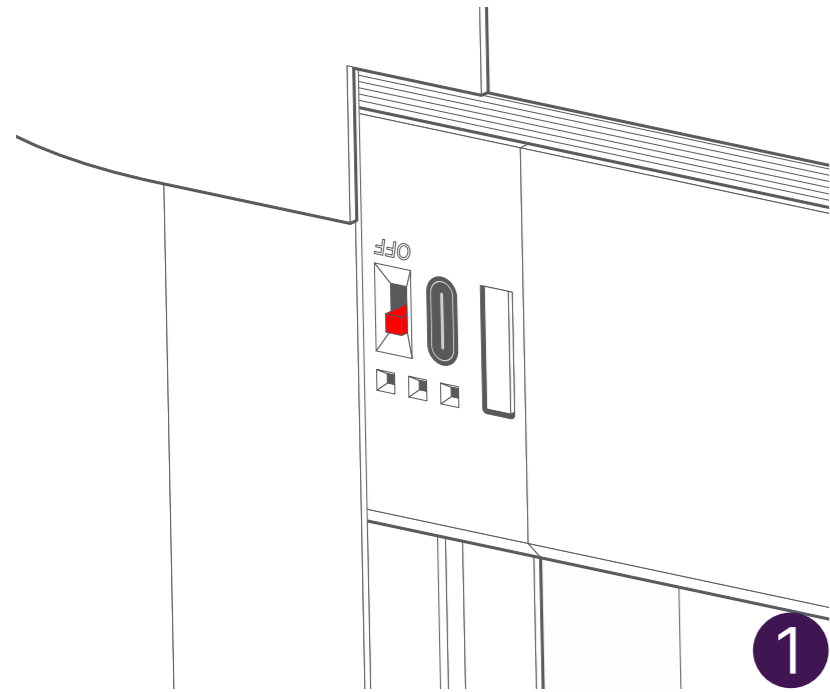
Remote Control (Back)



Remote Control (Back Compartment)



Pairing the remote control to the blind



1. Make sure the blind's motor is switched on.
2. Insert the batteries in the remote and switch it to 'admin' mode.
3. Use the channel select on the remote to set the desired channel.
4. Press and hold the setting button on the blind until it 'jogs' briefly.
5. Immediately press and hold the setting button on the remote, until the blind 'jogs' again.
6. The motor is now paired to the remote, you can switch the remote back to 'user' mode.