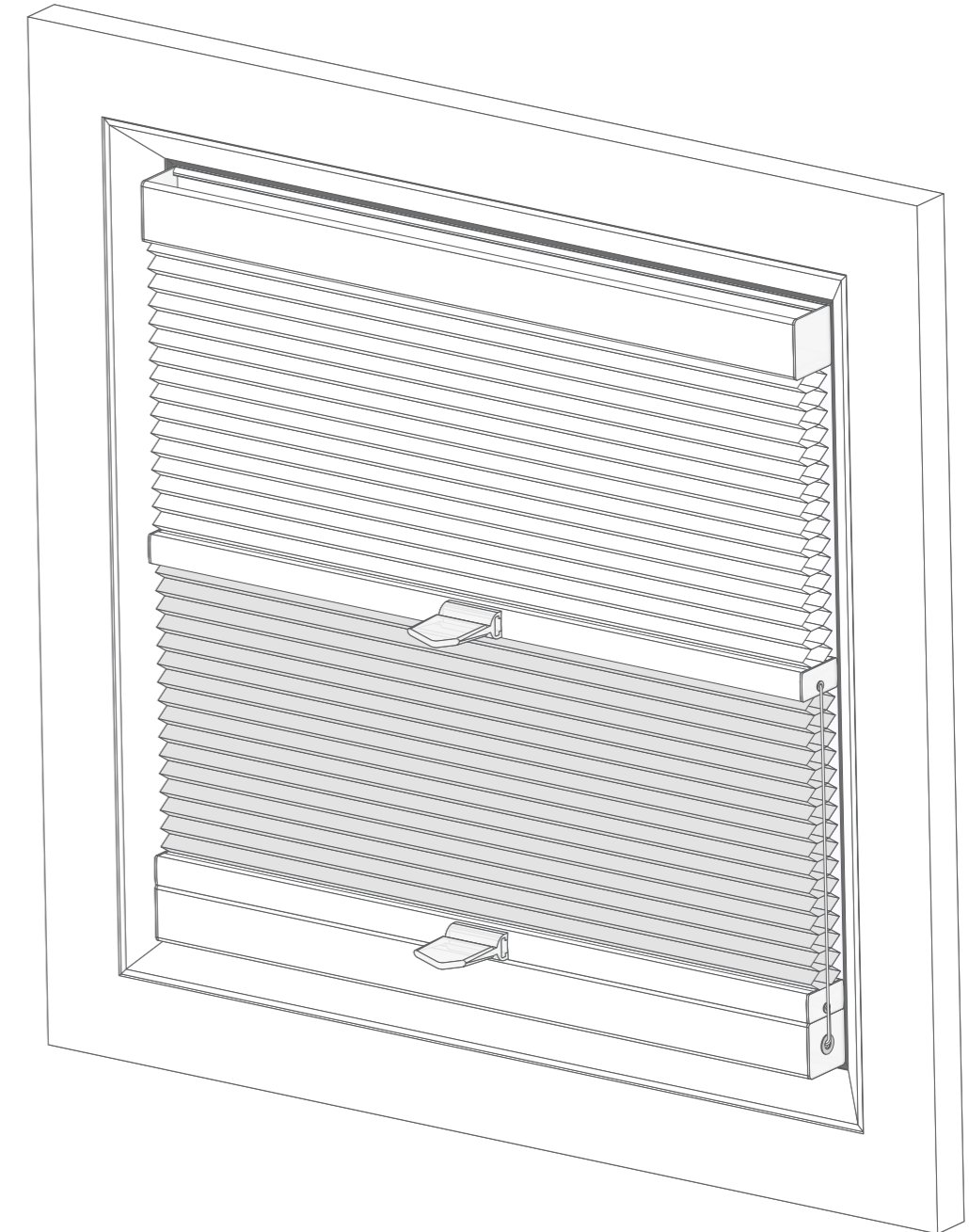


Designed for DIY...

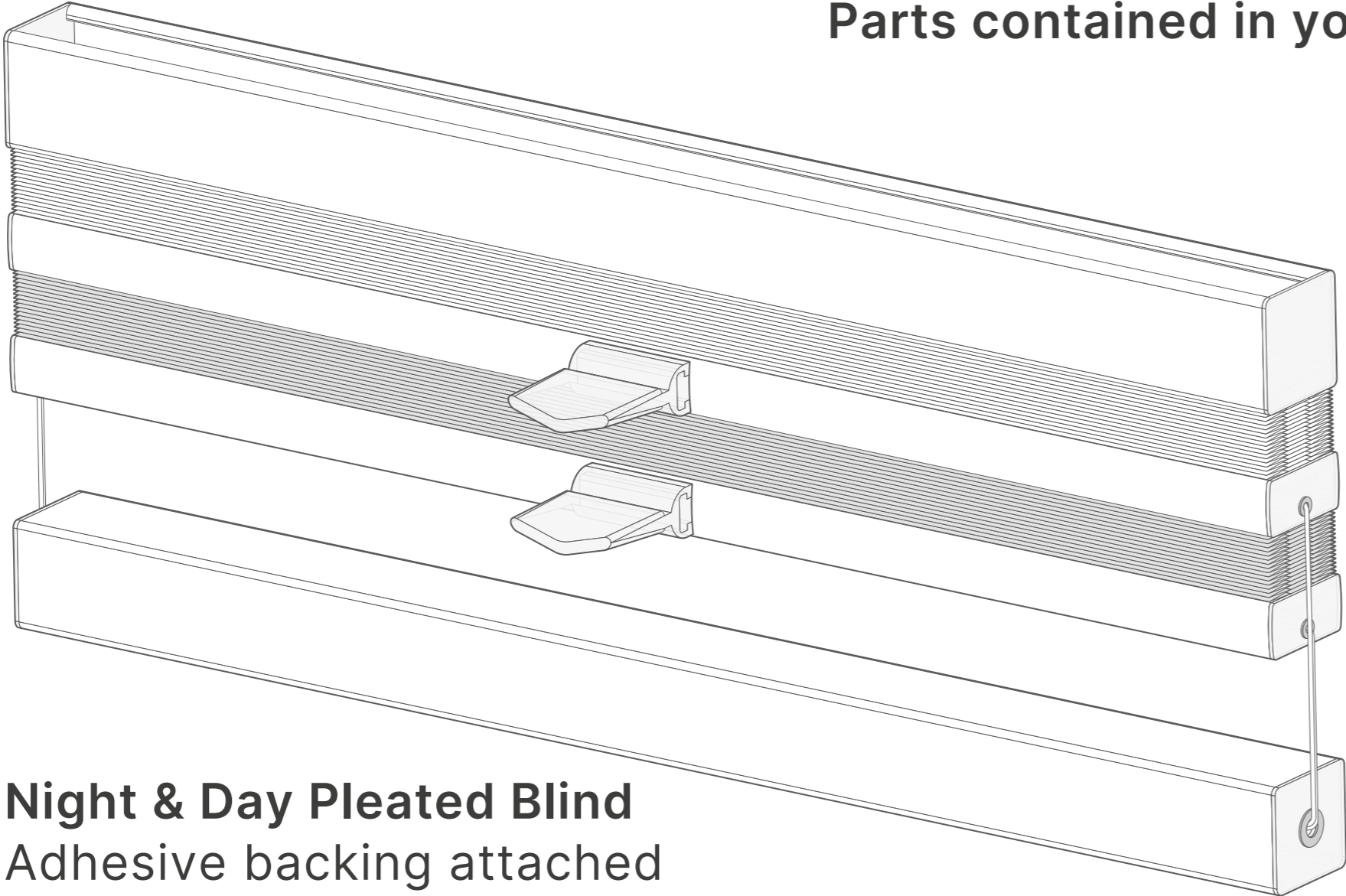
Our Stick2Go Night & Day Pleated Blinds are designed to be installed by you, without specialist fitters, even if you don't have much DIY experience.

Featuring our innovative Stick2Go fitting system, you can install your new blind in minutes with no drilling or messy DIY.

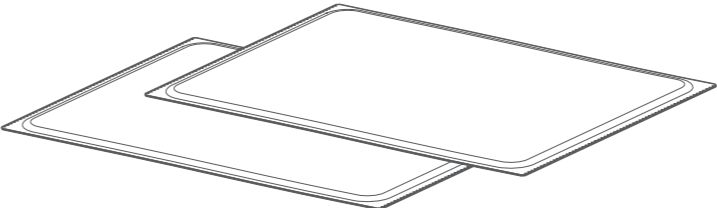
Please read each page of this guide carefully during installation, following along one step at a time.



Parts contained in your order...



Night & Day Pleated Blind
Adhesive backing attached



Alcohol Wipes

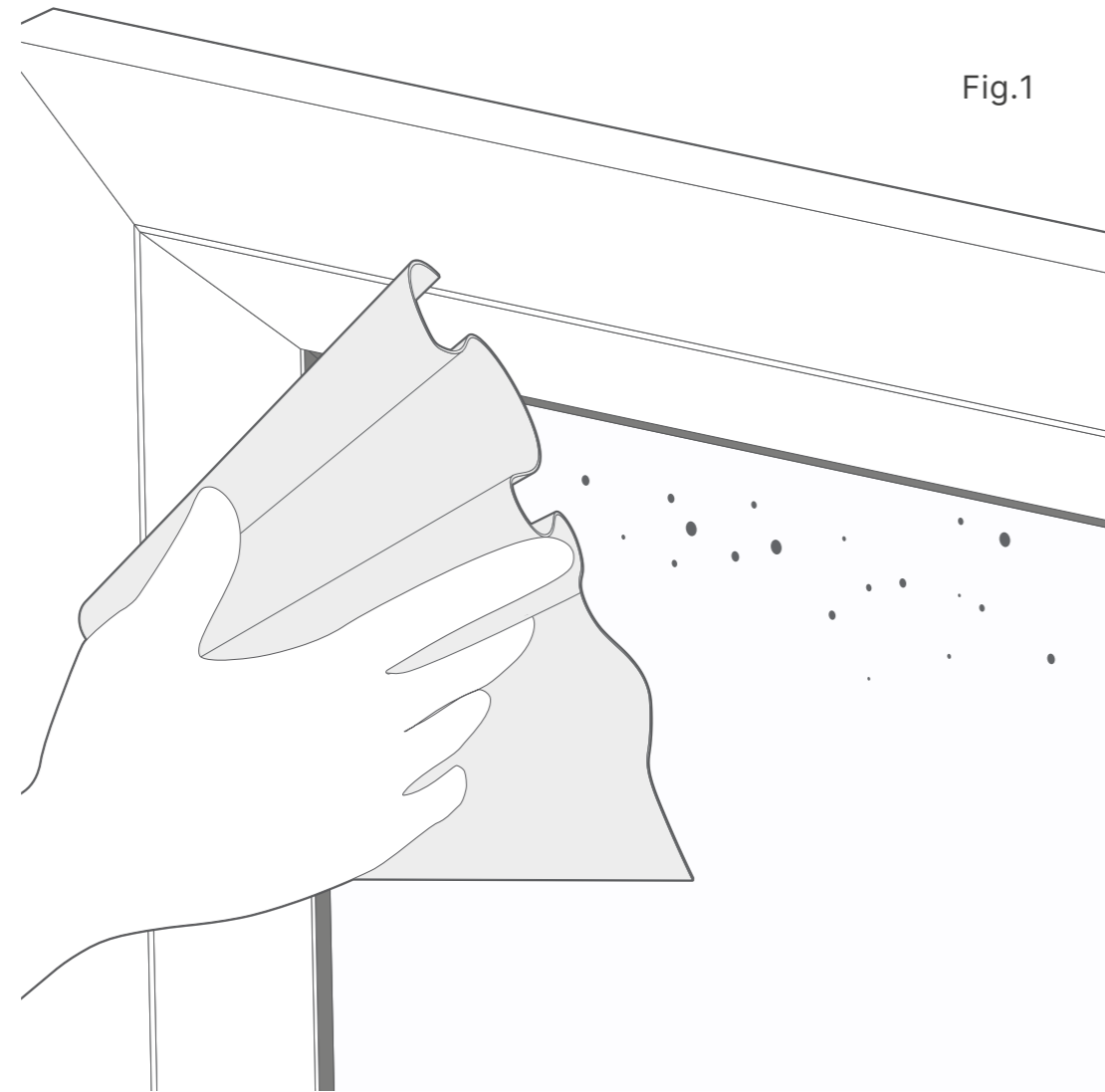


Fig.1

Use soapy water and a cloth, then the alcohol wipes provided, to clean the glass top and bottom (Fig.1). Allow time for the glass to dry fully before moving to the next step.

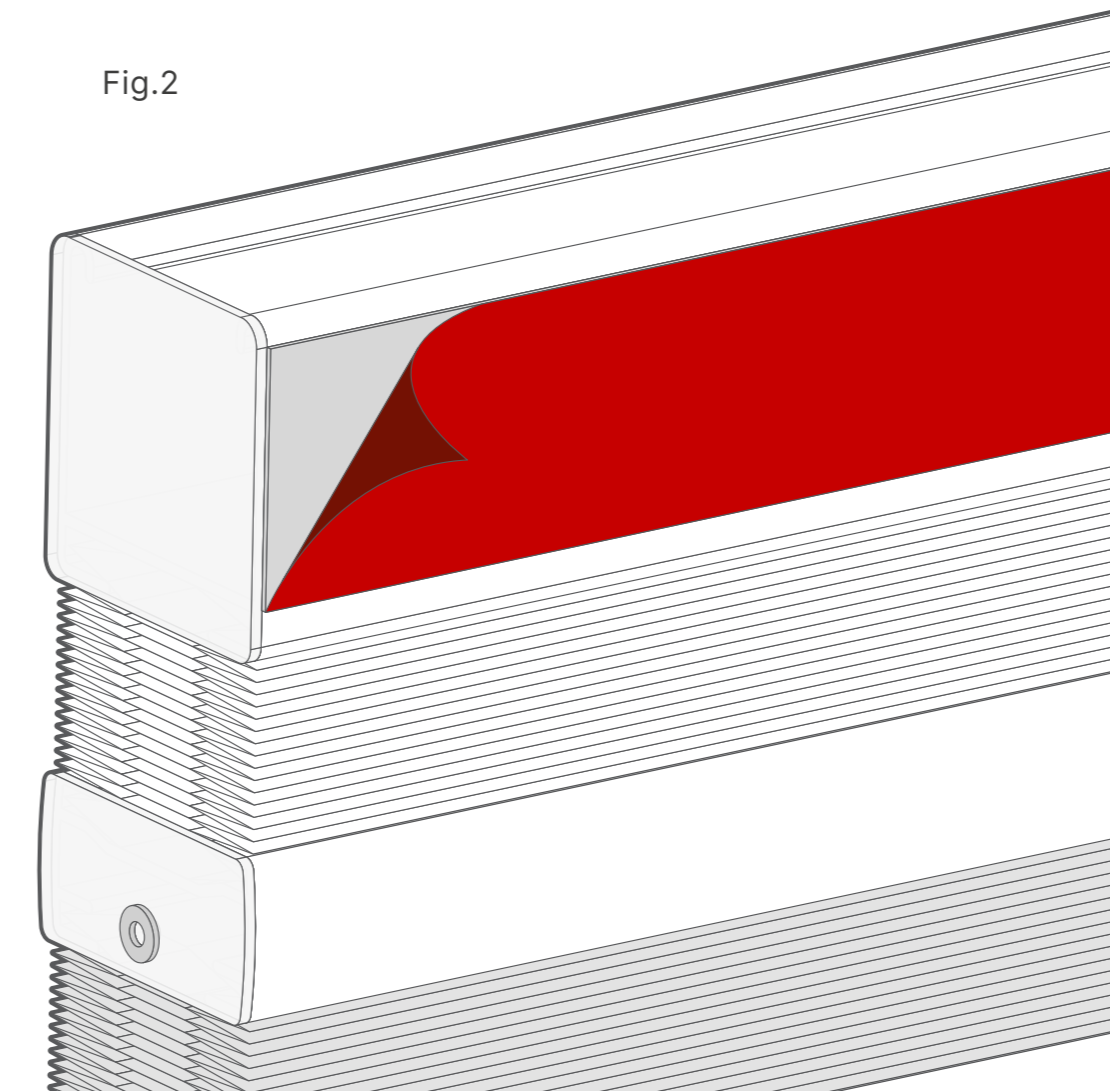
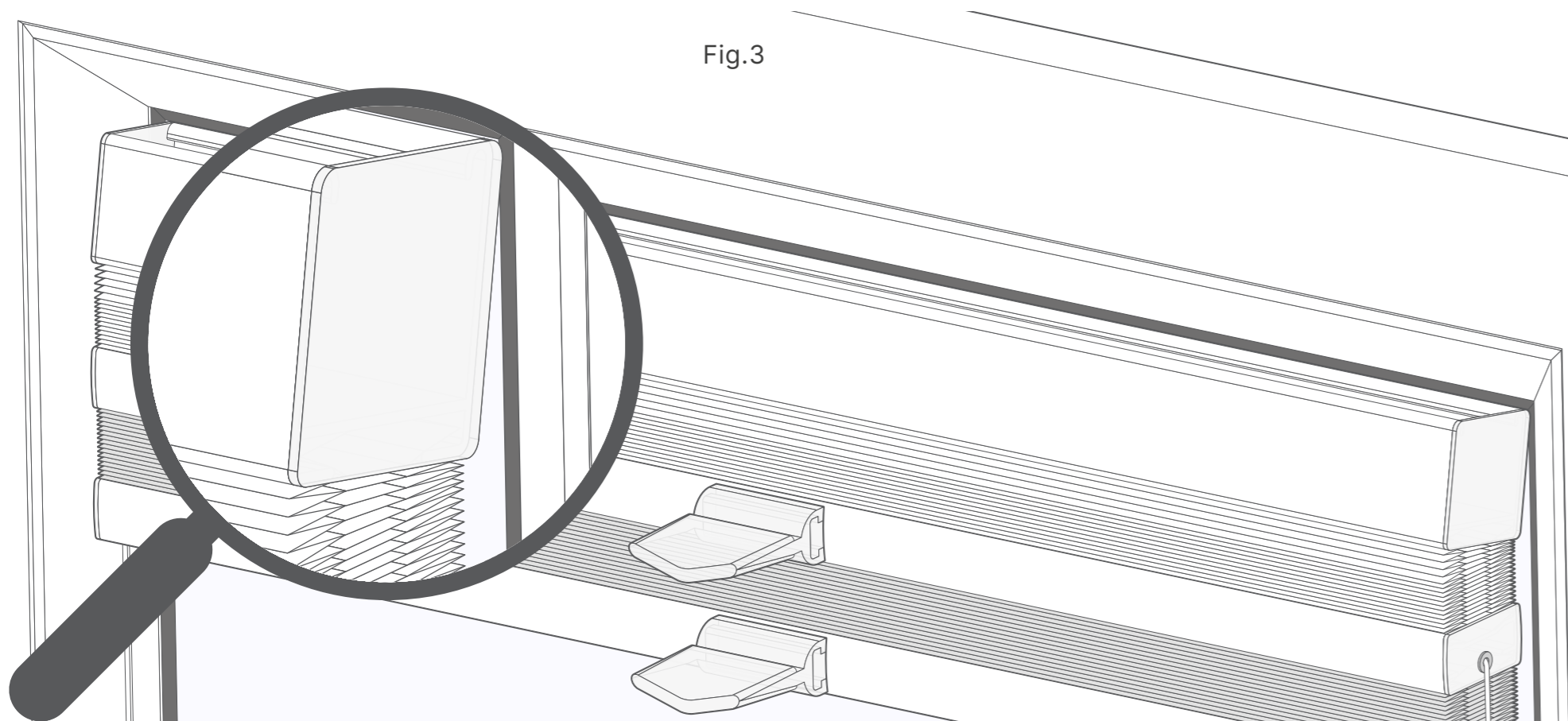
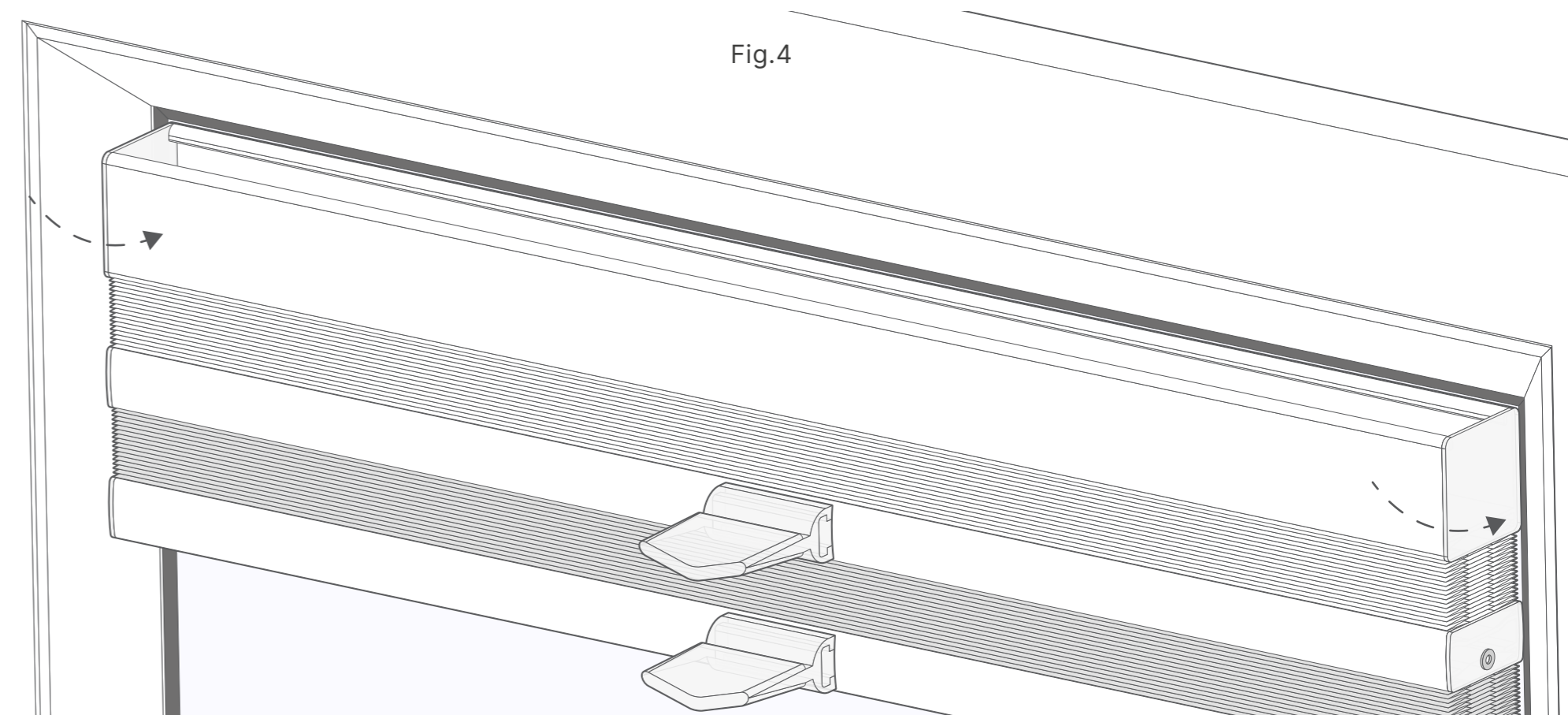


Fig.2

Peel the cover from the adhesive strip on the back of the blind's headrail (Fig.2).



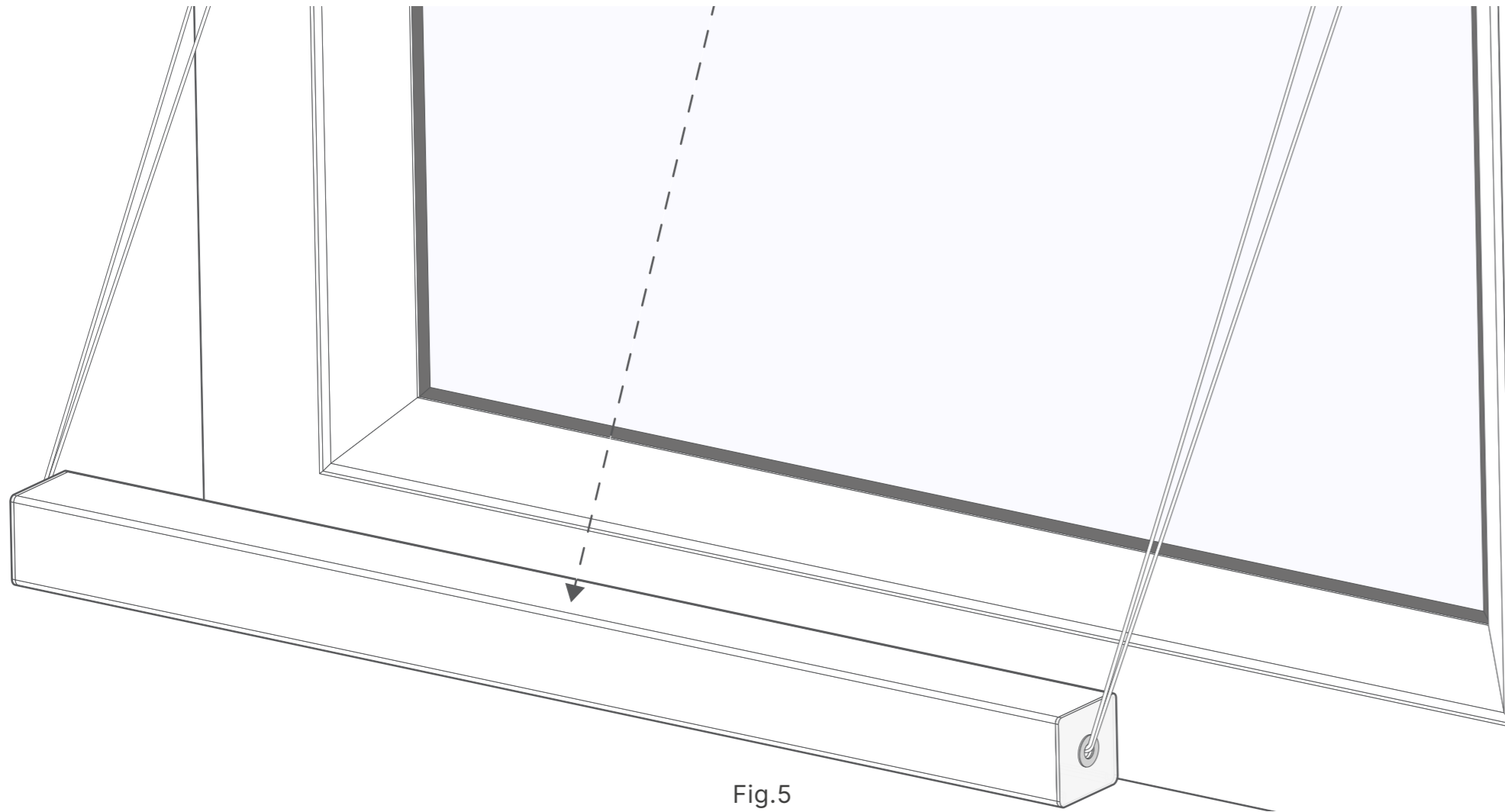
Rest the top of the blind against the top of the glass - do this with the headrail tilted a little so that it doesn't stick whilst you're straightening it up (Fig.3).



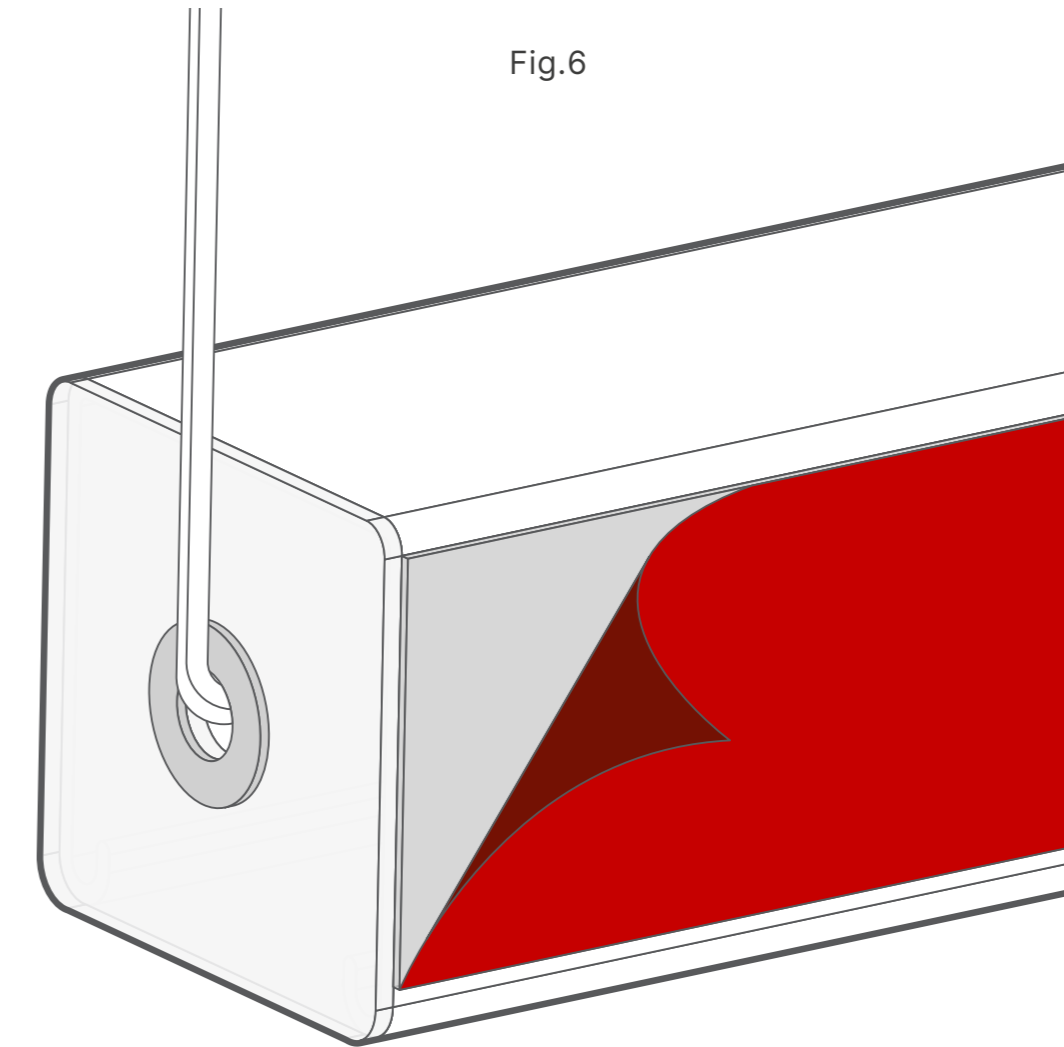
When you're happy with the position, press the headrail back against the glass and hold for around 30 seconds (Fig.4).

After 12 hours the adhesive will be fully cured.





Pull the bottom rail down to stretch out the cords, until the rail is level with the bottom of the glass (Fig.5).



Peel the cover from the adhesive strip on the back of the bottom rail (Fig.6).

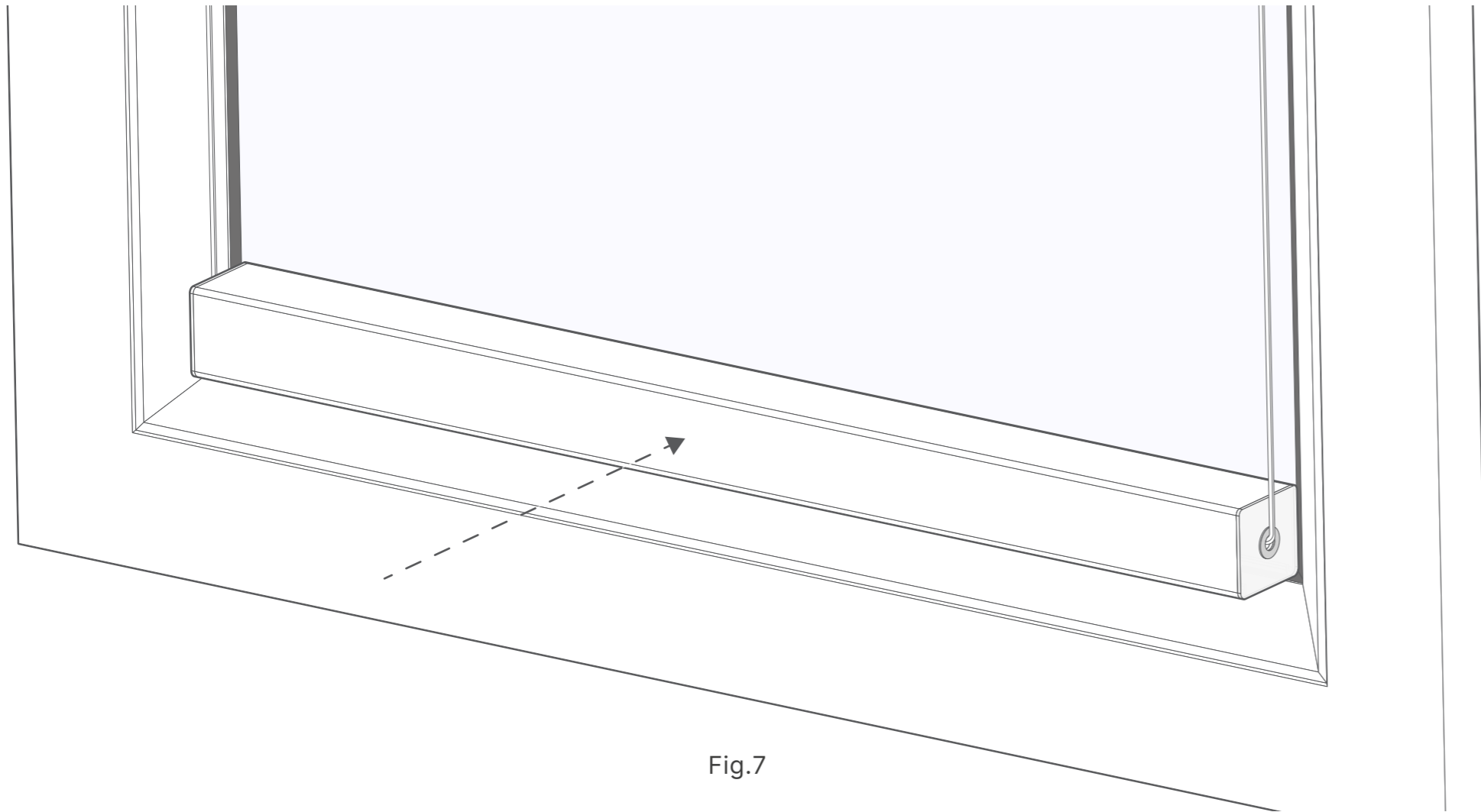
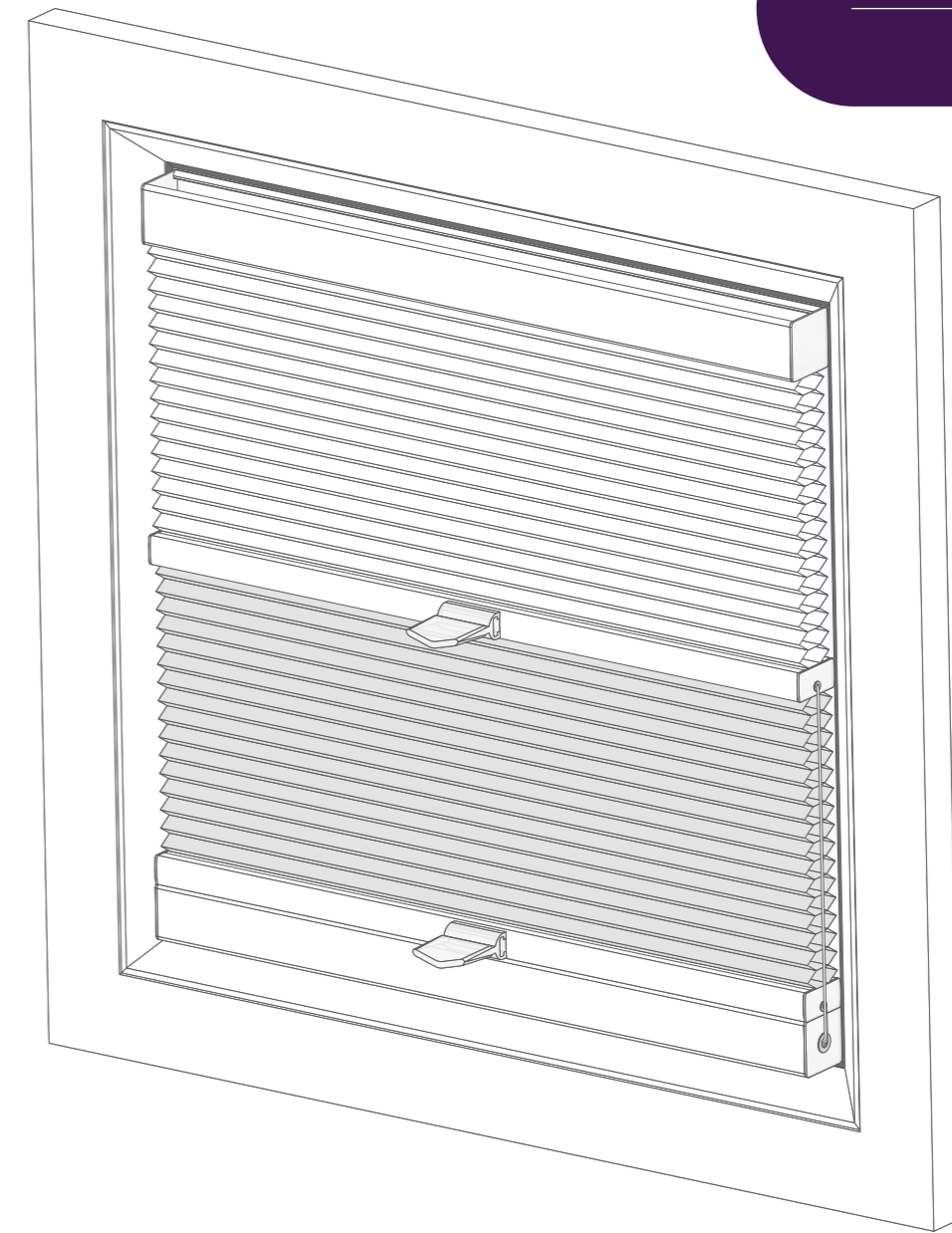


Fig.7

Push the bottom rail back against the glass and hold in place for around 30 seconds to give the adhesive time to set (Fig.7).



And that's it! Your beautiful new blind is installed and ready to enjoy.