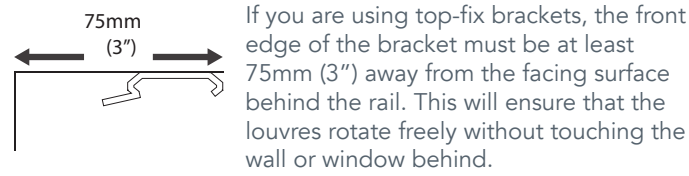
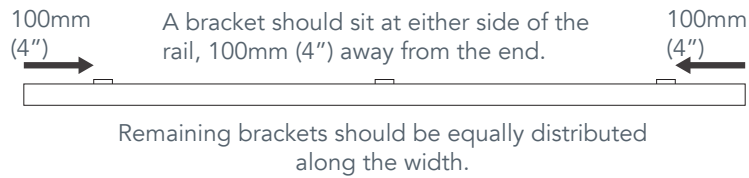
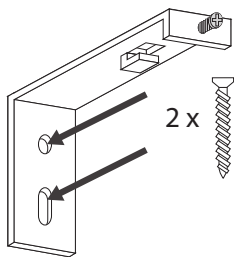


**Position**

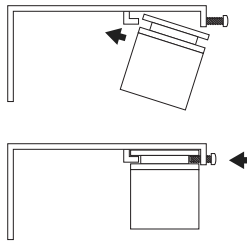


**Install**

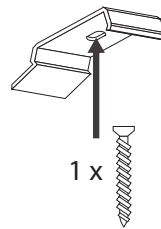


**Face Fix Bracket**

Use two screws to fix the bracket onto the facing surface.

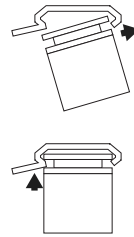


Rest the rear ridge of the rail into the hook on the bracket. Lift the front of the rail up so that it sits flush with the bracket and tighten the front screw so that it secures into the front ridge of the rail.



**Top Fix Bracket**

Use a single screw to fix the bracket into the surface above.

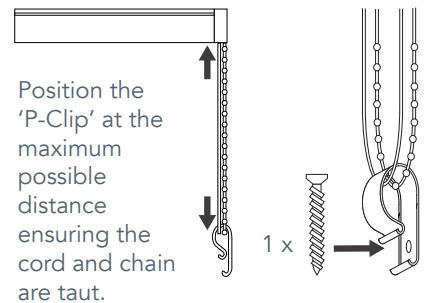


Rest the front ridge of the rail onto the front lip of the bracket. Lift the back of the rail to meet the bracket and press firmly upwards so that it clicks into place securely.

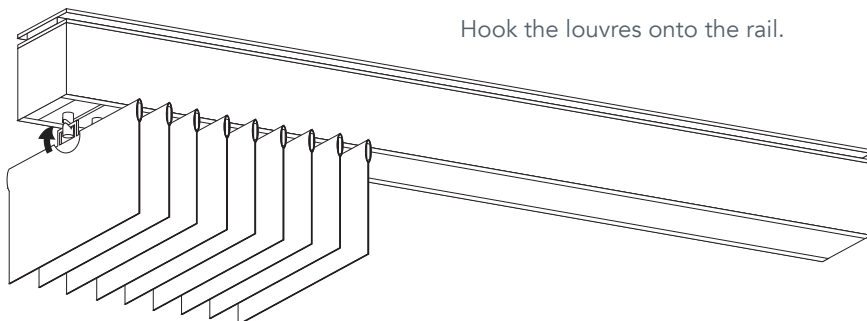
Your vertical blind is fully compliant with the latest safety standards. It has been supplied with a 'P-Clip' tensioning device to keep the cords and the chain child safe.

Slot both the cord and the beaded chain into the 'P-Clip' and secure it to the wall or window frame (if you are fixing to the facing surface then the cord and chain will form a figure of eight, this is fine and will not affect the operation of your blind).


Please note that the 'P-Clip' must be installed. The cord must be kept under tension to prevent it sagging out of the rail when the blind is drawn open.



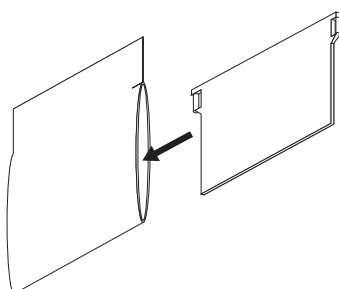
**Assemble**



**Top Tip**



Before hooking the louvres on the rail, use the beaded chain to turn the hooks so that they all face side on. This makes it far quicker to hook the louvres on and also ensures that the louvres will not clash when you first use the blind.



Slide the weight into the pocket at the bottom of the louvre.