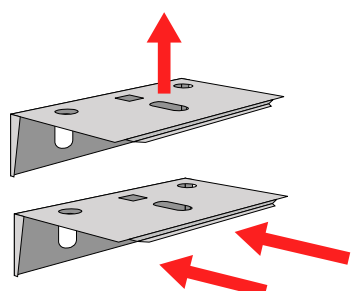


Fitting the brackets



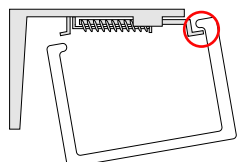
Top Fix:

Use the single oval hole in the centre of the top plate of the bracket when mounting upwards into the ceiling or top of the recessed area.

Face Fix:

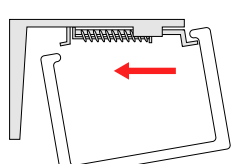
Use the two holes on the rear plate of the bracket when mounting face-on onto a wall or window frame.

Fitting the blind



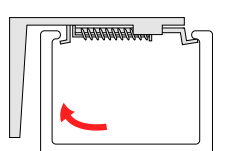
Step 1:

Locate the front lip of the rail onto the front lip of the brackets, hold the rail at a slight angle while doing so.



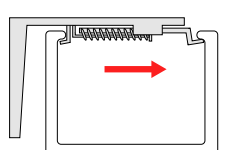
Step 2:

Push the rail towards the back of the bracket whilst still holding it at a slight angle. The springs will contract and a small amount of pressure is required.



Step 3:

While still pressing on the rail, tilt it so that it is level and clears the hook on the rear of the bracket.



Step 4:

Gently release the rail, the springs will expand and lock the blind into position.

Additional Information

The first time you lower the blind you may find that the drop appears short. This is normal and the blind should be left down for 24 hours so the compressed pleats can expand and settle. Please do not attempt to make any adjustment to the blind or the cords.

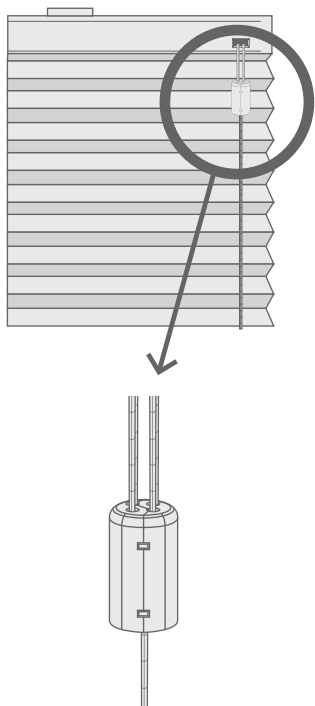
Use a damp sponge or cloth to clean the blind. Do not soak the blind as the pleats can lose their shape. Typically using a brush attachment and carefully vacuuming the blind is all that is required to maintain the appearance of the product.

If you need to remove the blind from the window, push the headrail back towards the window. This will disengage the rail from the rear hook of the bracket and allow the blind to be easily removed.

Child Safety

Cord Condenser

A breakaway cord condenser is pre-fitted to the lift cords so that when a horizontal force is applied to the cords entering the condenser, it safely breaks away eliminating any hazardous loops.



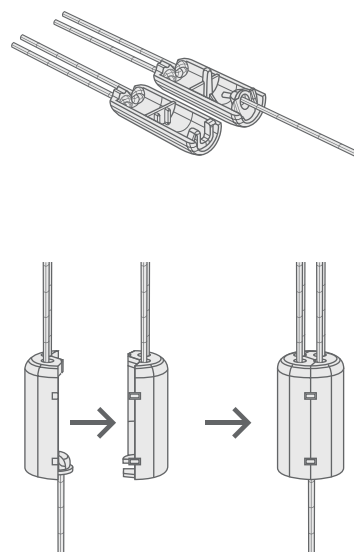
If the cord condenser is pulled apart:

Untangle and untwist cords.

For 2 cords: Press the cord condenser together until it is fully closed.

For 3 cords: Place the loose cord in the opening in one half of the cord condenser and press the cord condenser together until it is fully closed.

For 4 cords: Place one of the loose cords in the opening in one half of the cord condenser, the remaining loose cord in the opening in the other half and press the cord condenser together until it is fully closed.

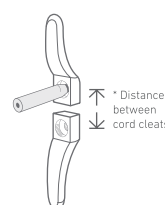


Cord Safety Cleat

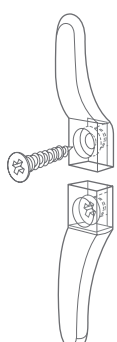
The safety cleat shall be installed as close to the headrail as possible and in all cases not less than 1500mm from the floor. The cord must be fully accumulated around the safety cleat(s) when the blind is not in use. Use the table below to determine the distance required between the cleats to fully accumulate the cords when the blind is fully raised.

Drop of Blind	*Distance between cord cleats (centre to centre)
1-1000mm	100mm
1001-2000mm	150mm
2001-3000mm	300mm

Place the safety cleat in the desired position on the wall and mark the positions of the holes with a pencil.



Mark the hole positions and drill as required. Use the screws provided to attach the safety cleat to the wall.



Wrap the cords around the cord cleats in a figure of 8. When the cords are fully accumulated ensure they are secure so when any cord is pulled no excess cord is released.

